

TruSet QUICK REFERENCE GUIDE

Boxes represent wheel module zones. Select (Check) a zone to make individual adjustments. Level the frame as the operator manual instructs. Enter the field, lower the frame until an opener contacts the soil, then adjust all other zones until all openers contact the soil.

Adjusts openers higher in the selected zone.

Adjusts openers lower in the selected zone.

Permanently saves all entries.

Cancels the temporary entries for all zones.

Disables the down force system and displays two buttons in lower screen area.

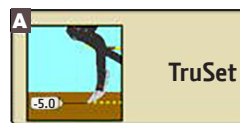


Retracts the openers to the highest position.



Enables the down force system.

TruSet



TruSet – Main Menu button



Run Screen – Softkey



Setup – Softkey



Automation STOP – Select to stop automatic control of TruSet features.



Diagnostics – Select to enter diagnostic information.

Select the Main Menu button >> TruSet button >> Run Screen softkey to enter the run screen.

Select Setup softkey >> Other tab >> SCV (Selective Control Valve) I in the drop down. Verify that frame control hoses are connected to SCV I on tractor.

Select to enter calibration screens and to verify the tractor SCV controlled by automation.

	Valve	Protocol
	I	EHEC2
	Lever	EHEC2

Upper alarm limit: 11 lb

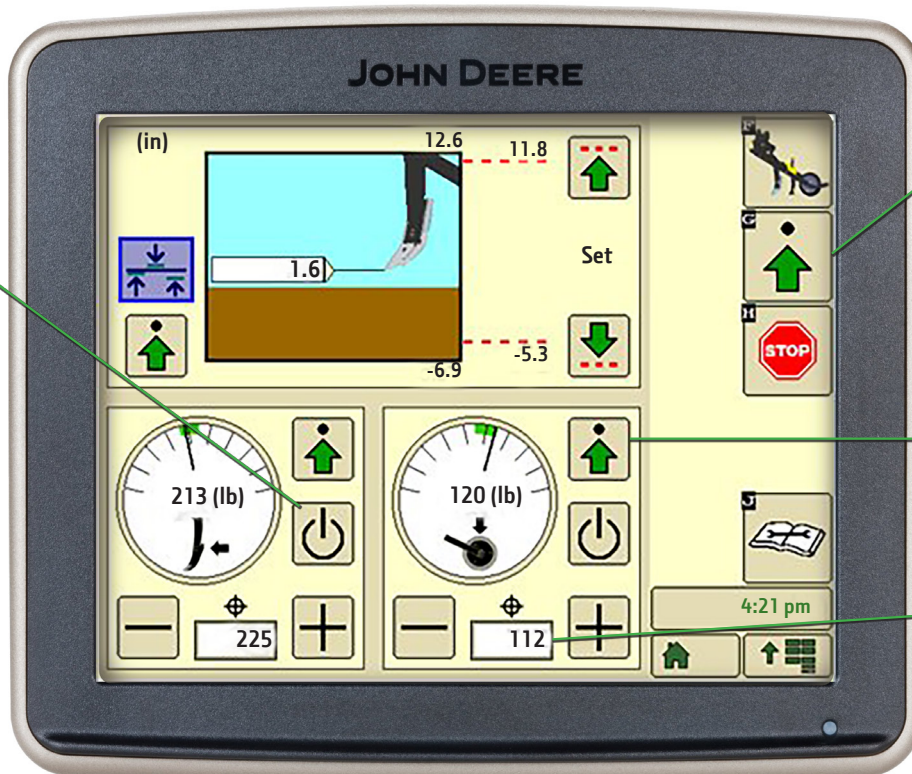
Target Force: 112 lb

Lower alarm limit: 11 lb

Increase: 10 lb

Decrease: 2 lb

Press plus or minus button to increase or decrease Target Force.



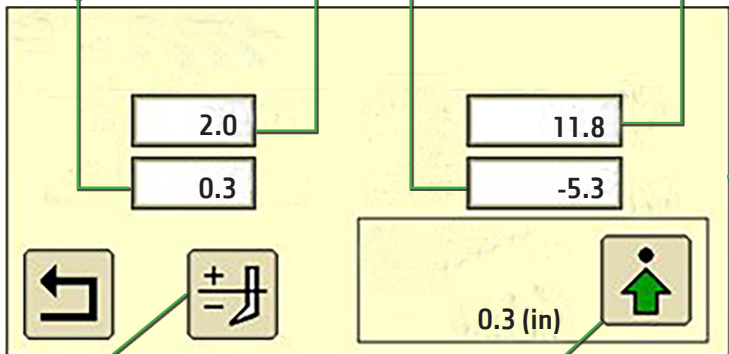
TruSet QUICK REFERENCE GUIDE

Distance that openers raise when the SCV lever is briefly flicked into the extend position.

Distance that openers lower when the SCV lever is briefly flicked into the retract position.

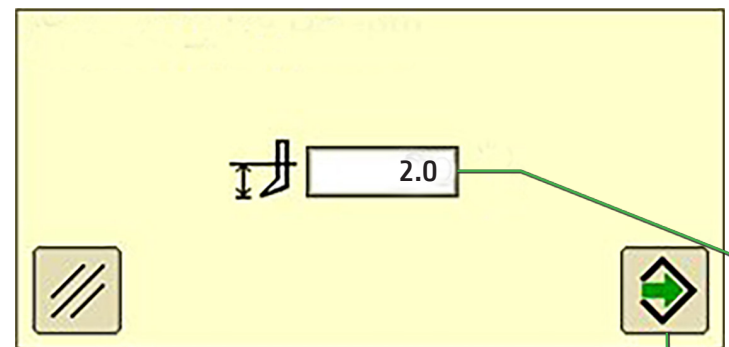
Manual entry for upper setpoint.

Manual entry for lower setpoint.



Press to change all depth values from positive to negative or negative to positive.

Adjust the depth value displayed on the run screen.

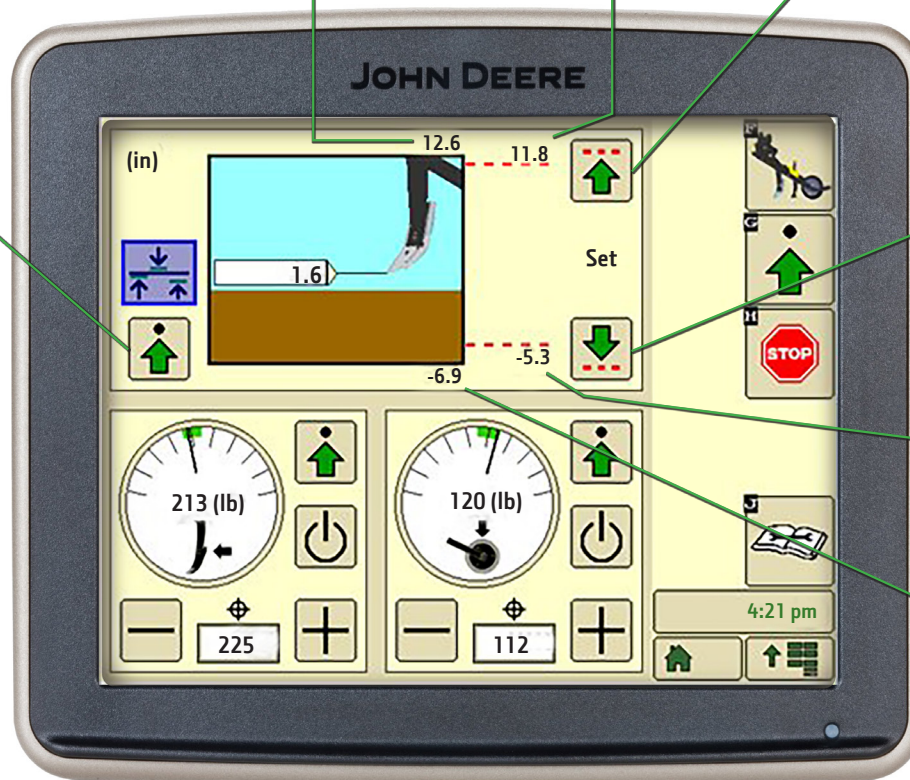


Press to move to the acceptance screen and approve the change.

Maximum raise height

With SCV in detent, the frame stops at the upper setpoint.

Raise openers to a chosen height. Press the upper setpoint arrow to set the position.



Lower openers to application depth while moving. Press the lower setpoint arrow to set the position.

With SCV in detent, the frame stops at the lower setpoint.

Maximum lowered height

Level the machine as the operator manual instructs. Enter the field and lower the openers until the tip of a fertilizer opener contacts the soil. Adjust the Display Depth to zero. Another option is to measure the current distance from soil to tip and enter that value.