



401B UTILITY LOADER

FEATURES

62 SAE net hp (46.2 kW)

Entire loader assembly can be quickly detached and remounted

Low center of gravity (Turf Loader)

Adjustable front and rear tread

8-speed transmission w/hydraulic direction reverser

Self-adjusting wet-disk brakes

Inboard planetary final drives

Foot-operated differential lock

Power steering

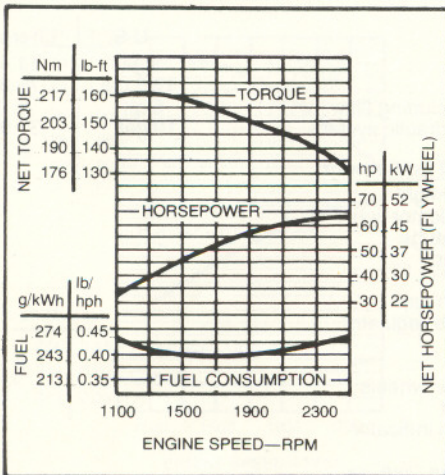
Roll-over protective structure (ROPS)

ADD VERSATILITY WITH:

Mowers

Landscape tools

ENGINE PERFORMANCE

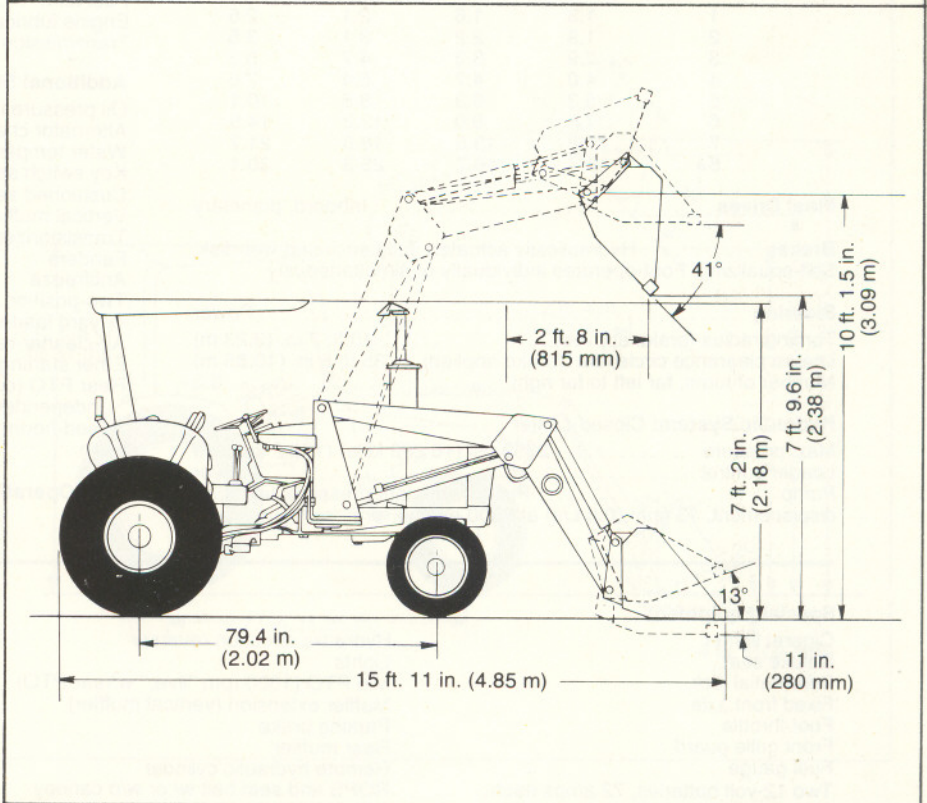


LOADER SPECIFICATIONS

Buckets:	Nominal Heaped Capacity	Width
	¾ cu. yd. (0.57 m³)	73.8 in. (1.58 m)

Operating Information:

Breakout force	4000 lb. (17.92 kN) (1815 kg)
Lifting capacity, full height	2500 lb. (1134 kg)
Raising time to full height	5.1 sec.
Bucket dump time	2.9 sec.
Lowering time (power)	3.0 sec.
Rollback time	2.6 sec.
Float-down time	6.1 sec.
Minimum recommended rear ballast	2000 lb. (910 kg)



401B UTILITY LOADER SPECIFICATIONS

(Specifications and design subject to change without notice. Wherever applicable, specifications are in accordance with ICED and SAE Standards. Except where otherwise noted, these specifications are based on a unit equipped with 14.9-24, 6-ply-rating rear tires; 7.50/8.00-16, 6-ply-rating front tires; ¾ cu. yd. (0.57 m³) bucket; full fuel tank, 175-lb. (79 kg) operator and standard equipment.)

Power (@ 2500 engine rpm):	SAE	DIN
Gross	66 hp (49.2 kW)	
Net	62 hp (46.2 kW)	65.9 hp (48 kW)

Net engine flywheel power is for an engine equipped with fan, air cleaner, water pump, lubricating oil pump, fuel pump, alternator, and muffler. Gross engine power is without fan. Flywheel power ratings are under SAE standard conditions of 500-ft. (150 m) altitude and 85°F (29.5°C) temperature and DIN 70 020 standard conditions of 760 mm Hg barometer (sea level) and 20°C. temperature.

Engine: John Deere 4-cylinder diesel, valve-in-head, 4-stroke cycle	
Bore and stroke	4.02×4.33 in. (102×110 mm)
Piston displacement	219 cu. in. (3,589 L)
Compression ratio	16.2 to 1
Maximum torque @ 1300 rpm	160 lb-ft (217 Nm) (22.1 kg-m)
NACC or AMA (U.S. Tax) horsepower	25.65
Main bearings	5
Lubrication	Pressure system w/full-flow filter
Cooling	Pressurized w/thermostat and fixed bypass
Fan	Suction
Air cleaner	Dry
Electrical system	12-volt w/alternator
Battery (12 volt) 72 amps	Reserve capacity: 110 minutes
Alternator	35 amps

Engine Clutch:

Collar shift transmission	Foot-operated,
single 11 in. (279 mm) plate	
Hydraulic direction reverser	Foot-operated,
single 10 in. (254 mm) plate	

Transmission:

Constant mesh, 8 forward speeds, 4-reverse with helical gears and sliding collars; mechanical shuttle. Optional hydraulic direction reverser provides 8 speeds forward and 8 reverse: hydraulic wet clutches, no clutching required.

Gear:	Travel Speeds			
	mph		km/h	
	Fwd.	Rev.	Fwd.	Rev.
1	1.3	1.6	2.1	2.6
2	1.9	2.2	3.1	3.5
3	2.9	3.3	4.7	5.3
4	4.0	4.7	6.4	7.6
5	5.3	6.3	8.5	10.1
6	7.6	9.0	12.2	14.5
7	11.2	13.5	18.0	21.7
8	15.7	18.7	25.3	30.1

Final Drives Inboard, planetary

Brakes Hydraulically actuated, fully enclosed wet-disk. Self-equalizing. Foot-operated individually or simultaneously

Steering Power

Turning radius (brake applied)	10 ft. 7 in. (3.23 m)
Loader clearance circle, dia. (brake applied) ..	35 ft. 6 in. (10.85 m)
Number of turns, far left to far right	3.3

Hydraulic System: Closed-center

Max. pressure	2350 psi (16 203 kPa) (165.2 kg/cm ²)
Loader control	2-lever
Pump	Piston, constant pressure, variable-displacement, 13 gpm (0.8 L/s) at 2500 engine rpm

Hydraulic Cylinders:	Bore	Stroke
Boom	2.25 in. (57 mm)	33.28 in. (845 mm)
Bucket	2.25 in. (57 mm)	24.36 in. (624 mm)
Cylinder rods	Ground, heat-treated, chrome-plated, polished	
Boom cylinder rods	1.5 in. (38 mm) dia.	
Bucket cylinder rods	1.25 in. (32 mm) dia.	

Tires:	Front	Rear
Turf	27-9.50-15, 10-ply-rating, 11 Terra-tires	21.5L-16.1, 6 PR, R3

Utility	11L-15, 8-ply-rating, F3 7.50/8.00-16, 6-ply-rating F3	14.9-24, 6-ply-rating, R4 14.9-24, 6-ply-rating, R1 16.9-24, 6-ply-rating, R3 17.5L-24, 8-ply-rating, R4
---------------	---	---

Front Axle Swept-back, adjustable

Wheel Treads (dependent on tires and front axle):

Front	49 to 74 in. (1.25 to 1.88 m)
Rear	48 to 76 in. (1.22 to 1.93 m)

Dimensions:

Height to top of hood	4 ft. 7 in. (1.40 m)
Overall height to top of muffler	6 ft. 7 in. (2.01 m)
Overall height to top of canopy	7 ft. 2 in. (2.18 m)
Overall width w/60-in. tread width	6 ft. 3 in. (1.90 m)
Overall length	15 ft. 11 in. (4.85 m)
Overall length w/3-point hitch	17 ft. (5.18 m)
Wheelbase	79.4 in. (2.02 m)
Ground clearance (under front axle)	1 ft. 5 in. (430 mm)
Ground clearance, min.	11 in. (279 mm)

Capacities:

	U.S.	Liters
Cooling system	3 gal.	11.4
Fuel tank	19.5 gal.	73.8
Engine lubrication, including filter	6 qt.	5.7
Transmission and hydraulic system	10 gal.	37.9

Additional Standard Equipment:

Oil pressure indicator light
 Alternator charge indicator light
 Water temperature gauge
 Key switch safety start
 Cushioned seat
 Vertical muffler w/rain cap
 Transistorized voltage regulator
 Fenders
 Antifreeze
 Two-position disk rear wheels
 ¾-yard loader bucket
 Air-cleaner-restriction indicator
 Ether starting aid
 Rear PTO (continuous "live" or independent 540 rpm)
 Speed-hourmeter
 Horn

SAE Operating Weight 6280 lb. (2850 kg)

Special Equipment

Cigaret lighter
 Deluxe seat
 Differential lock
 Fixed front axle
 Foot throttle
 Front grille guard
 Fuel gauge
 Two 12-volt batteries, 72 amps each,
 reserve capacity: 220 minutes

Hydraulic direction reverser
 Lights
 Mid PTO (1000 rpm "live," w/rear PTO)
 Muffler extension (vertical muffler)
 Parking brake
 Rear muffler
 Remote hydraulic cylinder
 ROPS and seat belt w/ or w/o canopy

Single or dual remote-cylinder control
 w/quick-connect couplers
 Swinging drawbar
 3-inch seat belt
 3-point hitch (Category 1 or 2 w/sway
 blocks and regular or short links)
 Toolbox