

ENGINE	450G	550G	650G			
Type.....	John Deere 4045T with altitude-compensating turbocharger; John Deere 4045D naturally aspirated (direct drive only)	John Deere 4045T with altitude-compensating turbocharger	John Deere 4045T with altitude-compensating turbocharger			
Rated power	70 SAE net hp (52 kW) / 73 SAE gross hp (54.5 kW) @ 2,100 rpm	80 SAE net hp (59.5 kW) / 83 SAE gross hp (62 kW) @ 2,100 rpm	90 SAE net hp (67.5 kW); 650G DD – 95 SAE gross hp (71 kW); 650G TC – 99 SAE gross hp (74 kW) @ 2,100 rpm			
Drawbar.....	51 hp (38 kW)	58 hp (43 kW)	66 hp (49 kW)			
Cylinders	4	4	4			
Displacement	276 cu. in. (4.524 L)	276 cu. in. (4.524 L)	276 cu. in. (4.524 L)			
Fuel consumption, typical	1.5 to 2.3 gal./hr. (4.9 to 8.7 L/h)	1.6 to 2.4 gal./hr. (6.1 to 9.1 L/h)	1.8 to 2.8 gal./hr. (6.8 to 10.6 L/h)			
Maximum net torque.....	228 lb.-ft. (309 Nm) @ 1,300 rpm	260 lb.-ft. (353 Nm) @ 1,300 rpm	293 lb.-ft. (397 Nm) @ 1,300 rpm			
Lubrication.....	pressure system with full-flow spin-on filter and oil-to-water cooler	pressure system with full-flow spin-on filter and oil-to-water cooler	pressure system with full-flow spin-on filter and oil-to-water cooler			
Air cleaner	dual stage dry type with safety element, precleaner, and under-hood restriction indicator	dual stage dry type with safety element, precleaner, and under-hood restriction indicator	dual stage dry type with safety element, precleaner, and under-hood restriction indicator			
Electrical system.....	12 volt with 65-amp alternator	12 volt with 65-amp alternator	12 volt with 65-amp alternator			
Cooling fan	blower	blower	blower			
TRANSMISSION	full power shift, Dura-Shift with torque converter or direct drive; change gears easily using the engine decelerator and power shift					
	<i>450G TC</i> <i>mph (km/h)</i>	<i>450G DD</i> <i>mph (km/h)</i>	<i>550G TC</i> <i>mph (km/h)</i>	<i>550G DD</i> <i>mph (km/h)</i>	<i>650G TC</i> <i>mph (km/h)</i>	<i>650G DD</i> <i>mph (km/h)</i>
Maximum travel speeds						
1st Forward	2.30 (3.70)	1.45 (2.33)	2.31 (3.72)	1.54 (2.48)	2.28 (3.67)	1.51 (2.43)
2nd Forward	3.31 (5.33)	2.41 (3.88)	3.32 (5.34)	2.58 (4.15)	3.28 (5.28)	2.53 (4.07)
3rd Forward	4.11 (6.61)	3.29 (5.29)	4.09 (6.58)	3.28 (5.28)	4.09 (6.58)	3.34 (5.38)
4th Forward	5.91 (9.51)	5.51 (8.87)	5.88 (9.46)	5.49 (8.84)	5.87 (9.45)	5.59 (9.00)
1st Reverse	2.50 (4.02)	1.60 (2.57)	2.50 (4.02)	1.70 (2.74)	2.46 (3.96)	1.67 (2.69)
2nd Reverse.....	3.58 (5.76)	2.67 (4.30)	3.59 (5.78)	2.85 (4.59)	3.54 (5.70)	2.80 (4.51)
3rd Reverse.....	4.47 (7.19)	3.63 (5.84)	4.36 (7.02)	3.62 (5.83)	4.30 (6.92)	3.70 (5.95)
4th Reverse	5.93 (9.54)	6.09 (9.80)	5.86 (9.43)	6.06 (9.75)	5.80 (9.33)	6.19 (9.96)
FINAL DRIVES	large heavy-duty final drive assemblies attach directly to the transverse case and are isolated from the track frame to keep final drives from being adversely affected by shock loads; 450G is single reduction, 550G and 650G are double					
STEERING/BRAKES	oil-cooled and modulated steering system; multiple wet-disk steering clutches and wet-band steering brakes are pressure lubricated and located at the rear of the machine for easy servicing					
AUTOMATIC PARK BRAKE	exclusive safety feature engages whenever the engine stops, preventing machine operation, which eliminates brake damage					
HYDRAULIC SYSTEM						
System	open center	open center	open center	open center	open center	open center
Pressure, main relief.....	2,750 psi (18 961 kPa)	2,750 psi (18 961 kPa)	2,750 psi (18 961 kPa)	2,750 psi (18 961 kPa)	2,750 psi (18 961 kPa)	2,750 psi (18 961 kPa)
Pump	gear	gear	gear	gear	gear	gear
Flow	17 gpm (64 L/min.) @ 2,100 rpm	17 gpm (64 L/min.) @ 2,100 rpm	17 gpm (64 L/min.) @ 2,100 rpm	17 gpm (64 L/min.) @ 2,100 rpm	17 gpm (64 L/min.) @ 2,100 rpm	17 gpm (64 L/min.) @ 2,100 rpm
Filter, return oil.....	10 micron	10 micron	10 micron	10 micron	10 micron	10 micron
Control.....	T-bar three function	T-bar three function	T-bar three function	T-bar three function	T-bar three function	T-bar three function
Cylinders	heat-treated, chrome-plated, polished cylinder rods with hardened steel (replaceable bushings) pivot pins	heat-treated, chrome-plated, polished cylinder rods with hardened steel (replaceable bushings) pivot pins	heat-treated, chrome-plated, polished cylinder rods with hardened steel (replaceable bushings) pivot pins	heat-treated, chrome-plated, polished cylinder rods with hardened steel (replaceable bushings) pivot pins	heat-treated, chrome-plated, polished cylinder rods with hardened steel (replaceable bushings) pivot pins	heat-treated, chrome-plated, polished cylinder rods with hardened steel (replaceable bushings) pivot pins
UNDERCARRIAGE	John Deere Dura-Trax™ features large deep-heat-treated components; pins and bushings are sealed for life; rollers and idlers are permanently sealed and lubricated; full-length track frame covers reduce material buildup and ease cleaning					
Chain						
Standard.....	sealed	sealed	sealed	sealed	sealed	sealed
Optional.....	sealed and lubricated	sealed and lubricated	sealed and lubricated	sealed and lubricated	sealed and lubricated	sealed and lubricated
Pitch.....	6.29 in. (159.8 mm)	6.29 in. (159.8 mm)	6.29 in. (159.8 mm)	6.29 in. (159.8 mm)	6.73 in. (171.1 mm)	6.73 in. (171.1 mm)

UNDERCARRIAGE (continued)	450G	550G	650G
STANDARD TRACK			
Grouser	16 in. (406 mm) closed center single bar	not available	18 in. (457 mm) closed center single bar
Ground contact area.....	2,432 sq. in. (15 690 cm ²)		3,082 sq. in. (19 884 cm ²)
Ground pressure			
Torque converter.....	6.55 psi (45.2 kPa)		6.01 psi (41.4 kPa)
Direct drive.....	6.47 psi (44.6 kPa)		5.94 psi (41.0 kPa)
Overall width over track.....	73 in. (1854 mm)		79 in. (2007 mm)
Track shoes, each side	37		38
Length of track on ground	76 in. (1930 mm)		85.6 in. (2174 mm)
Track gauge.....	57 in. (1450 mm)		61 in. (1550 mm)
Track rollers	5		6
Adjustment	hydraulic with hinged dirt cover		hydraulic with hinged dirt cover
LONG TRACK			
Grouser	16 in. (406 mm) closed center single bar	18 in. (457 mm) closed center single bar	not available
Ground contact area.....	2,733 sq. in. (17 632 cm ²)	2,732 sq. in. (19 834 cm ²)	
Ground pressure			
Torque converter.....	6.04 psi (41.7 kPa)	6.47 psi (44.7 kPa)	
Direct drive.....	5.97 psi (41.1 kPa)	6.4 psi (44.1 kPa)	
Overall width over track.....	73 in. (1854 mm)	79 in. (2007 mm)	
Track shoes, each side	40	40	
Length of track on ground	85 in. (2160 mm)	85.4 in. (2169 mm)	
Track gauge.....	57 in. (1450 mm)	61 in. (1550 mm)	
Track rollers	6	6	
Adjustment	hydraulic with hinged dirt cover	hydraulic with hinged dirt cover	
LOW GROUND PRESSURE			
Grouser	24 in. (610 mm) closed center single bar	24 in. (610 mm) closed center single bar	24 in. (610 mm) closed center single bar
Ground contact area.....	4,099 sq. in. (26 445 cm ²)	4,099 sq. in. (26 447 cm ²)	4,109 sq. in. (26 510 cm ²)
Ground pressure			
Torque converter.....	4.25 psi (29.3 kPa)	4.52 psi (31.2 kPa)	4.70 psi (32.4 kPa)
Direct drive.....	4.20 psi (29.0 kPa)	4.47 psi (30.8 kPa)	4.65 psi (32.1 kPa)
Grouser			26 in. (660 mm) closed center single bar
Ground contact area			4,451 sq. in. (28 717 cm ²)
Ground pressure			
Torque converter			4.45 psi (30.7 kPa)
Direct drive			4.41 psi (30.4 kPa)
Overall width over track.....	93 in. (2362 mm)	93 in. (2362 mm)	93 in. (2362 mm)
Track shoes, each side	40	40	38
Length of track on ground	85 in. (2160 mm)	85.4 in. (2169 mm)	85.6 in. (2174 mm)
Track gauge.....	69 in. (1750 mm)	69 in. (1750 mm)	69 in. (1750 mm)
Track rollers	6	6	6
Adjustment	hydraulic with hinged dirt cover	hydraulic with hinged dirt cover	hydraulic with hinged dirt cover
CAPACITIES (U.S.)			
Fuel tank with lockable cap	41 gal. (155.2 L)	41 gal. (155.2 L)	41 gal. (155.2 L)
Cooling system with coolant			
recovery tank	18 qt. (17.0 L)	18 qt. (17.0 L)	18 qt. (17.0 L)
Engine oil including spin-on filter	9 qt. (8.5 L)	13 qt. (12.3 L)	13 qt. (12.3 L)
Transmission system including			
spin-on filter in filter center			
Torque converter	27 gal. (102 L)	27 gal. (102 L)	27 gal. (102 L)
Direct drive	27 gal. (102 L)	27 gal. (102 L)	27 gal. (102 L)
Final drive (each)	7 qt. (6.6 L)	10 qt. (9.5 L)	10 qt. (9.5 L)
Hydraulic reservoir.....	10 gal. (37.8 L)	10 gal. (37.8 L)	10 gal. (37.8 L)
Hydraulic system including			
vertical spin-on filter in			
filter center	14.6 gal. (55.3 L)	14.6 gal. (55.3 L)	15 gal. (56.8 L)
All capacities are for torque converter unless otherwise noted. All power train and hydraulic systems allow 45-degree maximum fore-aft, side-to-side operation without modification.			

OPERATING WEIGHTS	450G		550G		650G	
	With standard equipment		With standard equipment		With standard equipment	
	450G TC	450G DD	550G TC	550G DD	650G TC	650G DD
	lb. (kg)	lb. (kg)	lb. (kg)	lb. (kg)	lb. (kg)	lb. (kg)
Standard track	15,932 (7243)	15,732 (7152)	not available	not available	18,510 (8414)	18,310 (8323)
Wide track	16,888 (7677)	16,688 (7586)	not available	not available	not available	not available
Long track	16,510 (7505)	16,310 (7415)	17,683 (8038)	17,483 (7947)	not available	not available
Low ground pressure (LGP)	17,432 (7924)	17,232 (7833)	18,530 (8423)	18,330 (8332)	19,322 (8783)	19,122 (8692)

DIMENSIONS

A Overall height with ROPS and cab.....	108 in. (2740 mm)	109 in. (2770 mm)	110 in. (2794 mm)
Overall height with low-profile ROPS.....	103.3 in. (2624 mm)	104.3 in. (2649 mm)	105.3 in. (2675 mm)
B Overall length Standard and wide tracks	154.2 in. (3917 mm)	160 in. (4070 mm)	160 in. (4070 mm)
B' Overall length Long and low ground pressure tracks	156.5 in. (3975 mm)	160 in. (4070 mm)	160 in. (4070 mm)
C Blade lift height.....	32.1 in. (815 mm)	34.1 in. (866 mm)	35.7 in. (906 mm)
D Digging depth	19.9 in. (504 mm)	18.1 in. (460 mm)	16.5 in. (420 mm)
E Blade cutting edge angle, two position adjustable	50 or 55 degrees	50 or 55 degrees	50 or 55 degrees

G-SERIES BLADE SPECS

STANDARD BLADE

F Width	97 in. (2464 mm)	105 in. (2667 mm)	105 in. (2667 mm)
G Height.....	32.6 in. (827 mm)	33.3 in. (847 mm)	35.4 in. (898 mm)
SAE capacity	2.0 cu. yd. (1.5 m ³)	2.3 cu. yd. (1.7 m ³)	2.5 cu. yd. (1.9 m ³)
H Blade angle	25 degrees	25 degrees	25 degrees
I Angled width.....	87.8 in. (2230 mm)	95.1 in. (2415 mm)	95.1 in. (2415 mm)
J Tilt	13.0 in. (330 mm)	14.1 in. (357 mm)	13.5 in. (343 mm)

NARROW BLADE (Will not cover standard track footprint when fully angled.)

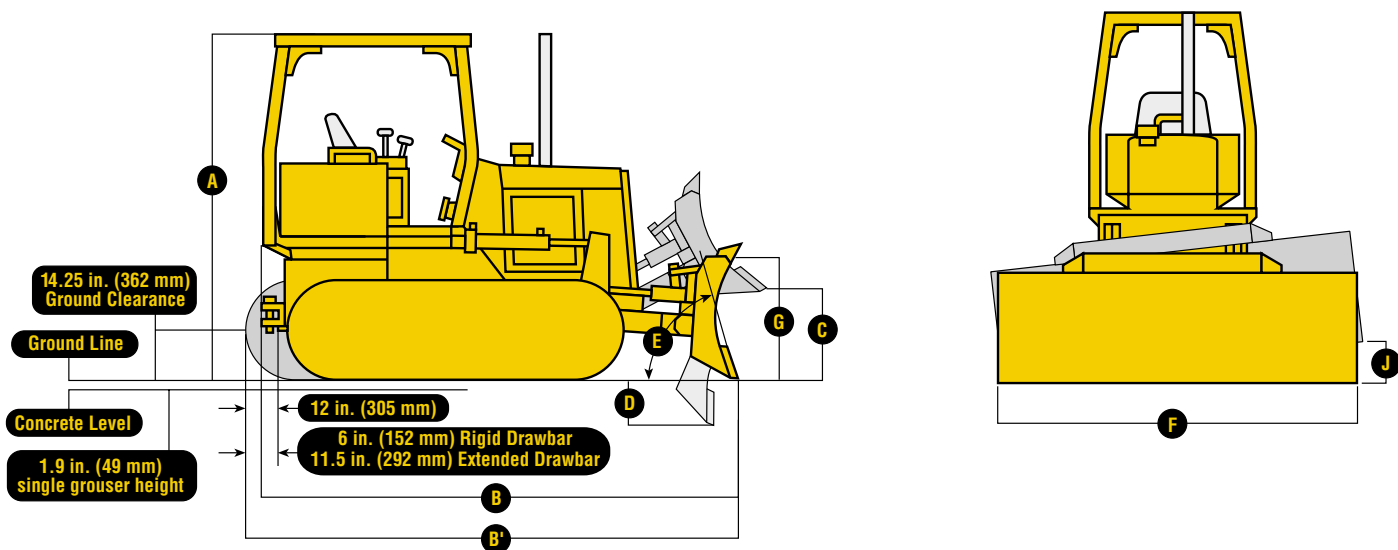
F Width	91 in. (2311 mm)	97 in. (2464 mm)	97 in. (2464 mm)
G Height.....	32.6 in. (827 mm)	32.6 in. (827 mm)	32.6 in. (827 mm)
SAE capacity	1.9 cu. yd. (1.4 m ³)	2.0 cu. yd. (1.5 m ³)	2.0 cu. yd. (1.5 m ³)
H Blade angle	25 degrees	25 degrees	25 degrees
I Angled width.....	82.4 in. (2093 mm)	87.8 in. (2230 mm)	87.8 in. (2230 mm)
J Tilt	12.2 in. (309 mm)	13.0 in. (330 mm)	12.5 in. (317 mm)

WIDE BLADES

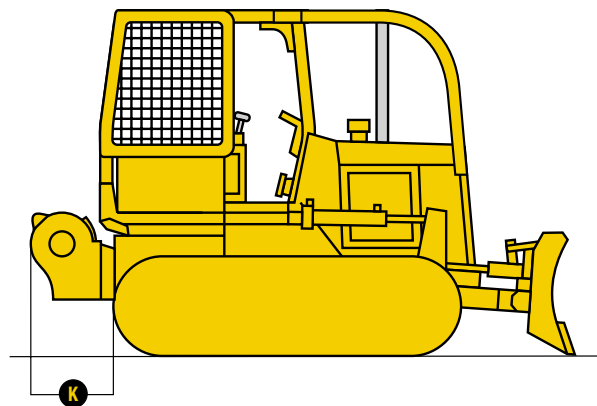
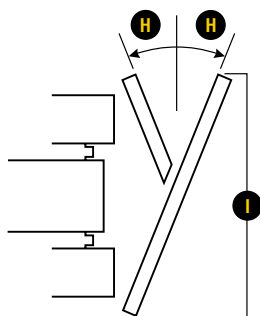
F Width	115 in. (2921 mm)	115 in. (2921 mm)	115 in. (2921 mm)
G Height.....	32.6 in. (827 mm)	32.6 in. (827 mm)	32.6 in. (827 mm)
SAE capacity	2.3 cu. yd. (1.8 m ³)	2.3 cu. yd. (1.8 m ³)	2.3 cu. yd. (1.8 m ³)
H Blade angle	23 degrees	23 degrees	23 degrees
I Angled width.....	105.7 in. (2686 mm)	105.7 in. (2686 mm)	105.7 in. (2686 mm)
J Tilt	15.4 in. (391 mm)	15.4 in. (391 mm)	14.8 in. (376 mm)

F Width	121 in. (3073 mm)	121 in. (3073 mm)	121 in. (3073 mm)
G Height.....	32.6 in. (827 mm)	32.6 in. (827 mm)	32.6 in. (827 mm)
SAE capacity	2.5 cu. yd. (1.9 m ³)	2.5 cu. yd. (1.9 m ³)	2.5 cu. yd. (1.9 m ³)
H Blade angle	23 degrees	23 degrees	23 degrees
I Angled width.....	111.3 in. (2827 mm)	111.3 in. (2827 mm)	111.3 in. (2827 mm)
J Tilt	16.2 in. (411 mm)	16.2 in. (411 mm)	15.6 in. (396 mm)

F Width	128 in. (3250 mm)		
G Height	32.6 in. (827 mm)		
SAE capacity	2.6 cu. yd. (2.0 m ³)		
H Blade angle.....	23 degrees		
I Angled width	117.8 in. (2992 mm)		
J Tilt.....	16.6 in. (421 mm)		



Unit illustrated above is equipped with extended drawbar.



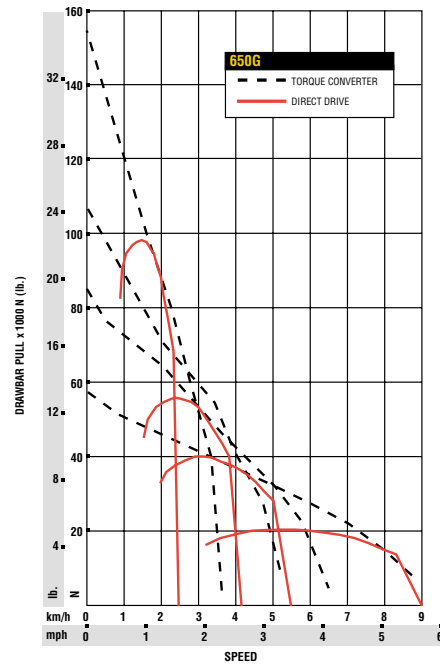
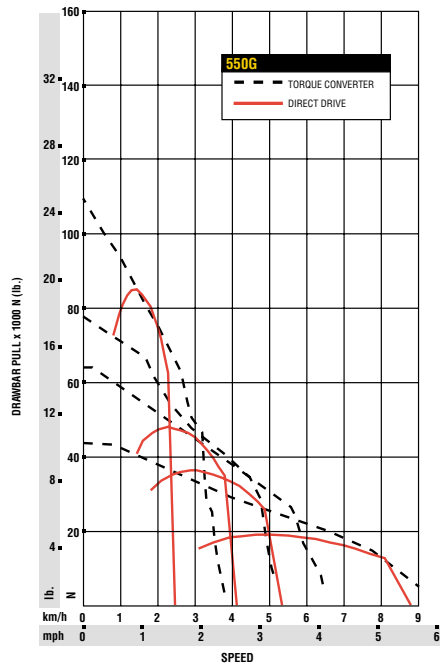
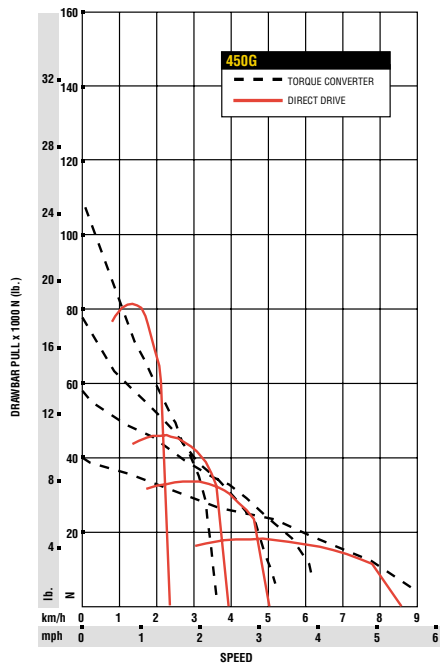
FORESTRY APPLICATION

available limb risers and screens for the rollover protective structure, John Deere-built 4000 Winch for versatile skidding and clearing operations

K 4000 Winch length28.1 in. (713 mm)

DRAWBAR PULL

Crawler speed vs ground pullusable pull will depend on traction and weight of tractor



	450G	550G	650G		450G	550G	650G		450G	550G	650G
ENGINE				Rubber track pads*	■	■	■	Non-suspension vinyl seat	■	■	■
Coolant recovery tank	●	●	●	Sealed and lubricated chain	■	■	■	Adjustable armrests, backrest, and fore-aft – Conforms to SAE J899	■	■	■
Enclosed safety fan guard	●	●	●	LIGHTS			Radio, AM/FM weather band	■	■	■	
Conforms to SAE J1308	●	●	●	Two front driving/working and one rear working halogen, 33,000 candlepower (375 737 lux each)			ROPS protection, low profile	■	■	■	
Engine coolant –34°F (–37°C)	●	●	●	OPERATOR'S STATION			Door screens* / Front screens* / Limb risers* – Arched or point-to-point with overhead exhaust* / Rear screen / Side screens	■	■	■	
Natural aspiration (direct drive only)	●	●	●	Built-in Operator's Manual storage compartment and manual			ROPS protection, standard height	■	■	■	
Oil-to-water engine oil cooler	●	●	●	Decelerator			Door screens* / Front screens* / Limb risers* – Arched or point-to-point with overhead exhaust* / Rear screen / Side screens	■	■	■	
Quick release fuel filter	●	●	●	Deluxe suspension vinyl seat			ROPS-to-cab conversion panels*	■	■	■	
Trash-resistant six-fin radiator	●	●	●	Adjustable armrests, thigh support, backrest, height/weight, and fore-aft – Conforms to SAE J899			Seat belt, 3 in. (76 mm), without retractors	■	■	■	
Underhood muffler with vertical exhaust stack	●	●	●	Electronic monitor system with audible and visual warning			Conforms to SAE J386	■	■	■	
Spark arrester:				Coolant temperature / Engine oil pressure / Hydraulic filter restriction / Low alternator voltage / Transmission filter restriction / Transmission pressure / Transmission temperature			Steering conversion kits*	■	■	■	
Torque converter	●	●	●	Fuel gauge, electric, illuminated			Suspension vinyl seat for backhoe use	■	■	■	
Direct drive*	■	■	■	Gauge/indicator package			Adjustable armrests, thigh support, backrest, height/weight, and fore-aft – Conforms to SAE J899	■	■	■	
Heavy-duty six-fin radiator	■	■	■	Gauges, illuminated							
Electric ether start aid	■	■	■	Engine coolant temperature / Engine oil pressure / Transmission oil temperature							
Engine coolant heater, 1,000 watts, 110 volts	■	■	■	Indicator lights							
Fuel/water separator*	■	■	■	Low alternator voltage / Transmission oil filter restriction / Transmission oil pressure							
Radiator sand screen (requires blower fan)	■	■	■	Horn, electric							
Reversible fan	■	■	■	Conforms to SAE J994, J1446							
Turbocharger	■	●	●	Hourmeter, electric, illuminated							
POWER TRAIN				Interior-mounted rearview mirror							
Automatic spring-applied, hydraulic-released park brake, lever operated				Conforms to SAE J985							
Cooler	●	●	●	Key start switch with electric fuel shutoff							
Oil-to-air for torque converter transmission	●	●	●	Modular design ROPS/FOPS canopy							
Primary and secondary service brakes	●	●	●	Conforms to SAE J1040							
Transmission neutral lock with starter safety switch	●	●	●	Pedal steering							
Winch drive with cover	●	●	●	Seat belt, 2 in. (51 mm), with retractors							
Axle seal guards*	■	■	■	Conforms to SAE J386							
Direct drive transmission with oil-to-air cooler, decelerator, declutch, and suspended power control inching pedal	■	■	■	Slip-resistant steps and ergonomically-located handrails							
ELECTRICAL				Conform to SAE J185							
Auto-reset circuit breakers				Tool storage behind seat							
By-pass start safety cover at starter	●	●	●	Cab							
Positive terminal battery covers	●	●	●	Air conditioning, 33,000 Btu* / Deluxe headliner / Dome light / Floormat / Fresh air intake heater/defroster/pressurizer, fresh air precleaner, 400 CFM, 40,000 Btu/hr (11.7 kW) – Conforms to SAE J1503, J1535D / Front and rear windshield wipers / Front and rear windshield washers / Interior-mounted rearview mirror / Tinted safety glass / Conforms to SAE J1040							
Single battery, 180-min. reserve capacity, 625 CCA	●	●	●	Cab protection							
Auxiliary starting receptacle under hood	■	■	■	Door screens* / Front screens* / Lexan® Margard® windows* / Limb risers* – Arched or point-to-point with overhead exhaust* / Rear screen / Side screens							
Dual batteries, 360-min. reserve capacity, 1,250 CCA	■	■	■	Dual lever dozer controls							
Master electrical disconnect switch, lockable	■	■	■	Headliner for ROPS							
HYDRAULIC SYSTEM				Lever steering							
"O" ring face seal connectors				Low-profile ROPS							
Fourth and/or fifth function valve (with or without float) and levers for auxiliary equipment*	■	■	■	Conforms to SAE J1040							
Power-beyond valve for front/rear auxiliary valves	■	■	■								
Pump, 23 gpm, with hydraulic oil cooler	■	■	■								
UNDERCARRIAGE											
Front idler and sprocket bolt-on chain guides	●	●	●								
Full-length track frame covers	●	●	●								
Bolt-on full-length track guards	■	■	■								
Counterweights, front idler, 350 lb. (158 kg) each	■	■	■								
Counterweights, sprocket, 564 lb. (256 kg) total	■	■	■								
Full grouser track shoes, 16 in. (406 mm) to 24 in. (610 mm), for direct drive transmissions*	■	■	■								
Closed and open center track shoes*	■	■	■								

KEY: ● Standard equipment ■ Optional or special equipment

*See your John Deere dealer for further information.



Net engine power is with standard equipment including air cleaner, exhaust system, alternator, and cooling fan, at standard conditions per SAE J1349 and DIN 6270B, using No. 2-D fuel at 35 API gravity. No derating is required up to 5,000 ft. (1500 m) altitude for the 450G and up to 10,000 ft. (3050 m) altitude for the 550G and 650G. Gross power is without cooling fan.

Specifications and design subject to change without notice. Wherever applicable, specifications are in accordance with SAE standards. Except where otherwise noted, these specifications are based on units with rollover protective structures, full fuel tanks, 175-lb. (79 kg) operators, and standard equipment; 450G unit with 97-in. (2464 mm) PAT Blade for standard gauge or 121-in. (3073 mm) PAT Blade for wide gauge; and 550G and 650G units with 105-in. (2667 mm) PAT Blade.

