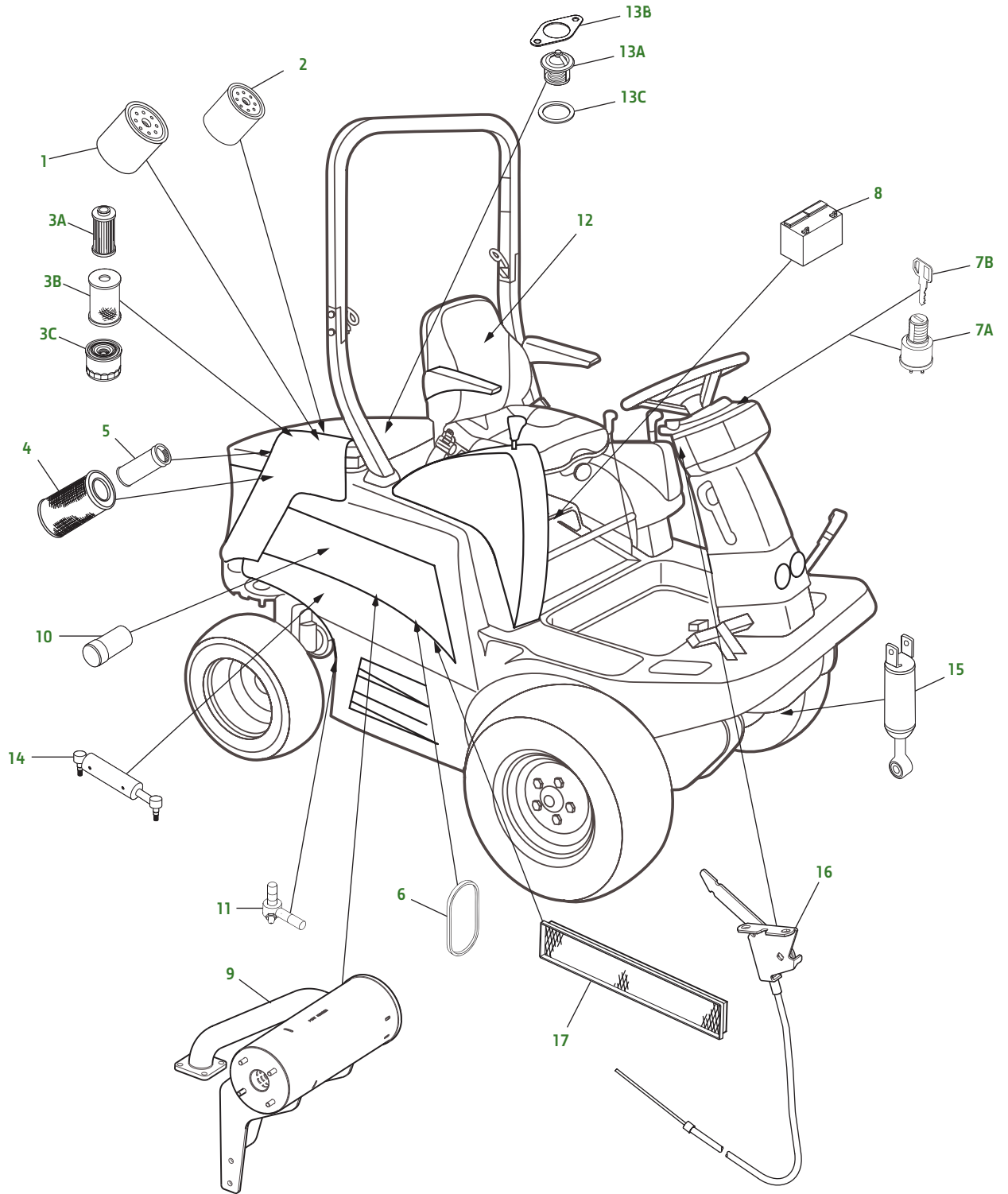


# 1550 / 1570 / 1575 / 1580 / 1585 TerrainCut™ Front Mowers



## 1550 / 1570 / 1575 / 1580 / 1585 TerrainCut™ Front Mowers

Key	Part No.	Description	Key	Part No.	Description
1	<a href="#">M806418</a>	ENGINE OIL FILTER - 1550	10	<a href="#">AT25983</a>	AIR RESTRICTION INDICATOR
	<a href="#">M806419</a>	ENGINE OIL FILTER - 1570/1575/1580/1585	11	<a href="#">MIA884949</a>	TIE ROD END - 1550
2	<a href="#">M146082</a>	TRANSMISSION OIL FILTER		<a href="#">MIA884949</a>	TIE ROD END - RH - 4WD
3A	<a href="#">M801101</a>	FUEL FILTER ELEMENT - 1550		<a href="#">MIA884948</a>	TIE ROD END - LH - 4WD
3B	<a href="#">MIU802421</a>	FUEL FILTER - PRIMARY - 1570/1575/1580/1585	12	<a href="#">TCA19122</a>	SEAT ASSEMBLY - COMPLETE - 1550/1570/1580
3C	<a href="#">MIU803127</a>	FUEL FILTER - FINAL - 1570/1575/1580/1585	13A	<a href="#">M811895</a>	THERMOSTAT - 1550
4	<a href="#">M131802</a>	AIR FILTER ELEMENT - PRIMARY		<a href="#">M811034</a>	THERMOSTAT - 1570/1575/1580/1585
5	<a href="#">M131803</a>	AIR FILTER ELEMENT - SECONDARY	13B	<a href="#">M805834</a>	GASKET - UPPER
6	<a href="#">TCU34832</a>	BELT - ALTERNATOR	13C	<a href="#">M805835</a>	GASKET - LOWER - 1570/1575/1580/1585
7A	<a href="#">TCA22740</a>	IGNITION SWITCH - (S/N -015000)	14	<a href="#">AM128175</a>	POWER STEERING CYL - 1550/1570/1575
	<a href="#">AUC15805</a>	IGNITION SWITCH - (S/N 015001-)		<a href="#">TCA13984</a>	POWER STEERING CYL - 1580/1585
7B	<a href="#">AUC12681</a>	KEY - (S/N -015000)	15	<a href="#">TCA25008</a>	DECK LIFT CYL
	<a href="#">TCA24616</a>	KEY - (S/N 015001-)	16	<a href="#">TCA12032</a>	THROTTLE CABLE
8	<a href="#">TY25876</a>	BATTERY - DRY	17	<a href="#">MIU10010</a>	CAB FRESH AIR FILTER - 1575/1585
9	<a href="#">AUC15260</a>	MUFFLER - 1550		<a href="#">MIU10011</a>	RECIRCULATION FILTER - 1575/1585
	<a href="#">TCA22237</a>	MUFFLER - 1570 & 1575			
	<a href="#">TCA22239</a>	MUFFLER - 1585 & 1580			

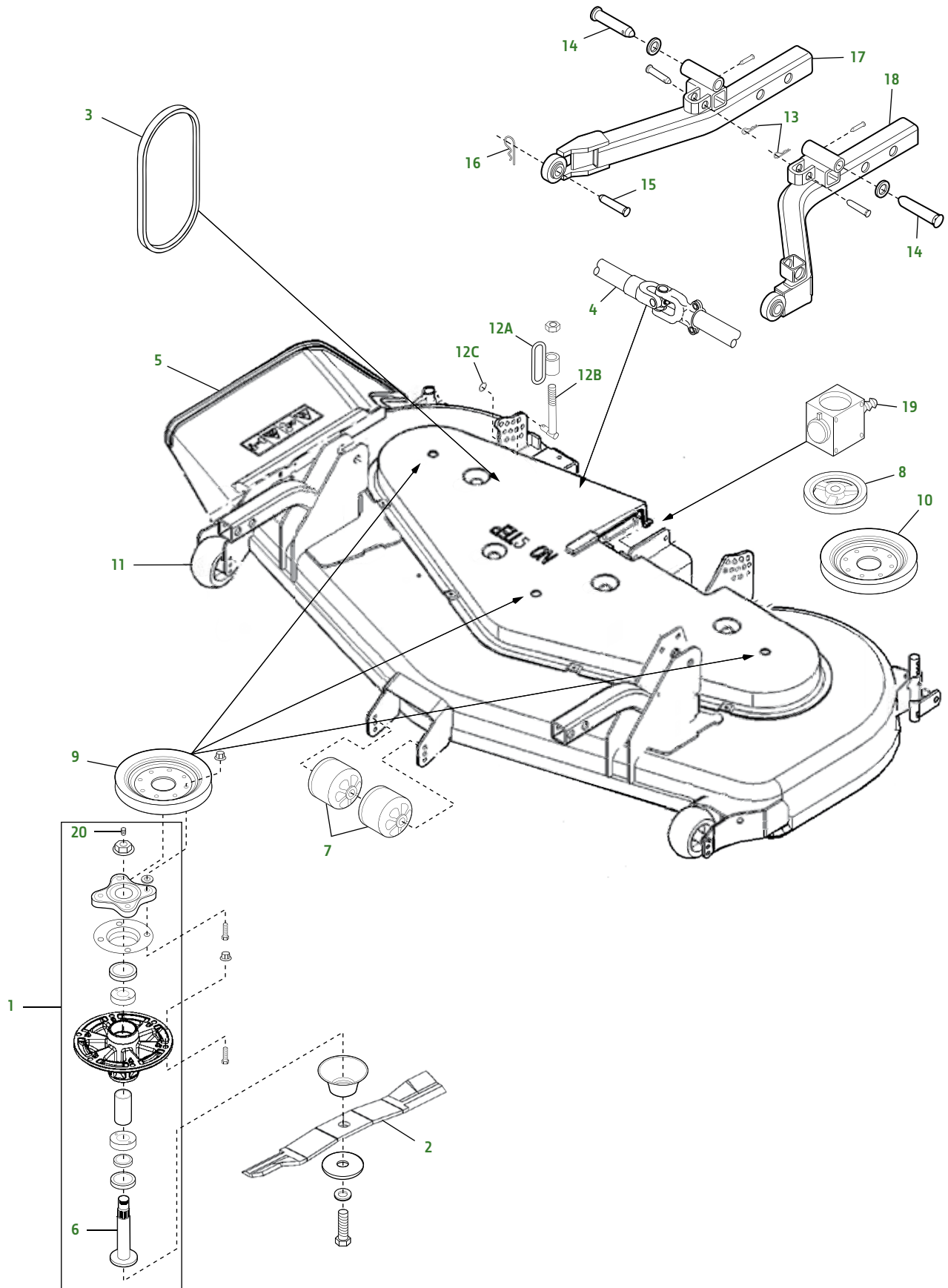
## Parts Needed in First 250 Hours of Operation

Qty	Part No.	Item	Capacity	Interval In Hours
2	<a href="#">M806418</a>	Engine Oil Filter - 1550	1	50/250
2	<a href="#">M806419</a>	Engine Oil Filter - 1570/1575/1580/1585	1	50/250
7 9 11	<a href="#">TY26669</a>	John Deere Plus-50™ II 10W-30	1550 - 3.1 L (3.3 qt) 1570/1575 - 4.1 L (4.3 qt) 1580/1585 - 4.8 L (5.1 qt)	50/250
1	<a href="#">M146082</a>	Hydraulic Oil Filter	1	50/250
2 2 3	<a href="#">TY22062</a>	HY-GARD™ Transmission Fluid - 2.5 gal	2WD - 8.5 L (9 qt) 1550/1570 - 4WD - 8.7 L (9.2 qt) 1575/1580/1585 - 10 L (10.5 qt)	50/250
3	<a href="#">TY6341</a>	Multi-Purpose SD Polyurea Grease (14 oz)		As Needed

## Capacities

Engine Oil Capacity 1550 (with Filter)	3.1 L (3.3 qt)
Engine Oil Capacity 1570, 1575 (with Filter)	4.1 L (4.3 qt)
Engine Oil Capacity 1580, 1585 (with Filter)	4.8 L (5.1 qt)
Coolant (1550)	7.1 L (7.5 qt)
Coolant (1570, 1575, 1580, 1585)	7.6 L (8 qt)
Hydrostatic Transmission (2WD)	8.5 L (9 qt)
Hydrostatic Transmission (1550, 1570; 4WD)	8.7 L (9.2 qt)
Hydrostatic Transmission (1575, 1580, 1585)	10.0 L (10.5 qt)
Rear Axle (4WD)	4.7 L (5 qt)
Grease Gun	TY26518

# 60 in. / 72 in. 7-Iron™ ProSide Discharge & 62 in. / 72 in. FASTBACK™ Rear Discharge (1550 / 1570 / 1575 / 1580 / 1585)



# 60 in. / 72 in. 7-Iron™ ProSide Discharge & 62 in. / 72 in. FASTBACK™ Rear Discharge (1550 / 1570 / 1575 / 1580 / 1585)

Key	Part No.	Description	Key	Part No.	Description
1	<a href="#">TCA24881</a> . . . .	SPINDLE ASSEMBLY - (S/N -030000), 72 in. RD (S/N -020000)	9	<a href="#">TCU21055</a> . . . .	SHEAVE - BLADE SPINDLE - 60 in SD
	<a href="#">TCA25356</a> . . . .	SPINDLE CAST IRON ASSEMBLY - (S/N 030001-), 72 in. RD (S/N 020001-)		<a href="#">TCU15036</a> . . . .	SHEAVE - BLADE SPINDLE - 60 in SD
2	<a href="#">TCU15881</a> . . . .	BLADE - HIGH LIFT - 60 in.		<a href="#">TCU31399</a> . . . .	SHEAVE - BLADE SPINDLE - 62 in RD
	<a href="#">M128485</a> . . . .	BLADE - MEDIUM LIFT EDGE - 60 in.		<a href="#">TCU51522</a> . . . .	SHEAVE - BLADE SPINDLE - 72 in
	<a href="#">TCU18990</a> . . . .	BLADE - MID LIFT W/MULCH EDGE - 60 in.	10	<a href="#">TCA17524</a> . . . .	IDLER - SHEAVE - 60 in. & 62 in.
	<a href="#">M168223</a> . . . .	BLADE - MULCHING - 60 in.		<a href="#">TCA20656</a> . . . .	IDLER - SHEAVE - 72 in. SD
	<a href="#">M133381</a> . . . .	BLADE - LOW LIFT - 60 in.		<a href="#">AN123224</a> . . . .	IDLER - SHEAVE - 72 in. RD
	<a href="#">TCU51118</a> . . . .	BLADE - MEDIUM LIFT - 62 in.	11	<a href="#">TCU18744</a> . . . .	GAGE WHEEL - 60 in. & 72 in. SD
	<a href="#">M144935</a> . . . .	BLADE - MULCH - 62 in.		<a href="#">M111489</a> . . . .	GAGE WHEEL - 72 in. RD
	<a href="#">M144297</a> . . . .	BLADE - LOW LIFT - 62 in.	12A	<a href="#">TCU29993</a> . . . .	LINK
	<a href="#">TCU15882</a> . . . .	BLADE - HIGH LIFT - 72 in. SD	12B	<a href="#">M96100</a> . . . .	LIFT LINK
	<a href="#">M142514</a> . . . .	BLADE - MULCH - 72 in. SD & RD	12C	<a href="#">M88183</a> . . . .	RING
	<a href="#">M141669</a> . . . .	BLADE - LOW LIFT - 72 in. SD & RD	13	<a href="#">J16931</a> . . . .	SPRING LOCKING PIN
	<a href="#">EPC201693</a> . . . .	BLADE - MEDIUM LIFT - 72 in. RD	14	<a href="#">R58262</a> . . . .	PIN
3	<a href="#">TCU32986</a> . . . .	BELT - 60 in.	15	<a href="#">TCU38748</a> . . . .	PIN - 60 in., 62 in. & 72 in. SD
	<a href="#">TCU33435</a> . . . .	BELT - 62 in. RD	16	<a href="#">A3581R</a> . . . .	SPRING LOCKING PIN - 60 in., 62 in. & 72 in. SD
	<a href="#">TCU19900</a> . . . .	BELT - 72 in. SD	17	<a href="#">AUC12519</a> . . . .	LIFT ARM - RH - 60 in.
	<a href="#">EPC201624</a> . . . .	BELT - 72 in. RD		<a href="#">AUC12517</a> . . . .	LIFT ARM - RH - 62 in.
4	<a href="#">TCA24035</a> . . . .	DRIVE SHAFT - 60 in. S, 62 in. RD & 72 in. SD		<a href="#">AUC12521</a> . . . .	LIFT ARM - RH - 72 in. SD
	<a href="#">EPC201691</a> . . . .	DRIVE SHAFT - 72 in. RD		<a href="#">EPC201642</a> . . . .	LIFT ARM - RH - 72 in. RD
5	<a href="#">TCA24830</a> . . . .	CHUTE	18	<a href="#">AUC12518</a> . . . .	LIFT ARM - LH - 60 in
6	<a href="#">M134382</a> . . . .	SPINDLE - (S/N -030000), 72 in. RD (S/N -020000)		<a href="#">AUC12516</a> . . . .	LIFT ARM - LH - 62 in.
	<a href="#">M163059</a> . . . .	SPINDLE - (S/N 030001-), 72 in. RD (S/N 020001-)		<a href="#">AUC12520</a> . . . .	LIFT ARM - LH - 72 in. SD
7	<a href="#">TCU34060</a> . . . .	ROLLER - 60 in. & 72 in. SD		<a href="#">DMA210905</a> . . . .	LIFT ARM - LH - 72 in. RD
	<a href="#">M115245</a> . . . .	ROLLER - 62 in. & 72 in. RD	19	<a href="#">TCA24776</a> . . . .	GEARBOX - 60 in. SD
8	<a href="#">TCA16320</a> . . . .	SHEAVE - GEARBOX - 60 in. SD		<a href="#">TCA21758</a> . . . .	GEARBOX - 62 in. RD
	<a href="#">DMA210184</a> . . . .	SHEAVE - GEARBOX - 62 in. RD		<a href="#">TCA21759</a> . . . .	GEARBOX - 72 in. SD
	<a href="#">TCA15667</a> . . . .	SHEAVE - GEARBOX - 72 in. SD		<a href="#">TCA22077</a> . . . .	GEARBOX - 72 in. RD
	<a href="#">EPC201669</a> . . . .	SHEAVE - GEARBOX - 72 in. RD	20	<a href="#">JD7849</a> . . . .	LUBRICATION FITTING (S/N -030000), 72 in. RD (S/N -020000)
				<a href="#">JD7803</a> . . . .	LUBRICATION FITTING (S/N 030001-), 72 in. RD (S/N 020001-)

Qty	Part No.	Item
3	<a href="#">TCA22953</a>	Spindle Assembly - Cast Iron
3	<a href="#">TCA24881</a>	SPINDLE ASSEMBLY - (S/N -030000), 72 in. RD (S/N -020000)
3	<a href="#">TCA25356</a>	SPINDLE CAST IRON ASSEMBLY - (S/N 030001-), 72 in. RD (S/N 020001-)
3	<a href="#">TCU15881</a>	Blade - High Lift - 60 In.
3	<a href="#">M128485</a>	Blade - Medium Lift Edge - 60 in.
3	<a href="#">TCU18990</a>	Blade - Mid Lift w/ Mulch Edge - 60 in.
3	<a href="#">M168223</a>	Blade - Mulch - 60 in.
3	<a href="#">M133381</a>	Blade - Low Lift - 60 in.
3	<a href="#">TCU51118</a>	Blade - Medium Lift - 62 in.
3	<a href="#">M144935</a>	Blade - Mulch - 62 in.
3	<a href="#">M144297</a>	Blade - Low Lift - 62 in.
3	<a href="#">TCU15882</a>	Blade - High Lift - 72 in. SD
3	<a href="#">M142514</a>	Blade - Mulch - 72 in. SD & RD
3	<a href="#">M141669</a>	Blade - Low Lift - 72 in. SD & RD
3	<a href="#">EPC201693</a>	Blade - Medium Lift - 72 in. RD
1	<a href="#">TCU32986</a>	Belt - 60 in.
1	<a href="#">TCU33435</a>	Belt - 62 in.
1	<a href="#">TCU19900</a>	Belt - 72 in. SD
1	<a href="#">EPC201624</a>	Belt - 72 in. RD