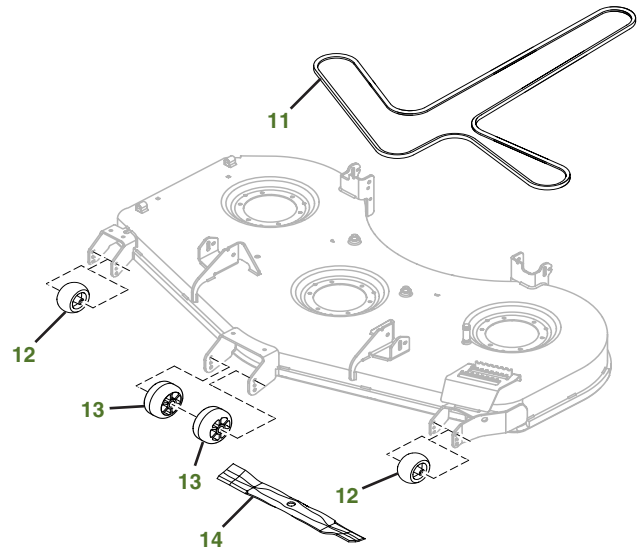
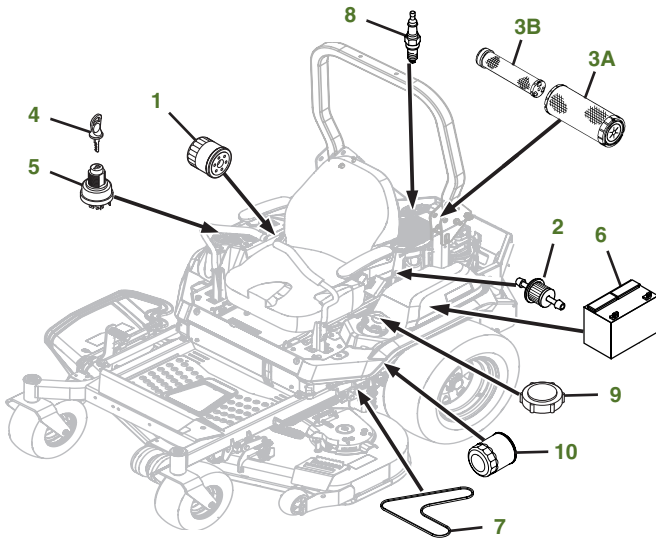


MAINTENANCE REMINDER SHEET

Z740R with 48" High Capacity Deck



Machine S/N

Key	Part No.	Description	Key	Part No.	Description
1	AM125424	ENGINE OIL FILTER	8	M805853	SPARK PLUG
2	UC21217	FUEL FILTER-IN-LINE	9	AM146138	FUEL CAP
3A	M131802	AIR FILTER - PRIMARY	10	MIU13018	HYDRAULIC FILTER
3B	M131803	AIR FILTER - SECONDARY	11	UC16433	BELT-MOWER
4	AUC12681	KEY	12	TCU18744	GAGE WHEEL
5	AUC15805	IGNITION SWITCH	13	TCU34060	ROLLER WHEEL - FRONT
6	TY25221	BATTERY	14	TCU30315	BLADE-HIGH LIFT 48"
7	UC15026	BELT-TRACTION DRIVE		M136185	BLADE-MULCHING 48"
				BUC10249	KIT-MULCHCONTROL™

Parts Needed in First 250 Hours of Operation

Qty	Part No	Item	Qty or Capacity	Change Interval In Hours
5	TY22029	1 qt Engine Oil Turf-Gard™ 10W-30	2.0 - 2.2 qt	100/200
2	AM125424	Engine Oil Filter	1	100/200
1	M131802	Air Filter - Primary	1	Annually or every 200 hours (whichever comes first)
1	M131803	Air Filter - Secondary	1	Annually or every 500 hours (whichever comes first)
1	UC21217	Fuel Filter	1	Annually or every 300 hours (whichever comes first)
6	TY26674	Hydraulic Oil - PLUS-50™ II 15W-40	5.3 qt	250
1	MIU13018	Hydraulic Filter	2	250
1	TY24416	JD Multi Purpose HD Lithium Complex Grease		As Needed

"As Needed" Parts

Qty	Part No	Item
1	AM130907	Mower Deck Leveling Gauge
1	TY26517	Grease Gun

CLICK PART NUMBER TO BUY