

FILTER OVERVIEW WITH SERVICE INTERVALS AND CAPACITIES

2R Series Compact Utility Tractors - 2025R, 2032R, 2038R

TRANSMISSION

OIL FILTER

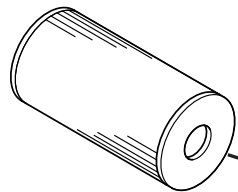
(2025R -MY16) [LVA802810](#)

(2025R MY17-) [LVA16054](#)

(2032R MY17-, 2038R) [LVA16054](#)

Replace initially after 50 hours, then every 200 hours.

(Click here for [capacity](#))



FILTER PACKS

(2025R -MY16) [LVA21204](#)

M806418, M801101, M131802, AL221066, LVA802810

(2025R MY17-) [LVA21036](#)

M806418, M801101, M131802, LVA16054

(2032R -MY16) [LVA21201](#)

M806419, M131802, LVU800097, MIU800645

(2032R MY17-) [LVA23615](#)

M806419, M131802, LVA14703, MIU800645

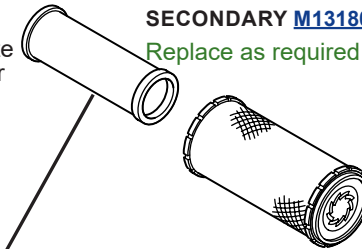
Each kit contains above filters, offering a complete solution for your maintenance needs to keep your tractor running at peak performance.

ENGINE AIR FILTER ELEMENT

PRIMARY [M131802](#)

SECONDARY [M131803](#)

Replace as required per conditions.



HYDRAULIC

OIL FILTER

(2025R -MY16) [AL221066](#)

(2032R -MY16) [LVU800097](#)

(2032R MY17-, 2038R) [LVA14703](#)

Replace initially after 50 hours, then every 200 hours.

(Click here for [capacity](#))



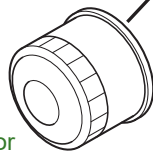
ENGINE OIL FILTER

(2025R) [M806418](#)

(2032R, 2038R) [M806419](#)

Replace after every 200 hours or annually, whichever occurs first.

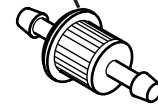
(Click here for [capacity](#))



FUEL FILTER

(2025R) [AM116304](#)

Replace after every 400 hours or annually, whichever occurs first.

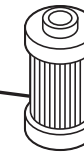


FUEL FILTER

(2025R) [M801101](#)

(2032R MY17-) [MIU803127](#)

Replace after every 400 hours or annually, whichever occurs first.



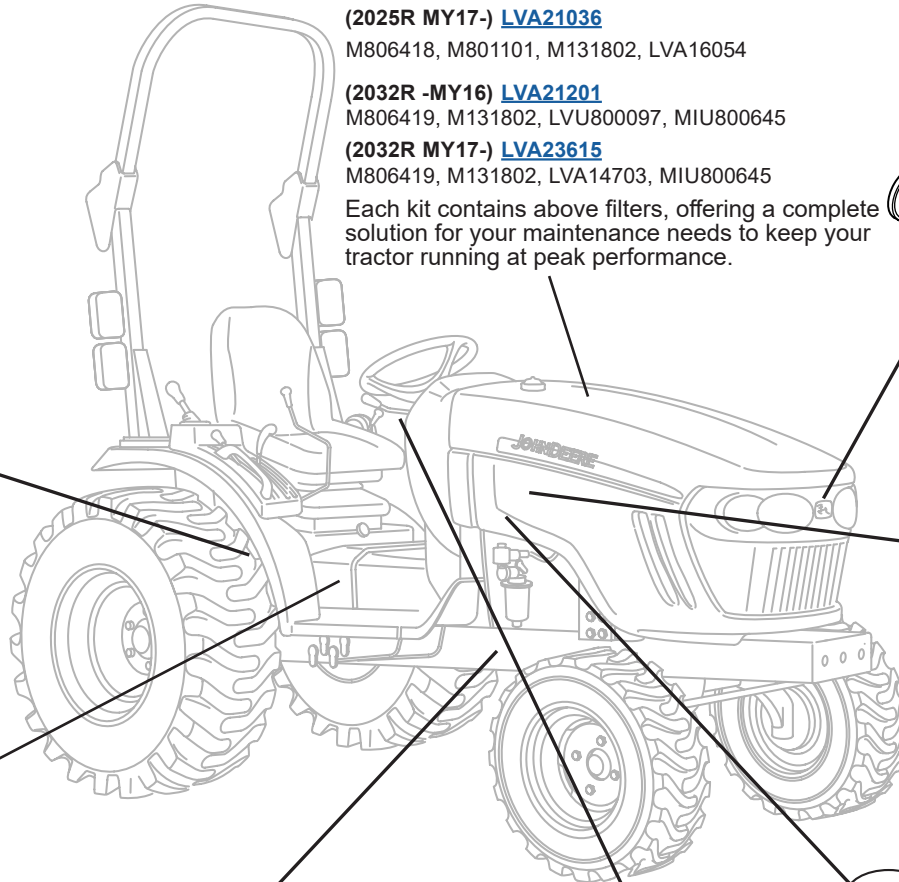
FUEL FILTER

PRIMARY (2032R, 2038R) [MIU800645](#)

Replace after every 400 hours or annually, whichever occurs first.

SECONDARY (2032R, 2038R) [M811032](#)

Replace after every 400 hours or annually, whichever occurs first.



JOHN DEERE

Genuine Parts and Service

CAPACITIES

2R Series Compact Utility Tractors - 2025R, 2032R, 2038R

CAPACITIES (Approximate):

Fuel Tank:

2025R (-MY16).....	23 L (6.1 gal)
2025R (MY17-).....	23.8 L (6.3 gal)
2032R (-MY16).....	27 L (7.1 gal)
2032R (MY17-), 2038R	32 L (8.5 gal)

Cooling System:

Cool-Gard™ II

2025R (-MY16).....	3.2 L (0.84 gal)
2025R (MY17-).....	3.7 L (0.81 gal)
2032R.....	4.0 L (1.05 gal)
2038R.....	5.2 L (1.14 gal)

Crankcase with Filter:

Plus-50™

2025R (-MY16).....	3.2 L (0.84 gal)
2025R (MY17-).....	2.7 L (0.59 gal)
2032R (-MY16).....	3.4 L (0.89 gal)
2032R (MY17-), 2038R	4.5 L (1.18 gal)

Transmission and Hydraulic System:

Hy-Gard™

2025R (-MY16).....	13.1 L (3.5 gal)
2025R (MY17-).....	14.4 L (3.17 gal)
2032R.....	17.5 L (4.6 gal)
2038R.....	23.5 L (5.17 gal)

Front Axle:

GL-5

2025R (-MY16).....	3.4 L (0.89 gal)
2025R (MY17-).....	2.8 L (0.62 gal)
2032R.....	3.9 L (1.03 gal)
2038R.....	3.8 L (0.84 gal)

[Return to Filter Overview](#)

