



JOHN DEERE

CONSTRUCTION EQUIPMENT

EXCAVATORS



MODEL NO.

135C 225C LC



RTS



Get closer than you ever imagined...

The John Deere 135C RTS Excavator has a digging depth of 19 feet, 9 inches, while the 225C LC RTS has a digging depth of 22 feet, 3 inches.

Looking forward. On congested jobsites, the reduced tail swing feature lets the operator worry less about what's behind him and focus his efforts on the 'business end' of the machine. The result is less stress and more production.

...to trees, buildings, utility boxes, or any other obstacles you encounter, with Deere's new 135C and 225C LC RTS (Reduced Tail Swing) Excavators. Once you do, you'll find more productivity, fewer hassles, and bigger profits.

These new machines are built without the usual protruding counterweight. And the entire upper-structure is designed to turn in a tight radius – meaning you can work within one lane of traffic on those highway, street, and bridge jobs where lane hang in the balance. You'll get more done, faster.



MODEL NO.

135C 225C LC

Running out of space? No problem. "Reduced Tail Swing" means you can get closer to objects than ever before, eliminating the need for a lot of handwork.

The reduced swing radius also means there'll be less potential for damage to the area around you. No more battered barricades, bent bushes, or scraped counterweights.

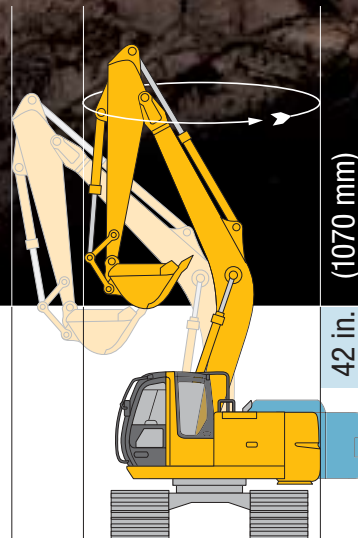
You'll also save time that you used to spend moving obstructions or doing other handwork.

But the tight tail swing and close-quarter maneuverability aren't the only reasons to check out the 135C and 225C LC — they're chock full of the usual Deere excavator excellence. Call your dealer today for a demo and get the story up close.

Thickened plates – three in the boom and one in the arm – help to keep your excavator investment working job after job.

Power and motion

Put these excavators on your street job and work within one lane of traffic.



The 'rotating diameter' of the 225C LC is over 35 percent less than a conventional 20 metric-ton excavator. The ability to swing in a smaller circle is why it's more productive on tight jobsites. The 135C has a rotating diameter of less than 12 feet, which lets it comfortably work within one lane of traffic.

Here's what you're missing. The counterweight of a 135C is more than 26 inches (665 mm) shorter than the counterweight on a 120C. The counterweight on a 225C LC is more than 42 inches (1070 mm) shorter than the counterweight on a 200C LC. Here are two cases where less steel pays big dividends.



135C 225C LC

Both excavators have powerful, efficient diesels that meet the EPA's "Tier II" emissions regulations.

Deere's StructurAll™ warranty gives you three years of "no-fear" coverage on all important structures, like booms, arms, and mainframes, for unlimited hours at NO charge.



Deere's Powerwize™ II engine/hydraulic management system saves fuel, distributes just the right amount of hydraulic muscle, and makes multi-function operation a snap.

Whether it's urban renewal, interstate work, or underground utilities, you not only need the power to dig and lift, but also the precise, smooth motion to move and place. The 135C and 225C LC feature 88- and 147-horsepower engines, respectively, that will run long and hard no matter what the task. The Powerwize™ II engine/hydraulic management system provides the "smooth" by balancing hydraulic pressure and flow to give you the precise amount of

movement and engine power exactly when you need it – without wasting a drop of fuel.

Dig, lift, push, and place with ultimate confidence: Deere excavators have rugged undercarriages and heavily reinforced booms. Three bulkhead plates – not two as in some competitive machines – are welded inside the boom and arm to resist torsion stress. A tungsten-carbide thermal coating on the bucket-to-arm joint increases durability.

Sanctuary

The cloth-covered, fully adjustable seat has four-inch-wide armrests. Set those big guns down in comfort and start digging.

Hydraulic improvements have resulted in a 10-percent reduction in lever effort. Kiss stress goodbye.



When's the last time you actually bought an eight-ounce cup of coffee? The 135C and 225C LC feature an oversized cup holder for those man-sized, shift-starting cups of java.



MODEL NO.

135C 225C LC

The new operator station in Deere's 135C and 225C LC RTS Excavators is a personal sanctuary designed for stress-free productivity. Your seat is a deluxe, cloth-covered, fully adjustable throne, and includes a new, adjustable lumbar support to pamper your back. All of the controls are within easy reach and make perfect ergonomic sense.

Adding to your comfort cocoon is the automatic,

high-capacity "blend-air" climate-control system that keeps the cab at a perfect temperature. There are vents everywhere, along with an overhead smoke-tinted glass sunroof hatch that allows a rush of fresh air from above and does double duty by helping you keep an eye on overhead obstructions. We're confident you won't want to leave the cab.



The little things truly matter. A 12-volt cell-phone jack helps you keep in touch with the world outside, while a beverage cooler keeps your drinks chilled no matter how hot the action is out on the job.

What you need is more eye contact...that's why there's also 28 percent more glass for outstanding visibility. Redesigned window wiper blade linkage also cleans 25 percent more of the viewing area, then tucks neatly out of sight.

The very definition of “easy”

A sealed and lubricated track chain eliminates the need for greasing.

Behind these doors...lie the secrets of daily servicing. Your oil dipstick, oil filter, and fuel filter are within easy reach so you can get back in the cab faster.



Machine Information Center

The Machine Information Center captures and stores vital machine performance data such as engine speeds, hydraulic temperatures, pump pressures, alarms and faults, hours of operation, and more. The data is downloadable through an mSeries Palm™ Pilot and is transferred to your PC. Special PC software interprets the data and generates valuable machine performance reports and graphs highlighting machine utilization, performance history, and more to help users improve productivity and profit.

**135C 225C LC**

If “serviceability” had its own listing in the dictionary, you’d find a John Deere logo next to it as the illustration. That’s how serious we are about ease of service, and the 135C and 225C LC are no different.

Routine service points are found behind sturdy, oversized, easy-to-open service doors. Check your lube points, filters, and dipsticks quickly and get on with your day. Bolt-on skid plates give you better footing when you have to climb on the machine for

daily service. We’ve also extended key service intervals such as the engine oil-change interval (500 hours) and the first hydraulic oil change (4,000 hours) for your convenience. Top it all off with the StructurALL™ warranty – three years or 10,000 hours of “no-fear” coverage on major structures like the arm, boom, and frame – free of charge for unlimited hours. It’s no wonder John Deere is synonymous with service and support after the sale.



Oil-impregnated bushings in the arm and boom extend grease intervals to 500 hours and enhance durability.

135C RTS 225C LC RTS

EXCAVATORS

SPECIFICATIONS



CONSTRUCTION EQUIPMENT

Engine

| | 135C RTS | 225C LC RTS |
|---------------------------------|--|---|
| Type..... | Isuzu CC-4BG1TC with turbocharger and air-to-air charge air cooler; meets EPA Tier II non-road emissions regulations | Isuzu AA-6BG1T with turbocharger and air-to-air charge air cooler; meets EPA Tier II non-road emissions regulations |
| Rated power | 88 SAE net hp (65 kW) @ 2,150 rpm | 147 SAE net hp (108 kW) @ 2,100 rpm |
| Cylinders..... | 4 | 6 |
| Displacement..... | 264 cu. in. (4.329 L) | 396 cu. in. (6.494 L) |
| Maximum net torque..... | 253 lb.-ft. (343 Nm) @ 1,600 rpm | 405 lb.-ft. (550 Nm) @ 1,600 rpm |
| Fuel consumption, typical | 2.0 to 3.0 gal./hr. (7.6 to 11.4 L/h) | 4.0 to 6.0 gal./hr. (15.1 to 22.7 L/h) |
| Cooling fan | suction-type | suction-type |
| Electrical system..... | 24 volt with 50-amp alternator | 24 volt with 50-amp alternator |
| Batteries (two 12 volt)..... | reserve capacity: 180 min. | reserve capacity: 180 min. |
| Off-level capacity..... | 70% (35 deg.) | 70% (35 deg.) |

Hydraulic System

| | | |
|---------------------------|--|--|
| Main pumps..... | two variable-displacement axial-piston | two variable-displacement axial-piston |
| Maximum flow..... | 2 x 27.7 gpm (2 x 105 L/min.) | 2 x 51.3 gpm (2 x 194 L/min.) |
| Pilot pump | one gear | one gear |
| Maximum rated flow..... | 8.7 gpm (33 L/min.) | 8.5 gpm (32 L/min.) |
| Pressure setting..... | 570 psi (3930 kPa) | 570 psi (3930 kPa) |
| System operating pressure | | |
| Implement circuits..... | 4,980 psi (34 336 kPa) | 4,980 psi (34 336 kPa) |
| Travel circuits | 4,980 psi (34 336 kPa) | 4,980 psi (34 336 kPa) |
| Swing circuits..... | 4,690 psi (32 337 kPa) | 4,410 psi (30 406 kPa) |
| Oil filtration..... | one 10-micron full-flow return filter with by-pass / one pilot oil filter / one suction filter | one 10-micron full-flow return filter with by-pass / one pilot oil filter / one suction filter |

Cylinders

| | Bore | Rod Diameter | Stroke | Bore | Rod Diameter | Stroke |
|-----------------|-------------------|------------------|--------------------|-------------------|------------------|--------------------|
| Boom (2)..... | 4.13 in. (105 mm) | 2.76 in. (70 mm) | 39.2 in. (995 mm) | 4.72 in. (120 mm) | 3.35 in. (85 mm) | 48.0 in. (1220 mm) |
| Arm (1) | 4.53 in. (115 mm) | 3.15 in. (80 mm) | 44.4 in. (1127 mm) | 5.31 in. (135 mm) | 3.74 in. (95 mm) | 58.1 in. (1475 mm) |
| Bucket (1)..... | 3.94 in. (100 mm) | 2.76 in. (70 mm) | 34.4 in. (875 mm) | 4.53 in. (115 mm) | 3.15 in. (80 mm) | 41.7 in. (1060 mm) |

Swing Mechanism

| | | |
|--------------------|----------------------------|----------------------------|
| Swing speed | 0–13.7 rpm | 0–13.3 rpm |
| Swing torque | 24,387 lb.-ft. (33 089 Nm) | 43,218 lb.-ft. (58 640 Nm) |

Undercarriage

| | | |
|---------------------------------|------------------------|------------------------|
| Carrier rollers (per side)..... | 1 | 2 |
| Track rollers (per side)..... | 7 | 8 |
| Shoes (per side)..... | 44 | 49 |
| Track guides | front | front |
| Track adjustment..... | hydraulic | hydraulic |
| Travel speed | | |
| Low | 0–1.9 mph (0–3.0 km/h) | 0–2.1 mph (0–3.3 km/h) |
| High..... | 0–3.1 mph (0–5.0 km/h) | 0–3.3 mph (0–5.3 km/h) |
| Drawbar pull..... | 26,300 lb. (11 930 kg) | 45,000 lb. (20 410 kg) |

Ground Pressure Data

| Average ground pressure | Without Blade | With Blade | |
|--|---------------------|---|---|
| 20-in. (500 mm) rubber crawler pad..... | 5.96 psi (41.1 kPa) | 6.42 psi (44.3 kPa) | |
| 24-in. (600 mm) rubber crawler pad | | | 7.08 psi (48.8 kPa); recommended for flat ground and street work |
| 24-in. (600 mm) triple semi-grouser shoes..... | 5.09 psi (35.1 kPa) | 5.48 psi (37.8 kPa); recommended for rocky terrain, hard ground, and stumps | |
| 28-in. (700 mm) triple semi-grouser shoes..... | 4.43 psi (30.5 kPa) | 4.76 psi (32.8 kPa); recommended for general conditions and soft terrain | 6.14 psi (42.3 kPa); recommended for general conditions and soft terrain |
| 32-in. (800 mm) triple semi-grouser shoes..... | | | 5.47 psi (37.7 kPa); recommended for rocky terrain, hard ground, and stumps |

Capacities

| | | |
|--|-------------------|-------------------|
| Fuel tank | 53 gal. (201 L) | 71.3 gal. (270 L) |
| Cooling system | 15 qt. (14.2 L) | 18 qt. (17 L) |
| Engine lubrication, including filter | 14 qt. (13 L) | 22 qt. (22 L) |
| Hydraulic tank..... | 19 gal. (71.9 L) | 37 gal. (140 L) |
| Hydraulic system | 31.7 gal. (120 L) | 52.8 gal. (200 L) |
| Propel gearbox (each)..... | 3.8 qt. (3.5 L) | 5.5 qt. (5.2 L) |
| Swing drive..... | 2.5 qt. (2.4 L) | 5 qt. (4.5 L) |

Operating Weights

135C RTS

With full fuel tank; 175-lb. (79 kg) operator; 0.82-cu. yd. (0.63 m³), 36-in. (915 mm), 1,040-lb. (472 kg) general-purpose bucket; 9-ft. 11-in. (3.01 m) arm; 8,047-lb. (3650 kg) counterweight; and 28-in. (700 mm) triple semi-grouser shoes.....30,440 lb. (13 808 kg)

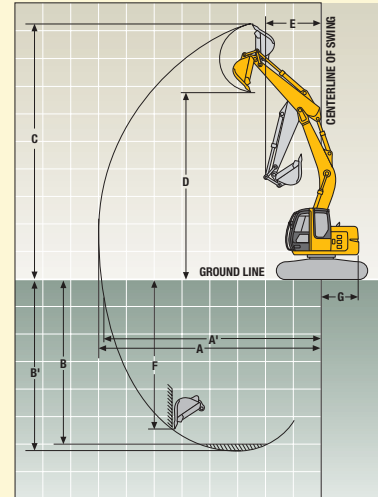
With full fuel tank; 175-lb. (79 kg) operator; 1.12-cu. yd. (0.86 m³), 42-in. (1067 mm), 1,590-lb. (721 kg) general-purpose bucket; 9-ft. 7-in. (2.91 m) arm; 16,755-lb. (7600 kg) counterweight; and 32-in. (800 mm) triple semi-grouser shoes.....53,440 lb. (24 240 kg)

Component Weights

| Undercarriage | Without Blade | With Blade |
|--|----------------------|----------------------|
| 20-in. (500 mm) rubber crawler pad..... | 9,338 lb. (4236 kg) | 11,616 lb. (5269 kg) |
| 24-in. (600 mm) rubber crawler pad..... | | 16,270 lb. (7380 kg) |
| 24-in. (600 mm) triple semi-grouser shoes..... | 9,780 lb. (4436 kg) | 12,057 lb. (5469 kg) |
| 28-in. (700 mm) triple semi-grouser shoes..... | 10,190 lb. (4622 kg) | 12,467 lb. (5655 kg) |
| 32-in. (800 mm) triple semi-grouser shoes..... | | 17,813 lb. (8080 kg) |
| Upperstructure with full fuel tank (less front attachments and counterweight)..... | 6,990 lb. (3171 kg) | 10,558 lb. (4789 kg) |
| One-piece boom (with arm cylinder)..... | 2,105 lb. (955 kg) | 3,649 lb. (1655 kg) |
| Arm with bucket cylinder and linkage | | |
| 7 ft. 3 in. (2.22 m)..... | | 1,894 lb. (859 kg) |
| 8 ft. 3 in. (2.52 m)..... | 1,274 lb. (578 kg) | |
| 9 ft. 7 in. (2.91 m)..... | | 2,112 lb. (958 kg) |
| 9 ft. 11 in. (3.01 m)..... | 1,424 lb. (646 kg) | |
| Boom lift cylinders (2) total weight..... | 472 lb. (214 kg) | 789 lb. (358 kg) |
| 36-in. (915 mm), 0.82-cu.-yd. (0.63 m ³) bucket..... | 1,040 lb. (472 kg) | |
| 42-in. (1067 mm), 1.12-cu.-yd. (0.86 m ³) bucket..... | | 1,590 lb. (721 kg) |
| Counterweight..... | 8,047 lb. (3650 kg) | 16,755 lb. (7600 kg) |

135C RTS Operating Information

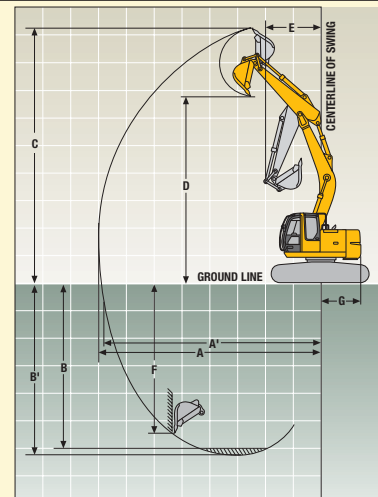
| | Arm Length 8 ft. 3 in. (2.52 m) | Arm Length 9 ft. 11 in. (3.01 m) |
|--|------------------------------------|-------------------------------------|
| Arm force with 36-in. (915 mm), 0.82-cu.-yd. (0.63 m ³) general-purpose bucket..... | 14,100 lb. (62.7 kN) | 12,800 lb. (56.9 kN) |
| Bucket digging force with 36-in. (915 mm), 0.82-cu.-yd. (0.63 m ³) general-purpose bucket..... | 19,400 lb. (86.3 kN) | 19,400 lb. (86.3 kN) |
| Lifting capacity over front @ ground level 20-ft. (6.1 m) reach, without blade..... | 6,966 lb. (3160 kg) | 5,830 lb. (2644 kg) |
| A Maximum reach..... | 27 ft. 3 in. (8.30 m) | 28 ft. 9 in. (8.76 m) |
| A' Maximum reach @ ground level..... | 26 ft. 9 in. (8.16 m) | 28 ft. 4 in. (8.64 m) |
| B Maximum digging depth..... | 18 ft. 2 in. (5.53 m) | 19 ft. 9 in. (6.02 m) |
| B' Maximum digging depth @ 8-ft. (2.44 m) flat bottom..... | 17 ft. 5 in. (5.32 m) | 19 ft. 2 in. (5.84 m) |
| C Maximum cutting height..... | 30 ft. 3 in. (9.22 m) | 31 ft. 6 in. (9.61 m) |
| D Maximum dumping height..... | 22 ft. 2 in. (6.76 m) | 23 ft. 5 in. (7.15 m) |
| E Minimum swing radius..... | 6 ft. 9 in. (2.06 m) | 7 ft. 10 in. (2.40 m) |
| F Maximum vertical wall..... | 16 ft. 4 in. (4.97 m) | 17 ft. 11 in. (5.46 m) |
| G Tail swing radius..... | 4 ft. 10 in. (1.465 m) | 4 ft. 10 in. (1.465 m) |



225C LC RTS Operating Information

| | Arm Length 7 ft. 3 in. (2.22 m) | Arm Length 9 ft. 7 in. (2.91 m) |
|--|------------------------------------|------------------------------------|
| Arm force with 42-in. (1067 mm), 1.12-cu.-yd. (0.86 m ³) general-purpose bucket*..... | 29,500 lb. (131 kN) | 22,900 lb. (102 kN) |
| Bucket digging force with 42-in. (1067 mm), 1.12-cu.-yd. (0.86 m ³) general-purpose bucket*..... | 29,100 lb. (129 kN) | 29,100 lb. (129 kN) |
| Lifting capacity over front @ ground level 20-ft. (6.1 m) reach*..... | 13,708 lb. (6218 kg) | 15,397 lb. (6984 kg) |
| A Maximum reach..... | 30 ft. 8 in. (9.35 m) | 32 ft. 10 in. (10.01 m) |
| A' Maximum reach @ ground level..... | 30 ft. 0 in. (9.14 m) | 32 ft. 2 in. (9.81 m) |
| B Maximum digging depth..... | 20 ft. 0 in. (6.10 m) | 22 ft. 3 in. (6.79 m) |
| B' Maximum digging depth @ 8-ft. (2.44 m) flat bottom..... | 19 ft. 1 in. (5.82 m) | 21 ft. 7 in. (6.57 m) |
| C Maximum cutting height..... | 34 ft. 7 in. (10.55 m) | 36 ft. 5 in. (11.10 m) |
| D Maximum dumping height..... | 25 ft. 1 in. (7.64 m) | 26 ft. 10 in. (8.19 m) |
| E Minimum swing radius..... | 8 ft. 6 in. (2.59 m) | 7 ft. 7 in. (2.30 m) |
| F Maximum vertical wall..... | 16 ft. 5 in. (5.00 m) | 19 ft. 5 in. (5.92 m) |
| G Tail swing radius..... | 5 ft. 6 in. (1.68 m) | 5 ft. 6 in. (1.68 m) |

*Digging forces and lift capacities with Power Boost.

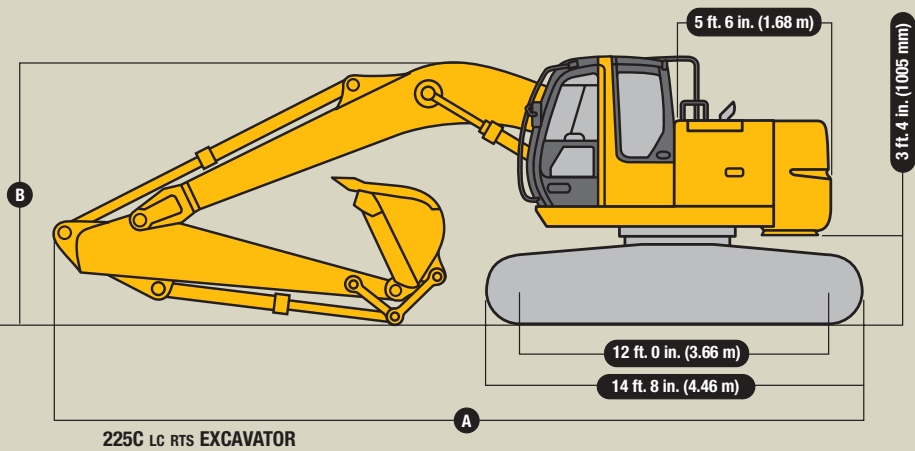
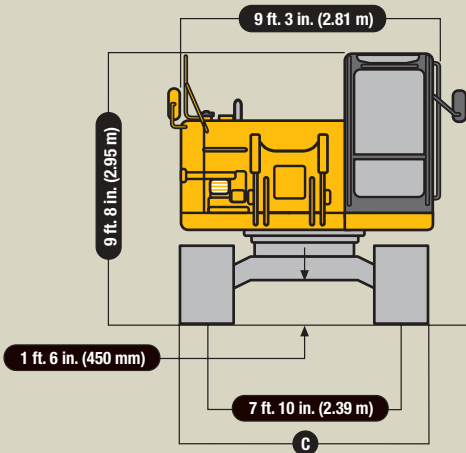
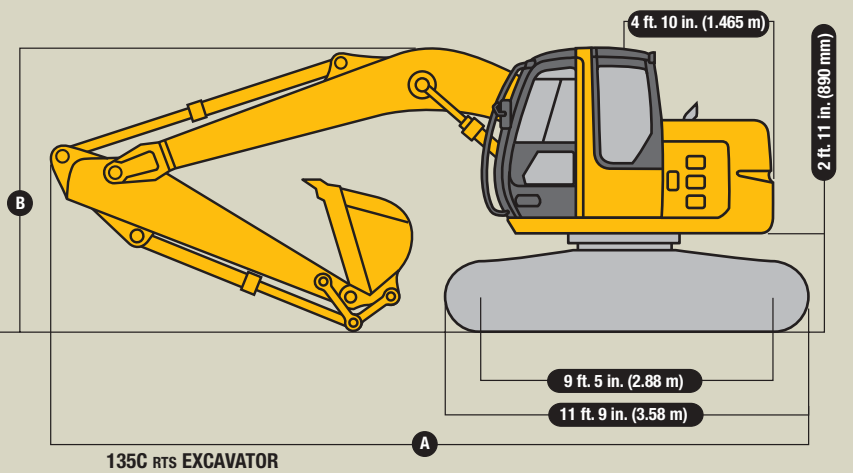
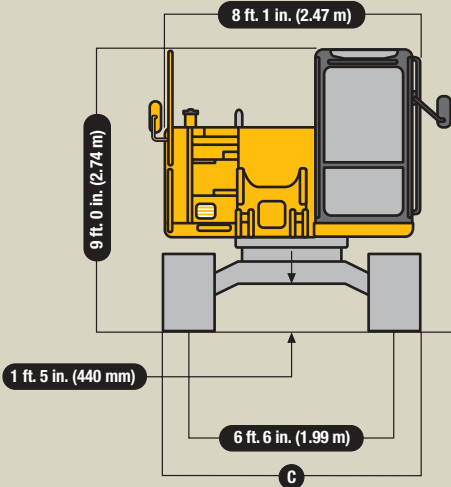
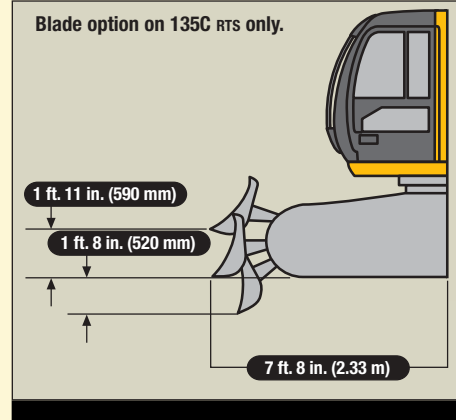


Dimensions

135C RTS

225C LC RTS

| | | |
|---|---|------------------------|
| A | With 7-ft. 3-in. (2.22 m) arm..... | 30 ft. 1 in. (9.18 m) |
| | With 8-ft. 3-in. (2.52 m) arm..... | 23 ft. 11 in. (7.29 m) |
| | With 9-ft. 7-in. (2.91 m) arm..... | 29 ft. 9 in. (9.06 m) |
| | With 9-ft. 11-in. (3.01 m) arm..... | 24 ft. 0 in. (7.31 m) |
| B | With 7-ft. 3-in. (2.22 m) arm..... | 10 ft. 4 in. (3.16 m) |
| | With 8-ft. 3-in. (2.52 m) arm..... | 9 ft. 4 in. (2.84 m) |
| | With 9-ft. 7-in. (2.91 m) arm..... | 9 ft. 10 in. (2.99 m) |
| | With 9-ft. 11-in. (3.01 m) arm..... | 9 ft. 4 in. (2.84 m) |
| C | With 20-in. (500 mm) rubber crawler pad..... | 8 ft. 2 in. (2.49 m) |
| | With 24-in. (600 mm) rubber crawler pad..... | 9 ft. 10 in. (2.99 m) |
| | With 24-in. (600 mm) triple semi-grouser shoes..... | 8 ft. 6 in. (2.59 m) |
| | With 28-in. (700 mm) triple semi-grouser shoes..... | 8 ft. 10 in. (2.69 m) |
| | With 32-in. (800 mm) triple semi-grouser shoes..... | 10 ft. 2 in. (3.09 m) |
| | Blade height..... | 18.9 in. (480 mm) |
| | Blade width | |
| With 20-in. (500 mm) rubber crawler pads..... | 8 ft. 2 in. (2.49 m) | |
| With 24-in. (600 mm) shoes..... | 8 ft. 2 in. (2.49 m) | |
| With 28-in. (700 mm) shoes..... | 8 ft. 10 in. (2.69 m) | |



135C RTS Lift Capacities

Boldface italic type indicates hydraulic-limited capacities; lightface type indicates stability-limited capacities, in lb. (kg). Ratings at bucket lift hook, machine equipped with 0.82-cu. yd. (0.63 m³), 36-in. (915 mm) wide, 1,040-lb. (472 kg) bucket; and situated on firm, uniform supporting surface. Total load includes weight of cables, hook, etc. Figures do not exceed 87 percent of hydraulic capacities or 75 percent of weight needed to tip machine. Ratings are based on SAE J1097.

| Load Point Height | 5 ft. (1.52 m) | | 10 ft. (3.05 m) | | 15 ft. (4.57 m) | | 20 ft. (6.10 m) | | 25 ft. (7.62 m) | |
|--|----------------------|----------------------|----------------------|----------------------|----------------------|---------------------|---------------------|---------------------|---------------------|--------------|
| | Over Front | Over Side | Over Front | Over Side | Over Front | Over Side | Over Front | Over Side | Over Front | Over Side |
| <i>With 8-ft. 3-in. (2.52 m) arm and 24-in. (600 mm) shoes, without blade</i> | | | | | | | | | | |
| 20 ft. (6.10 m) | | | | | 6,293 (2855) | 6,293 (2855) | | | | |
| 15 ft. (4.57 m) | | | | | 6,364 (2887) | 6,364 (2887) | 5,875 (2665) | 4,237 (1922) | | |
| 10 ft. (3.05 m) | | | 9,103 (4129) | 9,103 (4129) | 7,872 (3571) | 6,791 (3080) | 6,338 (2875) | 4,108 (1863) | | |
| 5 ft. (1.52 m) | | | | | 9,783 (4438) | 6,221 (2822) | 6,089 (2762) | 3,878 (1759) | | |
| Ground Line | | | | | 9,279 (4209) | 5,771 (2618) | 5,861 (2659) | 3,666 (1663) | | |
| -5 ft. (-1.52 m) | 7,108 (3224) | 7,108 (3224) | 17,499 (7938) | 10,751 (4877) | 9,069 (4114) | 5,582 (2532) | 5,744 (2605) | 3,558 (1614) | | |
| -10 ft. (-3.05 m) | 13,933 (6320) | 13,933 (6320) | 14,588 (6617) | 10,936 (4961) | 9,110 (4132) | 5,620 (2549) | 5,816 (2638) | 3,625 (1644) | | |
| <i>With 9-ft. 11-in. (3.01 m) arm and 24-in. (600 mm) shoes, without blade</i> | | | | | | | | | | |
| 20 ft. (6.10 m) | | | | | 5,191 (2355) | 5,191 (2355) | 3,521 (1597) | 3,521 (1597) | | |
| 15 ft. (4.57 m) | | | | | 5,383 (2442) | 5,383 (2442) | 5,636 (2556) | 4,325 (1962) | | |
| 10 ft. (3.05 m) | | | 5,583 (2532) | 5,583 (2532) | 6,750 (3062) | 6,750 (3062) | 6,212 (2818) | 4,163 (1888) | 3,608 (1637) | 2,641 (1198) |
| 5 ft. (1.52 m) | | | | | 9,227 (4185) | 6,334 (2873) | 6,124 (2778) | 3,903 (1770) | 4,145 (1880) | 2,552 (1158) |
| Ground Line | | | 12,068 (5474) | 10,874 (4932) | 9,318 (4227) | 6,796 (3083) | 5,862 (2659) | 3,651 (1656) | 4,035 (1830) | 2,448 (1110) |
| -5 ft. (-1.52 m) | 6,643 (3013) | 6,643 (3013) | 16,441 (7458) | 10,600 (4808) | 9,010 (4087) | 5,520 (2504) | 5,683 (2578) | 3,495 (1585) | | |
| -10 ft. (-3.05 m) | 14,342 (6506) | 14,342 (6506) | 15,923 (7223) | 10,699 (4853) | 8,975 (4071) | 5,488 (2489) | 5,675 (2574) | 3,487 (1582) | | |
| -15 ft. (-4.57 m) | | | 11,285 (5119) | 11,087 (5029) | 7,649 (3470) | 5,705 (2588) | | | | |
| <i>With 8-ft. 3-in. (2.52 m) arm and 28-in. (700 mm) shoes, without blade</i> | | | | | | | | | | |
| 20 ft. (6.10 m) | | | | | 6,293 (2855) | 6,293 (2855) | | | | |
| 15 ft. (4.57 m) | | | | | 6,364 (2887) | 6,364 (2887) | 5,875 (2665) | 4,303 (1952) | | |
| 10 ft. (3.05 m) | | | 9,103 (4129) | 9,103 (4129) | 7,872 (3571) | 6,885 (3123) | 6,432 (2918) | 4,174 (1893) | | |
| 5 ft. (1.52 m) | | | | | 9,924 (4502) | 6,315 (2864) | 6,184 (2805) | 3,943 (1789) | | |
| Ground Line | | | | | 9,420 (4273) | 5,864 (2660) | 6,966 (3160) | 3,732 (1693) | | |
| -5 ft. (-1.52 m) | 7,108 (3224) | 7,108 (3224) | 17,499 (7938) | 10,917 (4952) | 9,210 (4178) | 5,676 (2575) | 5,838 (2648) | 3,623 (1643) | | |
| -10 ft. (-3.05 m) | 13,933 (6320) | 13,933 (6320) | 14,588 (6617) | 11,102 (5036) | 9,251 (4196) | 6,713 (3045) | 5,911 (2681) | 3,690 (1674) | | |
| <i>With 9-ft. 11-in. (3.01 m) arm and 28-in. (700 mm) shoes, without blade</i> | | | | | | | | | | |
| 20 ft. (6.10 m) | | | | | 5,191 (2355) | 5,191 (2355) | 3,521 (1597) | 3,521 (1597) | | |
| 15 ft. (4.57 m) | | | | | 5,383 (2442) | 5,383 (2442) | 5,636 (2556) | 4,291 (1946) | | |
| 10 ft. (3.05 m) | | | 5,583 (2532) | 5,583 (2532) | 6,750 (3062) | 6,750 (3062) | 6,212 (2818) | 4,130 (1873) | 3,608 (1637) | 2,615 (1186) |
| 5 ft. (1.52 m) | | | | | 9,227 (4185) | 6,286 (2851) | 6,102 (2768) | 3,869 (1755) | 4,128 (1872) | 2,526 (1146) |
| Ground Line | | | 12,068 (5474) | 10,788 (4893) | 9,286 (4212) | 5,747 (2607) | 5,830 (2644) | 3,617 (1641) | 4,018 (1823) | 2,422 (1099) |
| -5 ft. (-1.52 m) | 6,643 (3013) | 6,643 (3013) | 16,441 (7458) | 10,514 (4769) | 8,977 (4072) | 5,472 (2482) | 5,661 (2568) | 3,461 (1570) | | |
| -10 ft. (-3.05 m) | 14,342 (6506) | 14,342 (6506) | 15,923 (7223) | 10,613 (4814) | 8,942 (4056) | 5,440 (2468) | 5,653 (2564) | 3,453 (1566) | | |
| -15 ft. (-4.57 m) | | | 11,285 (5119) | 11,001 (4990) | 7,649 (3470) | 5,656 (2566) | | | | |
| <i>With 8-ft. 3-in. (2.52 m) arm and 24-in. (600 mm) shoes, blade on ground</i> | | | | | | | | | | |
| 20 ft. (6.10 m) | | | | | 6,293 (2855) | 6,293 (2855) | | | | |
| 15 ft. (4.57 m) | | | | | 6,364 (2887) | 6,364 (2887) | 5,875 (2665) | 4,625 (2098) | | |
| 10 ft. (3.05 m) | | | 9,103 (4129) | 9,103 (4129) | 7,872 (3571) | 7,347 (3333) | 6,819 (3093) | 4,496 (2039) | | |
| 5 ft. (1.52 m) | | | | | 10,057 (4562) | 6,777 (3074) | 7,675 (3481) | 4,266 (1935) | | |
| Ground Line | | | | | 11,588 (5256) | 6,327 (2870) | 8,356 (3790) | 4,054 (1839) | | |
| -5 ft. (-1.52 m) | 7,108 (3224) | 7,108 (3224) | 17,499 (7938) | 11,735 (5323) | 11,696 (5305) | 6,138 (2784) | 8,331 (3779) | 3,945 (1789) | | |
| -10 ft. (-3.05 m) | 13,933 (6320) | 13,933 (6320) | 14,588 (6617) | 11,920 (5407) | 10,208 (4630) | 6,176 (2801) | 6,701 (3040) | 4,013 (1820) | | |
| <i>With 9-ft. 11-in. (3.01 m) arm and 24-in. (600 mm) shoes, blade on ground</i> | | | | | | | | | | |
| 20 ft. (6.10 m) | | | | | 5,191 (2355) | 5,191 (2355) | 3,521 (1597) | 3,521 (1597) | | |
| 15 ft. (4.57 m) | | | | | 5,383 (2442) | 5,383 (2442) | 5,636 (2556) | 4,588 (2081) | | |
| 10 ft. (3.05 m) | | | 5,583 (2532) | 5,583 (2532) | 6,750 (3062) | 6,750 (3062) | 6,212 (2818) | 4,426 (2008) | 3,608 (1637) | 2,843 (1290) |
| 5 ft. (1.52 m) | | | | | 9,227 (4185) | 6,712 (3045) | 7,192 (3262) | 4,166 (1890) | 5,204 (2361) | 2,754 (1249) |
| Ground Line | | | 12,068 (5474) | 11,542 (5235) | 11,128 (5048) | 6,173 (2800) | 8,068 (3660) | 3,914 (1775) | 5,531 (2509) | 2,650 (1202) |
| -5 ft. (-1.52 m) | 6,643 (3013) | 6,643 (3013) | 16,441 (7458) | 11,267 (5111) | 11,713 (5313) | 5,897 (2675) | 8,352 (3788) | 3,758 (1705) | | |
| -10 ft. (-3.05 m) | 14,342 (6506) | 14,342 (6506) | 15,923 (7223) | 11,367 (5156) | 10,788 (4893) | 5,866 (2661) | 7,506 (3405) | 3,750 (1701) | | |
| -15 ft. (-4.57 m) | | | 11,285 (5119) | 11,285 (5119) | 7,649 (3470) | 6,082 (2759) | | | | |

135C RTS Lift Capacities (continued)

Boldface italic type indicates hydraulic-limited capacities; lightface type indicates stability-limited capacities, in lb. (kg). Ratings at bucket lift hook, machine equipped with 0.82-cu. yd. (0.63 m³), 36-in. (915 mm) wide, 1,040-lb. (472 kg) bucket; and situated on firm, uniform supporting surface. Total load includes weight of cables, hook, etc. Figures do not exceed 87 percent of hydraulic capacities or 75 percent of weight needed to tip machine. Ratings are based on SAE J1097.

| Load Point Height | 5 ft. (1.52 m) | | 10 ft. (3.05 m) | | 15 ft. (4.57 m) | | 20 ft. (6.10 m) | | 25 ft. (7.62 m) | |
|---|----------------------|----------------------|----------------------|----------------------|----------------------|---------------------|---------------------|---------------------|---------------------|--------------|
| | Over Front | Over Side | Over Front | Over Side | Over Front | Over Side | Over Front | Over Side | Over Front | Over Side |
| <i>With 8-ft. 3-in. (2.52 m) arm and 28-in. (700 mm) shoes, blade on ground</i> | | | | | | | | | | |
| 20 ft. (6.10 m) | | | | | 6,293 (2855) | 6,293 (2855) | | | | |
| 15 ft. (4.57 m) | | | | | 6,364 (2887) | 6,364 (2887) | 5,875 (2665) | 4,690 (2127) | | |
| 10 ft. (3.05 m) | | | 9,103 (4129) | 9,103 (4129) | 7,872 (3571) | 7,441 (3375) | 6,819 (3093) | 4,561 (2069) | | |
| 5 ft. (1.52 m) | | | | | 10,057 (4562) | 6,871 (3117) | 7,675 (3481) | 4,331 (1965) | | |
| Ground Line | | | | | 11,588 (5256) | 6,420 (2912) | 8,356 (3790) | 4,119 (1868) | | |
| -5 ft. (-1.52 m) | 7,108 (3224) | 7,108 (3224) | 17,499 (7938) | 11,901 (5398) | 11,696 (5305) | 6,232 (2827) | 8,331 (3779) | 4,011 (1819) | | |
| -10 ft. (-3.05 m) | 13,933 (6320) | 13,933 (6320) | 14,588 (6617) | 12,086 (5482) | 10,208 (4630) | 6,269 (2844) | 6,701 (3040) | 4,078 (1850) | | |
| <i>With 9-ft. 11-in. (3.01 m) arm and 28-in. (700 mm) shoes, blade on ground</i> | | | | | | | | | | |
| 20 ft. (6.10 m) | | | | | 5,191 (2355) | 5,191 (2355) | 3,521 (1597) | 3,521 (1597) | | |
| 15 ft. (4.57 m) | | | | | 5,383 (2442) | 5,383 (2442) | 5,636 (2556) | 4,653 (2111) | | |
| 10 ft. (3.05 m) | | | 5,583 (2532) | 5,583 (2532) | 6,750 (3062) | 6,750 (3062) | 6,212 (2818) | 4,492 (2038) | 3,608 (1637) | 2,893 (1312) |
| 5 ft. (1.52 m) | | | | | 9,227 (4185) | 6,805 (3087) | 7,192 (3262) | 4,232 (1920) | 5,204 (2361) | 2,804 (1272) |
| Ground Line | | | 12,068 (5474) | 11,708 (5311) | 11,128 (5048) | 6,267 (2843) | 8,068 (3660) | 3,980 (1805) | 5,531 (2509) | 2,700 (1225) |
| -5 ft. (-1.52 m) | 6,643 (3013) | 6,643 (3013) | 16,441 (7458) | 11,433 (5186) | 11,713 (5313) | 5,991 (2718) | 8,352 (3788) | 3,824 (1735) | | |
| -10 ft. (-3.05 m) | 14,342 (6506) | 14,342 (6506) | 15,923 (7223) | 11,533 (5231) | 10,788 (4893) | 5,960 (2703) | 7,506 (3405) | 3,816 (1731) | | |
| -15 ft. (-4.57 m) | | | 11,285 (5119) | 11,285 (5119) | 7,649 (3470) | 6,176 (2801) | | | | |
| <i>With 8-ft. 3-in. (2.52 m) arm and 20-in. (500 mm) rubber crawler pad, without blade</i> | | | | | | | | | | |
| 20 ft. (6.10 m) | | | | | 6,293 (2855) | 6,293 (2855) | | | | |
| 15 ft. (4.57 m) | | | | | 6,364 (2887) | 6,364 (2887) | 5,875 (2665) | 4,167 (1890) | | |
| 10 ft. (3.05 m) | | | 9,103 (4129) | 9,103 (4129) | 7,872 (3571) | 6,689 (3034) | 6,235 (2828) | 4,037 (1831) | | |
| 5 ft. (1.52 m) | | | | | 9,630 (4368) | 6,119 (2776) | 5,986 (2715) | 3,807 (1727) | | |
| Ground Line | | | | | 9,127 (4140) | 5,669 (2571) | 5,758 (2612) | 3,596 (1631) | | |
| -5 ft. (-1.52 m) | 7,108 (3224) | 7,108 (3224) | 17,499 (7938) | 10,572 (4795) | 8,916 (4044) | 5,481 (2486) | 5,641 (2559) | 3,487 (1582) | | |
| -10 ft. (-3.05 m) | 13,933 (6320) | 13,933 (6320) | 14,588 (6617) | 10,757 (4879) | 8,958 (4063) | 5,518 (2503) | 5,713 (2591) | 3,554 (1612) | | |
| <i>With 9-ft. 11-in. (3.01 m) arm and 20-in. (500 mm) rubber crawler pad, without blade</i> | | | | | | | | | | |
| 20 ft. (6.10 m) | | | | | 5,191 (2355) | 5,191 (2355) | 3,521 (1597) | 3,521 (1597) | | |
| 15 ft. (4.57 m) | | | | | 5,383 (2442) | 5,383 (2442) | 5,636 (2556) | 4,254 (1930) | | |
| 10 ft. (3.05 m) | | | 5,583 (2532) | 5,583 (2532) | 6,750 (3062) | 6,750 (3062) | 6,212 (2818) | 4,093 (1857) | 3,608 (1637) | 2,586 (1173) |
| 5 ft. (1.52 m) | | | | | 9,227 (4185) | 6,233 (2827) | 6,021 (2731) | 3,832 (1738) | 4,067 (1845) | 2,498 (1133) |
| Ground Line | | | 12,068 (5474) | 10,694 (4851) | 8,803 (3993) | 5,694 (2583) | 5,749 (2608) | 3,580 (1624) | 3,957 (1795) | 2,394 (1086) |
| -5 ft. (-1.52 m) | 6,643 (3013) | 6,643 (3013) | 16,441 (7458) | 10,420 (4727) | 8,495 (3853) | 5,418 (2458) | 5,581 (2532) | 3,424 (1553) | | |
| -10 ft. (-3.05 m) | 14,342 (6506) | 14,342 (6506) | 15,923 (7223) | 10,519 (4771) | 8,459 (3837) | 5,387 (2444) | 5,572 (2527) | 3,416 (1549) | | |
| -15 ft. (-4.57 m) | | | 11,285 (5119) | 10,907 (4947) | 7,649 (3470) | 5,603 (2542) | | | | |
| <i>With 8-ft. 3-in. (2.52 m) arm and 20-in. (500 mm) rubber crawler pad, blade on ground</i> | | | | | | | | | | |
| 20 ft. (6.10 m) | | | | | 6,293 (2855) | 6,293 (2855) | | | | |
| 15 ft. (4.57 m) | | | | | 6,364 (2887) | 6,364 (2887) | 5,875 (2665) | 4,529 (2054) | | |
| 10 ft. (3.05 m) | | | 9,103 (4129) | 9,103 (4129) | 7,872 (3571) | 7,209 (3270) | 6,819 (3093) | 4,400 (1996) | | |
| 5 ft. (1.52 m) | | | | | 10,057 (4562) | 6,639 (3011) | 7,675 (3481) | 4,170 (1892) | | |
| Ground Line | | | | | 11,588 (5256) | 6,189 (2807) | 8,356 (3790) | 3,958 (1795) | | |
| -5 ft. (-1.52 m) | 7,108 (3224) | 7,108 (3224) | 17,499 (7938) | 11,491 (5212) | 11,696 (5305) | 6,001 (2722) | 8,331 (3779) | 3,849 (1746) | | |
| -10 ft. (-3.05 m) | 13,933 (6320) | 13,933 (6320) | 14,588 (6617) | 11,676 (5296) | 10,208 (4630) | 6,038 (2739) | 6,701 (3040) | 3,917 (1777) | | |
| <i>With 9-ft. 11-in. (3.01 m) arm and 20-in. (500 mm) rubber crawler pad, blade on ground</i> | | | | | | | | | | |
| 20 ft. (6.10 m) | | | | | 5,191 (2355) | 5,191 (2355) | 3,521 (1597) | 3,521 (1597) | | |
| 15 ft. (4.57 m) | | | | | 5,383 (2442) | 5,383 (2442) | 5,636 (2556) | 4,616 (2094) | | |
| 10 ft. (3.05 m) | | | 5,583 (2532) | 5,583 (2532) | 6,750 (3062) | 6,750 (3062) | 6,212 (2818) | 4,455 (2021) | 3,608 (1637) | 2,865 (1300) |
| 5 ft. (1.52 m) | | | | | 9,227 (4185) | 6,752 (3063) | 7,192 (3262) | 4,195 (1903) | 5,204 (2361) | 2,776 (1259) |
| Ground Line | | | 12,068 (5474) | 11,614 (5268) | 11,128 (5048) | 6,214 (2819) | 8,068 (3660) | 3,943 (1789) | 5,531 (2509) | 2,672 (1212) |
| -5 ft. (-1.52 m) | 6,643 (3013) | 6,643 (3013) | 16,441 (7458) | 11,340 (5144) | 11,713 (5313) | 5,938 (2693) | 8,352 (3788) | 3,787 (1718) | | |
| -10 ft. (-3.05 m) | 14,342 (6506) | 14,342 (6506) | 15,923 (7223) | 11,439 (5189) | 10,788 (4893) | 5,906 (2679) | 7,506 (3405) | 3,779 (1714) | | |
| -15 ft. (-4.57 m) | | | 11,285 (5119) | 11,285 (5119) | 7,649 (3470) | 6,123 (2777) | | | | |

225C LC RTS Lift Capacities

Boldface italic type indicates hydraulic-limited capacities; lightface type indicates stability-limited capacities, in lb. (kg). Ratings at bucket lift hook, machine equipped with 1.12-cu. yd. (0.86 m³), 42-in. (1067 mm) wide, 1,590-lb. (721 kg) bucket; and situated on firm, uniform supporting surface. Total load includes weight of cables, hook, etc. Figures do not exceed 87 percent of hydraulic capacities or 75 percent of weight needed to tip machine. Ratings are with Power Boost and based on SAE J1097.

| Load Point Height | 5 ft. (1.52 m) | | 10 ft. (3.05 m) | | 15 ft. (4.57 m) | | 20 ft. (6.10 m) | | 25 ft. (7.62 m) | |
|---|----------------------|----------------------|------------------------|------------------------|----------------------|----------------------|----------------------|----------------------|----------------------|----------------------|
| | Over Front | Over Side | Over Front | Over Side | Over Front | Over Side | Over Front | Over Side | Over Front | Over Side |
| <i>With 7-ft. 3-in. (2.22 m) arm and 28-in. (700 mm) shoes</i> | | | | | | | | | | |
| 25 ft. (7.60 m) | | | | | 6,895 (3128) | 6,895 (3128) | | | | |
| 20 ft. (6.10 m) | | | | | 10,496 (4761) | 10,496 (4761) | 10,248 (4648) | 9,640 (4373) | | |
| 15 ft. (4.57 m) | | | | | 13,218 (5996) | 13,218 (5996) | 11,176 (5069) | 9,334 (4234) | 10,306 (4675) | 6,292 (2854) |
| 10 ft. (3.05 m) | | | | | | | 13,030 (5910) | 8,800 (3992) | 10,096 (4580) | 6,098 (2766) |
| 5 ft. (1.52 m) | | | | | | | 13,900 (6305) | 8,275 (3754) | 9,830 (4459) | 5,853 (2655) |
| Ground Line | | | | | | | 13,535 (6139) | 7,947 (3605) | 9,635 (4370) | 5,674 (2574) |
| -5 ft. (-1.52 m) | | | | | | 20,922 (9490) | 12,178 (5524) | 13,428 (6091) | 7,851 (3561) | 9,596 (4353) |
| -10 ft. (-3.05 m) | | | 19,331 (8768) | 19,331 (8768) | 18,281 (8242) | 12,394 (5622) | 13,569 (6155) | 7,977 (3618) | | |
| -15 ft. (-4.57 m) | | | 15,996 (7256) | 15,996 (7256) | 12,958 (5878) | 12,907 (5855) | | | | |
| <i>With 7-ft. 3-in. (2.22 m) arm and 32-in. (800 mm) shoes</i> | | | | | | | | | | |
| 25 ft. (7.60 m) | | | | | 6,895 (3128) | 6,895 (3128) | | | | |
| 20 ft. (6.10 m) | | | | | 10,496 (4761) | 10,496 (4761) | 10,248 (4648) | 9,749 (4422) | | |
| 15 ft. (4.57 m) | | | | | 13,218 (5996) | 13,218 (5996) | 11,176 (5069) | 9,443 (4283) | 10,393 (4714) | 6,375 (2892) |
| 10 ft. (3.05 m) | | | | | | | 13,030 (5910) | 8,909 (4041) | 10,225 (4638) | 6,182 (2804) |
| 5 ft. (1.52 m) | | | | | | | 14,073 (6383) | 8,384 (3803) | 9,958 (4517) | 5,936 (2693) |
| Ground Line | | | | | | | 13,708 (6218) | 8,056 (3654) | 9,764 (4429) | 5,757 (2611) |
| -5 ft. (-1.52 m) | | | | | | 20,922 (9490) | 12,336 (5596) | 13,601 (6169) | 7,960 (3611) | 9,725 (4411) |
| -10 ft. (-3.05 m) | | | 19,331 (8768) | 19,331 (8768) | 18,281 (8292) | 12,552 (5694) | 13,742 (6233) | 8,086 (3668) | | |
| -15 ft. (-4.57 m) | | | 15,996 (7256) | 15,996 (7256) | 12,958 (5878) | 12,958 (5878) | | | | |
| <i>With 9-ft. 7-in. (2.91 m) arm and 28-in. (700 mm) shoes</i> | | | | | | | | | | |
| 25 ft. (7.60 m) | | | | | | | 6,465 (2933) | 6,465 (2933) | | |
| 20 ft. (6.10 m) | | | | | 8,358 (3791) | 8,358 (3791) | 8,675 (3935) | 8,675 (3935) | 6,873 (3118) | 6,873 (3118) |
| 15 ft. (4.57 m) | | | | | 10,928 (4957) | 10,928 (4957) | 9,790 (4441) | 9,790 (4441) | 9,217 (4181) | 7,067 (3206) |
| 10 ft. (3.05 m) | | | | | 15,496 (7029) | 15,496 (7029) | 11,789 (5347) | 9,895 (4488) | 10,083 (4574) | 6,812 (3090) |
| 5 ft. (1.52 m) | | | | | 20,025 (9083) | 20,025 (9083) | 14,277 (6476) | 13,935 (6321) | 9,291 (4214) | 11,056 (5015) |
| Ground Line | | | | | 21,994 (9976) | 13,616 (6176) | 15,318 (6948) | 8,852 (4015) | 10,789 (4894) | 6,271 (2845) |
| -5 ft. (-1.52 m) | | | 14,415 (6539) | 14,415 (6539) | 21,725 (9854) | 13,460 (6105) | 15,090 (6845) | 8,650 (3924) | 10,656 (4834) | 6,149 (2789) |
| -10 ft. (-3.05 m) | 18,955 (8598) | 18,955 (8598) | 24,180 (10 968) | 24,180 (10 968) | 19,849 (9004) | 13,578 (6159) | 14,718 (6676) | 8,671 (3933) | 10,727 (4866) | 6,214 (2819) |
| -15 ft. (-4.57 m) | | | 21,084 (9564) | 21,084 (9564) | 15,909 (7216) | 13,952 (6329) | 11,426 (5183) | 8,965 (4067) | | |
| <i>With 9-ft. 7-in. (2.91 m) arm and 32-in. (800 mm) shoes</i> | | | | | | | | | | |
| 25 ft. (7.60 m) | | | | | | | 6,465 (2933) | 6,465 (2933) | | |
| 20 ft. (6.10 m) | | | | | 8,358 (3791) | 8,358 (3791) | 8,675 (3935) | 8,675 (3935) | 6,873 (3118) | 6,873 (3118) |
| 15 ft. (4.57 m) | | | | | 10,928 (4957) | 10,928 (4957) | 9,790 (4441) | 9,790 (4441) | 9,217 (4181) | 7,177 (3255) |
| 10 ft. (3.05 m) | | | | | 15,496 (7029) | 15,496 (7029) | 11,789 (5347) | 10,040 (4554) | 10,083 (4574) | 6,923 (3140) |
| 5 ft. (1.52 m) | | | | | 20,025 (9083) | 20,025 (9083) | 14,489 (6572) | 13,935 (6321) | 9,436 (4280) | 11,129 (5048) |
| Ground Line | | | | | 21,994 (9976) | 13,828 (6272) | 15,397 (6984) | 8,997 (4081) | 10,957 (4970) | 6,381 (2894) |
| -5 ft. (-1.52 m) | | | 14,415 (6539) | 14,415 (6539) | 21,725 (9854) | 13,672 (6202) | 15,317 (6948) | 8,795 (3989) | 10,824 (4910) | 6,259 (2839) |
| -10 ft. (-3.05 m) | 18,955 (8598) | 18,955 (8598) | 24,180 (10 968) | 24,180 (10 968) | 19,849 (9004) | 13,790 (6255) | 14,718 (6676) | 8,816 (3999) | 10,768 (4884) | 6,324 (2869) |
| -15 ft. (-4.57 m) | | | 21,084 (9564) | 21,084 (9564) | 15,909 (7216) | 14,164 (6425) | 11,426 (5183) | 9,110 (4132) | | |
| <i>With 9-ft. 7-in. (2.91 m) arm and 24-in. (600 mm) rubber crawler pad</i> | | | | | | | | | | |
| 25 ft. (7.60 m) | | | | | 6,895 (3128) | 6,895 (3128) | | | | |
| 20 ft. (6.10 m) | | | | | 10,496 (4761) | 10,496 (4761) | 10,248 (4648) | 9,565 (4339) | | |
| 15 ft. (4.57 m) | | | | | 13,218 (5996) | 13,218 (5996) | 11,176 (5069) | 9,260 (4200) | 10,218 (4635) | 6,235 (2828) |
| 10 ft. (3.05 m) | | | | | | | 13,030 (5910) | 8,726 (3958) | 10,008 (4540) | 6,041 (2740) |
| 5 ft. (1.52 m) | | | | | | | 13,782 (6251) | 8,200 (3719) | 9,742 (4419) | 5,795 (2629) |
| Ground Line | | | | | | | 13,417 (6086) | 7,872 (3571) | 9,547 (4330) | 5,616 (2547) |
| -5 ft. (-1.52 m) | | | | | | 20,922 (9490) | 12,069 (5474) | 13,310 (6037) | 7,776 (3527) | 9,508 (4313) |
| -10 ft. (-3.05 m) | | | 19,331 (8768) | 19,331 (8768) | 18,281 (8292) | 12,286 (5573) | 13,450 (6101) | 7,902 (3584) | | |
| -15 ft. (-4.57 m) | | | 15,996 (7256) | 15,996 (7256) | 12,958 (5878) | 12,799 (5806) | | | | |
| <i>With 9-ft. 7-in. (2.91 m) arm and 24-in. (600 mm) rubber crawler pad</i> | | | | | | | | | | |
| 25 ft. (7.60 m) | | | | | | | 6,465 (2933) | 6,465 (2933) | | |
| 20 ft. (6.10 m) | | | | | 8,358 (3791) | 8,358 (3791) | 8,675 (3935) | 8,675 (3935) | 6,873 (3118) | 6,411 (2908) |
| 15 ft. (4.57 m) | | | | | 10,928 (4957) | 10,928 (4957) | 9,790 (4441) | 9,446 (4285) | 9,217 (4181) | 6,341 (2876) |
| 10 ft. (3.05 m) | | | | | 15,496 (7029) | 15,496 (7029) | 11,789 (5347) | 8,889 (4032) | 10,073 (4569) | 6,090 (2762) |
| 5 ft. (1.52 m) | | | | | 20,025 (9083) | 20,025 (9083) | 12,696 (5759) | 13,905 (6307) | 9,754 (4424) | 5,796 (2629) |
| Ground Line | | | | | 21,271 (9648) | 12,052 (5467) | 13,426 (6090) | 7,866 (3568) | 9,494 (4306) | 5,556 (2520) |
| -5 ft. (-1.52 m) | | | 14,415 (6539) | 14,415 (6539) | 21,094 (9568) | 11,902 (5399) | 13,206 (5990) | 7,668 (3478) | 9,364 (4247) | 5,436 (2466) |
| -10 ft. (-3.05 m) | 18,955 (8598) | 18,955 (8598) | 24,180 (10 968) | 23,870 (10 827) | 19,849 (9003) | 12,016 (5450) | 13,228 (6000) | 7,688 (3487) | 9,433 (4279) | 5,500 (2495) |
| -15 ft. (-4.57 m) | | | 21,084 (9564) | 21,084 (9564) | 15,909 (7216) | 12,379 (5615) | 11,426 (5183) | 7,976 (3618) | | |

135C RTS Buckets

A full line of buckets is offered to meet a wide variety of applications. The buckets have an adjustable bushing for side clearance, with the exception of the ditching bucket. Tooth selection includes either the John Deere Fanggs® or the ESCO (Helilok) Standard tooth. Replaceable cutting edges are available through John Deere parts. Optional side cutters add 6 inches (150 mm) to bucket widths.

| Type Bucket | Bucket Width | | Bucket Capacity* | | Weight | | Bucket Dig Force | | Arm Dig Force 8 ft. 3 in. (2.52 m) | | Arm Dig Force 9 ft. 11 in. (3.01 m) | | Bucket Tip Radius | | No. Teeth |
|---------------------------|--------------|------|------------------|------|--------|-----|------------------|-------|------------------------------------|------|-------------------------------------|------|-------------------|------|-----------|
| | in. | mm | cu. yd. | m³ | lb. | kg | lb. | kN | lb. | kN | lb. | kN | in. | mm | |
| General-Purpose Plate Lip | 18 | 460 | 0.35 | 0.27 | 727 | 330 | 19,400 | 86.3 | 14,100 | 63.0 | 12,800 | 57.0 | 48.5 | 1230 | 3 |
| | 24 | 610 | 0.50 | 0.38 | 891 | 404 | 19,400 | 86.3 | 14,100 | 63.0 | 12,800 | 57.0 | 48.5 | 1230 | 4 |
| | 30 | 760 | 0.66 | 0.50 | 996 | 452 | 19,400 | 86.3 | 14,100 | 63.0 | 12,800 | 57.0 | 48.5 | 1230 | 4 |
| | 36 | 915 | 0.82 | 0.63 | 1,040 | 472 | 19,400 | 86.3 | 14,100 | 63.0 | 12,800 | 57.0 | 48.5 | 1230 | 5 |
| | 42 | 1065 | 0.98 | 0.75 | 1,239 | 562 | 19,400 | 86.3 | 14,100 | 63.0 | 12,800 | 57.0 | 48.5 | 1230 | 5 |
| | 48 | 1220 | 1.15 | 0.88 | 1,493 | 672 | 19,400 | 86.3 | 14,100 | 63.0 | 12,800 | 57.0 | 48.5 | 1230 | 6 |
| Heavy-Duty Plate Lip | 18 | 460 | 0.35 | 0.27 | 829 | 376 | 19,400 | 86.3 | 14,100 | 63.0 | 12,800 | 57.0 | 48.5 | 1230 | 3 |
| | 24 | 610 | 0.50 | 0.38 | 931 | 422 | 19,400 | 86.3 | 14,100 | 63.0 | 12,800 | 57.0 | 48.5 | 1230 | 4 |
| | 30 | 760 | 0.66 | 0.50 | 1,093 | 496 | 19,400 | 86.3 | 14,100 | 63.0 | 12,800 | 57.0 | 48.5 | 1230 | 4 |
| | 36 | 915 | 0.82 | 0.63 | 1,275 | 578 | 19,400 | 86.3 | 14,100 | 63.0 | 12,800 | 57.0 | 48.5 | 1230 | 5 |
| | 42 | 1065 | 0.98 | 0.75 | 1,359 | 616 | 19,400 | 86.3 | 14,100 | 63.0 | 12,800 | 57.0 | 48.5 | 1230 | 5 |
| | 48 | 1220 | 1.15 | 0.88 | 1,564 | 709 | 19,400 | 86.3 | 14,100 | 63.0 | 12,800 | 57.0 | 48.5 | 1230 | 6 |
| Ditching | 48 | 1220 | 0.67 | 0.51 | 810 | 367 | 25,430 | 113.1 | 15,292 | 68.0 | 13,760 | 61.2 | 37.0 | 940 | 0 |
| | 60 | 1525 | 0.90 | 0.69 | 951 | 432 | 25,430 | 113.1 | 15,292 | 68.0 | 13,760 | 61.2 | 37.0 | 940 | 0 |
| | 72 | 1829 | 1.06 | 0.81 | 1,069 | 485 | 25,430 | 113.1 | 15,292 | 68.0 | 13,760 | 61.2 | 37.0 | 940 | 0 |

*All capacities are SAE heaped ratings.

225C LC RTS Buckets

A full line of buckets is offered to meet a wide variety of applications. The buckets have an adjustable bushing for side clearance, with the exception of the ditching bucket. Tooth selection includes either the John Deere Fanggs® or the ESCO (Helilok) Standard tooth. Replaceable cutting edges are available through John Deere parts. Digging forces are with Power Boost. Optional side cutters add 6 inches (150 mm) to bucket widths.

| Type Bucket | Bucket Width | | Bucket Capacity* | | Weight | | Bucket Dig Force | | Arm Dig Force 7 ft. 3 in. (2.22 m) | | Arm Dig Force 9 ft. 7 in. (2.91 m) | | Bucket Tip Radius | | No. Teeth |
|-------------------------------|--------------|-------|------------------|------|--------|-----|------------------|-------|------------------------------------|-------|------------------------------------|-------|-------------------|------|-----------|
| | in. | mm | cu. yd. | m³ | lb. | kg | lb. | kN | lb. | kN | lb. | kN | in. | mm | |
| General-Purpose Plate Lip | 24 | 610 | 0.59 | 0.45 | 1,106 | 502 | 30,410 | 135.3 | 29,946 | 133.2 | 23,250 | 103.4 | 55.5 | 1410 | 4 |
| | 30 | 760 | 0.77 | 0.59 | 1,182 | 536 | 30,410 | 135.3 | 29,946 | 133.2 | 23,250 | 103.4 | 55.5 | 1410 | 4 |
| | 36 | 915 | 0.95 | 0.73 | 1,401 | 635 | 30,410 | 135.3 | 29,946 | 133.2 | 23,250 | 103.4 | 55.5 | 1410 | 5 |
| | 42 | 1065 | 1.12 | 0.86 | 1,590 | 721 | 30,410 | 135.3 | 29,946 | 133.2 | 23,250 | 103.4 | 55.5 | 1410 | 5 |
| | 48 | 1220 | 1.30 | 0.99 | 1,673 | 759 | 30,410 | 135.3 | 29,946 | 133.2 | 23,250 | 103.4 | 55.5 | 1410 | 6 |
| General-Purpose High Capacity | 30 | 760 | 0.95 | 0.73 | 1,391 | 631 | 29,348 | 130.5 | 29,531 | 131.4 | 22,979 | 102.2 | 57.5 | 1461 | 4 |
| | 36 | 915 | 1.16 | 0.89 | 1,451 | 658 | 29,348 | 130.5 | 29,531 | 131.4 | 22,979 | 102.2 | 57.5 | 1461 | 5 |
| | 42 | 1065 | 1.38 | 1.06 | 1,596 | 724 | 29,348 | 130.5 | 29,531 | 131.4 | 22,979 | 102.2 | 57.5 | 1461 | 5 |
| | 48 | 1220 | 1.60 | 1.22 | 1,785 | 809 | 29,348 | 130.5 | 29,531 | 131.4 | 22,979 | 102.2 | 57.5 | 1461 | 6 |
| Heavy-Duty Plate Lip | 24 | 610 | 0.59 | 0.45 | 1,358 | 616 | 30,410 | 135.3 | 29,946 | 133.2 | 23,250 | 103.4 | 55.5 | 1410 | 4 |
| | 30 | 760 | 0.77 | 0.59 | 1,447 | 656 | 30,410 | 135.3 | 29,946 | 133.2 | 23,250 | 103.4 | 55.5 | 1410 | 4 |
| | 36 | 915 | 0.95 | 0.73 | 1,567 | 711 | 30,410 | 135.3 | 29,946 | 133.2 | 23,250 | 103.4 | 55.5 | 1410 | 5 |
| | 42 | 1065 | 1.12 | 0.86 | 1,676 | 760 | 30,410 | 135.3 | 29,946 | 133.2 | 23,250 | 103.4 | 55.5 | 1410 | 5 |
| | 48 | 1220 | 1.30 | 0.99 | 1,759 | 798 | 30,410 | 135.3 | 29,946 | 133.2 | 23,250 | 103.4 | 55.5 | 1410 | 6 |
| Heavy-Duty High Capacity | 24 | 610 | 0.73 | 0.56 | 1,401 | 635 | 29,348 | 130.5 | 29,531 | 131.4 | 22,979 | 102.2 | 57.5 | 1461 | 4 |
| | 30 | 760 | 0.95 | 0.73 | 1,528 | 693 | 29,348 | 130.5 | 29,531 | 131.4 | 22,979 | 102.2 | 57.5 | 1461 | 4 |
| | 36 | 915 | 1.16 | 0.89 | 1,629 | 739 | 29,348 | 130.5 | 29,531 | 131.4 | 22,979 | 102.2 | 57.5 | 1461 | 5 |
| | 48 | 1065 | 1.38 | 1.06 | 1,701 | 771 | 29,348 | 130.5 | 29,531 | 131.4 | 22,979 | 102.2 | 57.5 | 1461 | 5 |
| Severe-Duty Cast Lip | 24 | 610 | 0.59 | 0.45 | 1,439 | 653 | 30,410 | 135.3 | 29,946 | 133.2 | 23,250 | 103.4 | 55.5 | 1410 | 3 |
| | 30 | 760 | 0.77 | 0.59 | 1,551 | 703 | 30,410 | 135.3 | 29,946 | 133.2 | 23,250 | 103.4 | 55.5 | 1410 | 4 |
| | 36 | 915 | 0.95 | 0.73 | 1,629 | 739 | 30,410 | 135.3 | 29,946 | 133.2 | 23,250 | 103.4 | 55.5 | 1410 | 4 |
| Severe-Duty Plate Lip | 30 | 760 | 0.77 | 0.59 | 1,760 | 798 | 30,410 | 135.3 | 29,946 | 133.2 | 23,250 | 103.4 | 55.5 | 1410 | 4 |
| | 36 | 915 | 0.95 | 0.73 | 1,859 | 843 | 30,410 | 135.3 | 29,946 | 133.2 | 23,250 | 103.4 | 55.5 | 1410 | 4 |
| Ditching | 60 | 1,500 | 0.90 | 0.69 | 1,121 | 508 | 45,615 | 202.9 | 34,400 | 153.0 | 24,881 | 110.7 | 37.0 | 940 | 0 |
| | 72 | 1,800 | 1.06 | 0.81 | 1,244 | 564 | 45,615 | 202.9 | 34,400 | 153.0 | 24,881 | 110.7 | 37.0 | 940 | 0 |

*All capacities are SAE heaped ratings.

Bucket Selection Guide

135C RTS

225C LC RTS

| Recommended Bucket Size* | 135C RTS | | 225C LC RTS | |
|---|--|--|--|--|
| | General-Purpose Bucket | Heavy-Duty Bucket | General-Purpose Bucket | Heavy-Duty Bucket |
| Material (loose weight) | | | | |
| Wood chips – 700 lb./cu. yd. (420 kg/m ³) | 3.25 cu. yd. (2.5 m ³) | — | 6.50 cu. yd. (5.0 m ³) | — |
| Peat, dry – 750 lb./cu. yd. (440 kg/m ³) | 2.75 cu. yd. (2.1 m ³) | — | 5.50 cu. yd. (4.2 m ³) | — |
| Cinders – 950 lb./cu. yd. (560 kg/m ³) | 2.00 cu. yd. (1.5 m ³) | — | 4.00 cu. yd. (3.1 m ³) | — |
| Peat, wet – 1,170 lb./cu. yd. (690 kg/m ³) | 1.75 cu. yd. (1.3 m ³) | — | 3.50 cu. yd. (2.7 m ³) | — |
| Topsoil – 1,600 lb./cu. yd. (950 kg/m ³) | 1.38 cu. yd. (1.1 m ³) | — | 2.50 cu. yd. (1.9 m ³) | — |
| Coal – 1,780 lb./cu. yd. (1050 kg/m ³) | 1.25 cu. yd. (1.0 m ³) | — | 2.25 cu. yd. (1.7 m ³) | — |
| Caliche – 2,100 lb./cu. yd. (1250 kg/m ³) | 0.63–0.88 cu. yd. (0.5–0.7 m ³) | 0.50–0.75 cu. yd. (0.4–0.6 m ³) | 1.38–1.75 cu. yd. (1.1–1.3 m ³) | 1.25–1.50 cu. yd. (1.0–1.2 m ³) |
| Earth, loam – 2,100 lb./cu. yd. (1250 kg/m ³) | 0.88 cu. yd. (0.7 m ³) | 0.75 cu. yd. (0.6 m ³) | 1.75 cu. yd. (1.3 m ³) | 1.50 cu. yd. (1.2 m ³) |
| Shale – 2,250 lb./cu. yd. (1330 kg/m ³) | 0.88 cu. yd. (0.7 m ³) | 0.75 cu. yd. (0.6 m ³) | 1.75 cu. yd. (1.3 m ³) | 1.50 cu. yd. (1.2 m ³) |
| Sand, dry – 2,400 lb./cu. yd. (1420 kg/m ³) | 0.88 cu. yd. (0.7 m ³) | 0.75 cu. yd. (0.6 m ³) | 1.75 cu. yd. (1.3 m ³) | 1.50 cu. yd. (1.2 m ³) |
| Clay, dry – 2,500 lb./cu. yd. (1480 kg/m ³) | 0.63–0.88 cu. yd. (0.5–0.7 m ³) | 0.75 cu. yd. (0.6 m ³) | 1.12–1.50 cu. yd. (0.9–1.1 m ³) | 1.38 cu. yd. (1.1 m ³) |
| Earth, dry – 2,550 lb./cu. yd. (1510 kg/m ³) | 0.63–0.75 cu. yd. (0.5–0.6 m ³) | 0.63 cu. yd. (0.5 m ³) | 1.38–1.50 cu. yd. (1.1–1.2 m ³) | 1.38 cu. yd. (1.1 m ³) |
| Limestone, broken or crushed – 2,600 lb./ cu. yd. (1540 kg/m ³) | 0.50–0.75 cu. yd. (0.4–0.6 m ³) | 0.50–0.63 cu. yd. (0.4–0.5 m ³) | 1.12–1.50 cu. yd. (0.9–1.2 m ³) | 1.00–1.38 cu. yd. (0.8–1.1 m ³) |
| Earth, wet – 2,700 lb./cu. yd. (1600 kg/m ³) | 0.75 cu. yd. (0.6 m ³) | 0.63 cu. yd. (0.5 m ³) | 1.50 cu. yd. (1.2 m ³) | 1.38 cu. yd. (1.1 m ³) |
| Clay, wet – 2,800 lb./cu. yd. (1660 kg/m ³) | 0.75 cu. yd. (0.6 m ³) | 0.63 cu. yd. (0.5 m ³) | 1.50 cu. yd. (1.2 m ³) | 1.38 cu. yd. (1.1 m ³) |
| Rock, granite, blasted and broken – 2,800 lb./ cu. yd. (1660 kg/m ³) | 0.63–0.88 cu. yd. (0.5–0.7 m ³) | 0.50–0.75 cu. yd. (0.4–0.6 m ³) | 1.38–1.75 cu. yd. (1.1–1.3 m ³) | 1.25–1.50 cu. yd. (1.0–1.2 m ³) |
| Sand, moist – 2,850 lb./cu. yd. (1690 kg/m ³) | 0.75 cu. yd. (0.6 m ³) | 0.63 cu. yd. (0.5 m ³) | 1.50 cu. yd. (1.2 m ³) | 1.38 cu. yd. (1.1 m ³) |
| Sand and gravel, dry – 2,900 lb./cu. yd. (1720 kg/m ³) | 0.75 cu. yd. (0.6 m ³) | 0.63 cu. yd. (0.5 m ³) | 1.50 cu. yd. (1.2 m ³) | 1.38 cu. yd. (1.1 m ³) |
| Sand, wet – 3,100 lb./cu. yd. (1840 kg/m ³) | 0.63 cu. yd. (0.5 m ³) | 0.50 cu. yd. (0.4 m ³) | 1.38 cu. yd. (1.1 m ³) | 1.25 cu. yd. (1.0 m ³) |
| Sand and gravel, wet – 3,400 lb./cu. yd. (2020 kg/m ³) | 0.63 cu. yd. (0.5 m ³) | 0.50 cu. yd. (0.4 m ³) | 1.38 cu. yd. (1.1 m ³) | 1.25 cu. yd. (1.0 m ³) |

*Contact your John Deere dealer for optimum bucket and attachment selections. These recommendations are for general conditions and average use. Larger buckets may be possible when using light buckets; and for flat and level operations, less compacted materials, and volume loading applications such as mass excavation in ideal conditions. Smaller buckets are recommended for adverse conditions such as off-level applications and uneven surfaces. Bucket capacity indicated is SAE heaped.

135C_{RTS} / 225C_{LCRTS} Excavators

Key: ● Standard equipment ▲ Optional or special equipment

*See your John Deere dealer for further information.

135C 225C_{LC} Engine

- ● Auto-idle system
- ● Batteries (two 12 volt), 180-min. (1,250 CCA) reserve capacity
- ● Charge air cooler
- ● Dual element dry-type air filter
- ● Enclosed fan guard (conforms to SAE J1308)
- ● Engine coolant to -34°F (-37°C)
- ● Fuel filter with water separator
- ● Full-flow oil filter
- ● Radiator trash screen
- ● Meets EPA Tier II non-road emissions regulations
- ● Turbocharger
- ● Underhood muffler with vertical curved end exhaust stack

Hydraulic System

- ● Auxiliary valve section
- ● Hydraulic pilot controls
- ● Reduced-drift valve for boom down, arm in
- ● Spring-applied, hydraulically released automatic swing brake
- ▲ ▲ Auxiliary hydraulic and electric pilot controls
- ▲ ▲ Hydraulic filter restriction indicator kit
- ▲ ▲ Load-lowering control device
- ▲ ▲ Single pedal propel control

Undercarriage

- ● Planetary final drive with axial piston motors
- ● Propel motor shields
- ● Track guides, front idler
- ▲ ▲ Rubber crawler pad, 20 in. (500 mm)
- ▲ ▲ Rubber crawler pad, 24 in. (600 mm)
- ▲ ▲ Triple semi-grouser shoes, 24 in. (600 mm)
- ▲ ▲ Triple semi-grouser shoes, 28 in. (700 mm)
- ▲ ▲ Triple semi-grouser shoes, 32 in. (800 mm)
- ● Two-speed propel with automatic shift
- ● Upper carrier roller (1)
- ● Upper carrier rollers (2)
- ▲ ▲ Undercarriage with blade

135C 225C_{LC} Upperstructure

- ● Counterweight, 8,047 lb. (3650 kg)
- ● Counterweight, 16,755 lb. (7600 kg)
- ● Right- and left-hand mirrors
- ● Toolbox
- ● Vandal locks with ignition key: Cab door / Engine hood / Fuel cap / Service doors / Toolbox

Front Attachments

- ● Bucket-to-arm clearance adjustable bushing (except ditching buckets)
- ● Centralized lubrication system
- ● Dirt seals on all bucket pins
- ● No-boom-arm
- ▲ ▲ Arm, 7 ft. 3 in. (2.22 m)
- ▲ ▲ Arm, 8 ft. 3 in. (2.52 m)
- ▲ ▲ Arm, 9 ft. 7 in. (2.91 m)
- ▲ ▲ Arm, 9 ft. 11 in. (3.01 m)
- ▲ ▲ Attachment quick couplers
- ▲ ▲ Auxiliary hydraulic lines with shutoff valve
- ▲ ▲ Boom cylinder with plumbing to mainframe
- ▲ ▲ Buckets: Ditching / General purpose / General-purpose high capacity / Heavy duty / Heavy-duty high capacity / Severe-duty cast lip / Severe-duty plate lip / Side cutters and teeth
- ▲ ▲ Heavy-duty grapple
- ▲ ▲ Hydraulic bucket material clamps
- ▲ ▲ Hydraulic coupler

Operator's Station

- ● Adjustable seat with independent control positions (seat-to-pedals)
- ● AM/FM stereo
- ● Auto climate control/air conditioner, 20,000 Btu/hr. (5.9 kW), heater and pressurizer
- ● Cell-phone power outlet, 12 volt, 60 watt, 5 amp
- ● Coat hook
- ● Deluxe suspension cloth seat with 4-in. (100 mm) adjustable armrests and lumbar support
- ● Front windshield wiper with intermittent speed
- ● Gauges (illuminated): Engine coolant / Fuel
- ● Horn, electric on left control lever

135C 225C_{LC} Operator's Station (continued)

- ● Hot/cool-box compartment
- ● Hourmeter, electric
- ● Hydraulic shutoff lever, all controls
- ● Interior light
- ● Large cup holder
- ● Machine Information Center (MIC)
- ● Mode selectors (illuminated): Power modes – three / Travel modes – two with automatic shift / Work modes – two
- ● Monitor system with alarm features: Auto-idle/auto-acceleration indicator light / Engine air cleaner restriction indicator light / Engine coolant temperature indicator light with audible alarm / Engine oil pressure indicator light with audible alarm / Fluid level: Engine coolant level indicator light, engine oil level indicator light, and hydraulic oil level indicator light / Low alternator charge indicator light / Low fuel indicator light / Wiper-mode indicator / Work-lights-on indicator / Work-mode indicator
- ● Motion alarm with cancel switch (conforms to SAE J994)
- ● Propel pedals and levers
- ● Seat belt, 2 in. (51 mm), retractable
- ▲ ▲ Seat belt, 3 in. (76 mm), non-retractable
- ● Tinted glass
- ● Transparent tinted overhead hatch
- ▲ ▲ Alternate pilot control pattern
- ▲ ▲ Circulation fan
- ▲ ▲ Protection screens for cab front, rear, and side
- ▲ ▲ Window vandal protection covers
- ▲ ▲ 24- to 12-volt D.C. radio converters, 10 amp

Electrical

- ● 50-amp alternator
- ● Blade-type multi-fused circuits
- ● By-pass start safety cover on starter
- ● Positive terminal battery covers

Lights

- ● Halogen work lights: One mounted on boom / One mounted on frame

Control Owning and Operating Costs

Customer Personal Service (CPS) is part of John Deere's proactive, fix-before-fail strategy on machine maintenance that will help control costs, increase profits, and reduce stress. Included in this comprehensive lineup of ongoing programs and services are:

Fluid analysis program – tells you what's going on inside *all* of your machine's major components so you'll know if there's a problem *before* you see a decline in performance. Fluid analysis is included in most extended coverage and preventive-maintenance agreements.

Component life-cycle data – gives you vital information on the projected life span of components and lets you make informed decisions on machine maintenance by telling you approximately how many hours of use you can expect from an engine, transmission, or hydraulic pump. This information can be used to preempt catastrophic downtime by servicing major components at about 80 percent of their life cycle.

Preventive Maintenance (PM) agreements – give you a fixed cost for maintaining a machine for a given period of time. They also help you avoid downtime by ensuring that critical maintenance work gets done right and on schedule. On-site preventive maintenance service performed where and when you need it helps protect you from the expense of catastrophic failures and lets you avoid waste-disposal hassles.

Extended coverage – gives you a fixed cost for machine repairs for a given period of time so you can effectively manage costs. Whether you work in a severe-service setting or just want to spread the risk of doing business, this is a great way to custom-fit coverage for your operation. And an extended coverage contract also travels well because it's backed by John Deere and is honored by *all* Deere construction dealers.

Customer Support Advisors (CSAs) – Deere believes the CSA program lends a *personal* quality to Customer Personal Service (CPS). Certified CSAs have the knowledge and skills for helping make important decisions on machine maintenance and repair. Their mission is to help you implement a plan that's right for *your* business and take the burden of machine maintenance off your shoulders.



JOHN DEERE

Net engine power is with standard equipment including air cleaner, exhaust system, alternator, and cooling fan, at standard conditions per SAE J1349 and DIN 6270B, using No. 2-D fuel at 35 API gravity. No derating is required up to 10,000-ft. (3050 m) altitude. Gross power is without cooling fan.

Specifications and design subject to change without notice. Wherever applicable, specifications are in accordance with SAE standards. Except where otherwise noted, these specifications are based on units with full fuel tanks and 175-lb. (79 kg) operators; 135C unit with 36-in. (915 mm) bucket, 28-in. (700 mm) triple semi-grouser shoes, and 8,047-lb. (3650 kg) counterweight; and 225C LC unit with 42-in. (1067 mm) bucket, 32-in. (800 mm) triple semi-grouser shoes, and 16,755-lb. (7600 kg) counterweight.

