



JD14 LOADER

FEATURES

- 25 brake horsepower 2-cylinder Onan gasoline engine
- Turns within its own length
- Hydrostatic 4-wheel drive
- Instant reversing
- T-bar control of steering, speed and reversing
- Disk parking brakes
- Choice of three Quick-Switch buckets and one pallet fork
- Roll-over protective structure (ROPS)

LOADER SPECIFICATIONS

Buckets	Struck Capacity		Width	
	cu. ft.	m ³	in.	meters
Utility	6	0.170	47	1.19
Light Materials	10	0.283	53	1.35
Light Materials	12	0.340	53	1.35

Pallet Fork:

36 in. (914 mm) tines 45 1.14

Operating Information:

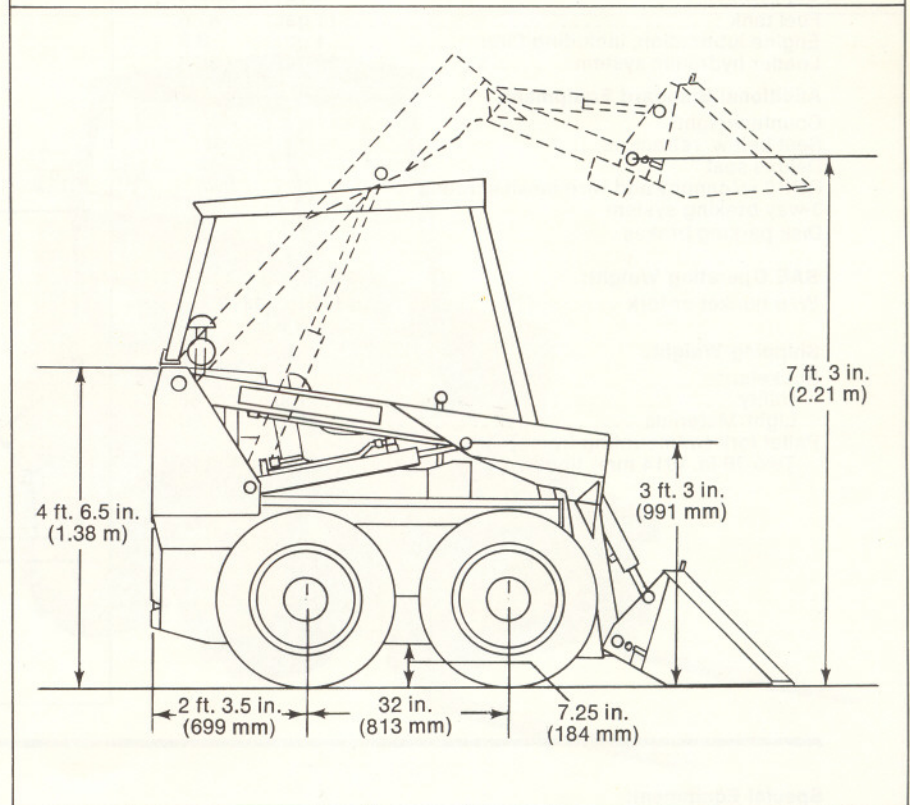
Lift capacity, full height . . . 800 lb. (363 kg)
 Hydraulic lift capacity . . . 1900 lb. (862 kg)
 Breakout force . . 1500 lb. (6.72 kN) (680 kg)
 SAE tipping load 1700 lb. (771 kg)
 Rear clearance circle radius,
 less bucket 3 ft. 9.13 in. (1.15 m)
 Overall length, less bucket . . . 6 ft. (1.83 m)
 Overall width, less bucket . . 3 ft. 10 in. (1.17 m)
 Wheel tread 37 in. (940 mm)

Hydraulic System:

Pressure . . 1500 psi (103.4 bar) (105.5 kg/cm²)
 Control . . Dual-pedal, double hydraulic system
 Pump Gear, 8 gpm (30.3 l/min) @ 3200 engine rpm
 Oil lines Welded JIC steel tubing; single-wire-braid hose
 Filter 33-micron paper cartridge in suction line

Hydraulic Cylinders:

	Bore	Stroke
Boom (2)	2 in. (51 mm)	22 in. (559 mm)
Bucket (2)	2 in. (51 mm)	22 in. (559 mm)
Cylinder rods	Ground, heat-treated, chrome-plated, polished	
Boom cylinder rods	1 in. (25.4 mm) dia.	
Bucket cylinder rods	1 in. (25.4 mm) dia.	



JD14 LOADER SPECIFICATIONS

(Specifications and design subject to change without notice. Wherever applicable, specifications are in accordance with ICED and SAE Standards. Except where otherwise noted, these specifications are for a unit equipped with 6 cu. ft. (0.17m³) utility bucket and standard equipment.)

Power (@ 3600 engine rpm):

Brake (SAE)25 hp (18.6 kW*)

Brake power is for an engine equipped with fan, air cleaner and muffler; and is maximum under SAE standard conditions at sea level and 60° F.

*In the International System of Units (SI), power is expressed in kilowatts (kW).

Engine: Onan NHC, 2-cylinder, 4-stroke cycle, gasoline

Bore and stroke3.56x3 in. (90x76 mm)
 Piston displacement60 cu. in. (983 cm³)
 Compression ratio7 to 1
 Maximum torque @ 2200 rpm41 lb-ft (55 Nm) (5.7 kg-m)
 NACC or AMA (U.S. Tax) horsepower10.15
 LubricationPressure system w/full-flow filter
 Cooling fanSuction
 Air cleaner w/restriction indicatorDry
 Electrical system12-volt w/alternator

Drive System:

Two hydrostatic pumps with variable angle cam plates and two hydrostatic motors with fixed angle cam plates.

Final Drives:

Axle2.56-in. (65 mm) dia., one-piece forged steel.
 ChainsPrimary drive, No. 50; final drive, No. 60 (standard).

Travel Speeds:

	mph	km/h
Forward or reverse	0-5	0-8

SteeringT-bar control

Tires8.50-27-15, 4-ply-rating

Capacities:

	U.S	Liters
Fuel tank	11 gal.	41.6
Engine lubrication, including filter	4 qt.	3.8
Loader hydraulic system	15 gal.	56.8

Additional Standard Equipment:

Counterweight
 Seat belt w/retractors
 Deluxe seat
 ROPS w/canopy and wire mesh screens
 3-way braking system
 Disk parking brakes

SAE Operating Weight:

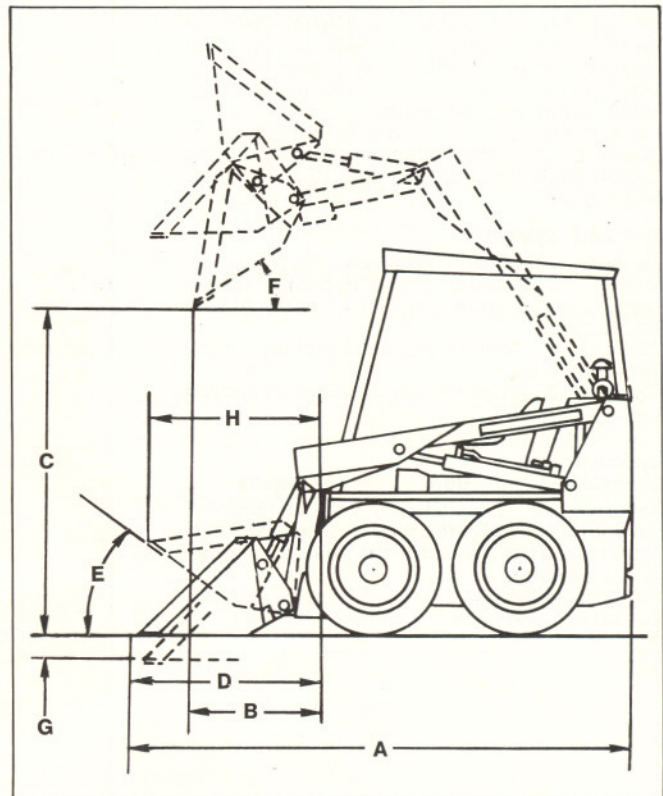
W/o bucket or fork2587 lb. (1173 kg)

Shipping Weight:

	lb.	kg
Buckets:		
Utility	150	68
Light Materials	195	89
Pallet fork (w/mounting frame):		
Two 36 in. (914 mm) tines	250	113

	Buckets	
	Utility	Light Materials
A	8 ft. 2.5 in. (2.50 m)	8 ft. 6.5 in. (2.60 m)
B	1 ft. 2.5 in. (368 mm)	1 ft. 6.5 in. (470 mm)
C	5 ft. 2.5 in. (1.59 m)	5 ft. (1.52 m)
D	3 ft. (0.91 m)	3 ft. 4 in. (1.02 m)
E	33 deg.	33 deg.
F	41 deg.	41 deg.
G	0.5 in. (12.7 mm)	0.5 in. (12.7 mm)
H	2 ft. 11 in. (889 mm)	3 ft. 3 in. (991 mm)

- A. Overall length with bucket
- B. Reach at max. height, bucket at full dump
- C. Clearance, bucket at full dump
- D. Reach, bucket on ground
- E. Bucket rollback
- F. Max. dumping angle
- G. Digging depth below ground level
- H. Reach, bucket rolled back



Special Equipment:

Lights
 Boom lock assembly
 Additional counterweight