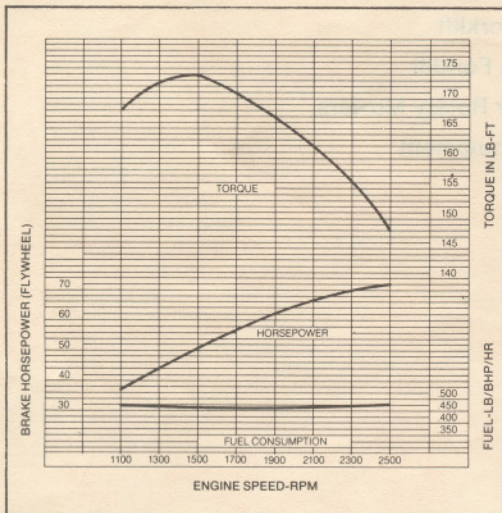




# JD440-B SKIDDER



## ENGINE PERFORMANCE



\*SAE Standard

## FEATURES

- 70 SAE net hp (74,4 PS)
- Articulated frame power steering
- Oscillating front axle
- 8-speed transmission, Power Shift or Syncro-Range
- Front-axle differential lock
- Wet-disk power brakes
- Hydraulically actuated winch
- Spark-arresting muffler
- Adjustable arch

## ADD VERSATILITY WITH:

- Skidding grapple shear  
(Allied equipment)

## JD440-B SKIDDER SPECIFICATIONS

(Specifications and design subject to change without notice. Wherever applicable, specifications are in accordance with IEMC and SAE Standards. Except where otherwise noted, these specifications are based on a unit equipped with Syncro-Range transmission, 18.4-26, 10-ply logging tires and standard equipment.)



<b>Horsepower (at 2,500 engine rpm):</b>	<b>SAE</b>	<b>DIN</b>
Gross .....	75.5	
Net .....	70	74,4 PS

\*Net engine flywheel horsepower is for an engine equipped with fan, air cleaner, water pump, lubricating oil pump, fuel pump, alternator, and muffler. Gross engine horsepower is without fan. Gross and net flywheel horsepower ratings are under SAE standard conditions of 500-ft. altitude and 85° F. temperature and DIN 70 020 standard conditions of 760 mm Hg barometer (sea level) and 20° C. temperature.

### Engine: John Deere, 4-cylinder, diesel, 4-stroke cycle

Bore and stroke .....	4.02x4.33 in. (102x110 mm)
Piston displacement .....	219 cu. in. (3588 cm <sup>3</sup> )
Compression ratio .....	16.7 to 1
Maximum torque @ 1,500 rpm .....	173 lb-ft (23,8 kg-m)
NACC or AMA (U.S. Tax) horsepower .....	23.84
Lubrication .....	Pressure system w/full-flow filter
Cooling .....	Pressurized w/thermostat and fixed bypass
Fan .....	Blower
Air cleaner w/restriction indicator .....	Dry
Electrical system .....	12-volt w/alternator
Batteries (2) .....	Reserve capacity: 220 minutes

### Differentials:

Front .....	Full differential w/hydraulic lock
Rear .....	Solid axle w/no differential action

### Drive Axles:

Four-wheel drive with inboard planetary gears on all axles. Front axle oscillates 15 degrees above and below horizontal. 18 in. (457 mm) total travel at tire center line.

### Power Steering:

Articulated frame hydraulically actuated by dual cylinders.	
Turning radius .....	16 ft. 8 in. (5,08 m)
Turning clearance .....	35 ft. 6 in. (10,82 m)

### Hydraulic System:

Closed-center, constant-pressure. Variable-displacement pump driven from crankshaft .... 28 gpm (106 lpm), 2,000 psi (140,6 kg/cm<sup>2</sup>) @ 2,500 engine rpm.

### Tires:

18.4-26, 10-ply-rating, logging  
16.9-30, 8-ply-rating, logging

### Capacities:

	<b>U.S.</b>	<b>Liters</b>
Fuel tank .....	24 gal.	90,8
Cooling system .....	4 gal.	15,1
Engine lubrication, including filter .....	9 qt.	8,5
Transmission case (includes hydraulic system):		
Syncro-Range .....	8 gal.	30,3
Power Shift .....	9 gal.	34,1
Front differential .....	9 gal.	34,1
Rear axle case .....	18 qt.	17,0

### Additional Standard Equipment:

Flanged axles	Fire extinguisher
Muffler	Adjustable log arch
Fuel gauge	Foot throttle
Oil pressure warning light	Hand throttle
Alternator charge warning light	Front blade
Water temperature gauge	Ether starting aid
Front axle differential lock	Engine side shields
Electric hourmeter	Deluxe seat w/suspension
Key switch safety start	Roll-over protective structure (ROPS) w/canopy, seat belt, and brush screens
Regular log bumper	Transistorized voltage regulator
Cigaret lighter	Vandal protection
Horn	
Lights	
John Deere winch	

### Winch:

Live mechanical drive; hydraulically-actuated clutch and brake. Single-lever control.

### Cable capacities\*:

1/2-in. (12,7 mm) cable .....	195 ft. (59,44 m)
5/8-in. (15,8 mm) cable .....	125 ft. (38,10 m)
3/4-in. (19,1 mm) cable .....	100 ft. (30,48 m)

\*Calculated: No allowance made for loose or uneven spooling.

### Line pull (2,200 rpm):

Bare drum .....	17,300 lb. (7847 kg)
Full drum .....	10,800 lb. (4899 kg)

### Line speed (2,200 rpm):

Bare drum .....	100 fpm (30,5 m/min.)
Full drum .....	159 fpm (48,5 m/min.)

### Blade: Hydraulic control

Width .....	6 ft. (1,83 m)
Height .....	1 ft. 8 in. (508 mm)
Max. lift above ground level .....	4 ft. 4 in. (1,32 m)
Max. drop below ground level .....	12 in. (305 mm)

### Arch:

Horizontal roller .....	6 in. dia. (152 mm)
Vertical rollers (through-hardened steel) ..	4.5 in. dia. (114 mm)
Working height (top of horizontal roller to ground):	
Fixed arch (special equipment) .....	5 ft. 10 in. (1,78 m)
Adjustable arch:	
Settings: Bottom—5 ft. 7 in. (1,70 m); center—6 ft. 1 in. (1,85 m); top—6 ft. 7 in. (2,01 m)	

## SYNCRO-RANGE

Constant mesh with 8 speeds forward, 4 reverse. Four forward speed ranges with synchronized shifting between low and high within each range. Incorporates transmission lock for parking. Clutch is 12 in. (305 mm), dry, feramic-faced, foot-pedal-operated.

### Travel Speeds (2,500 engine rpm, no tire slip)

Forward: 2 mph (3,2 km/h) to 17.5 mph (28,1 km/h)  
Reverse: 2 mph (3,2 km/h) to 8.5 mph (13,7 km/h)

Hydraulic power actuated, wet-disk on output shaft. Hand-operated mechanical brake for parking and winching.

## Transmission

Planetary gears. Hydraulically actuated wet-disk clutches and brakes. 8 forward, 4 reverse speeds selected by a single lever. Cold weather disconnect clutch is 12 in. (305 mm), dry, hand-operated.

## Brakes

Hydraulic power actuated, dual-controlled disks on 4 wheels. Hand-operated mechanical brake for parking and winching.

## SAE Operating Weight

12,250 lb. (5784 kg)

14,200 lb. (6441 kg)

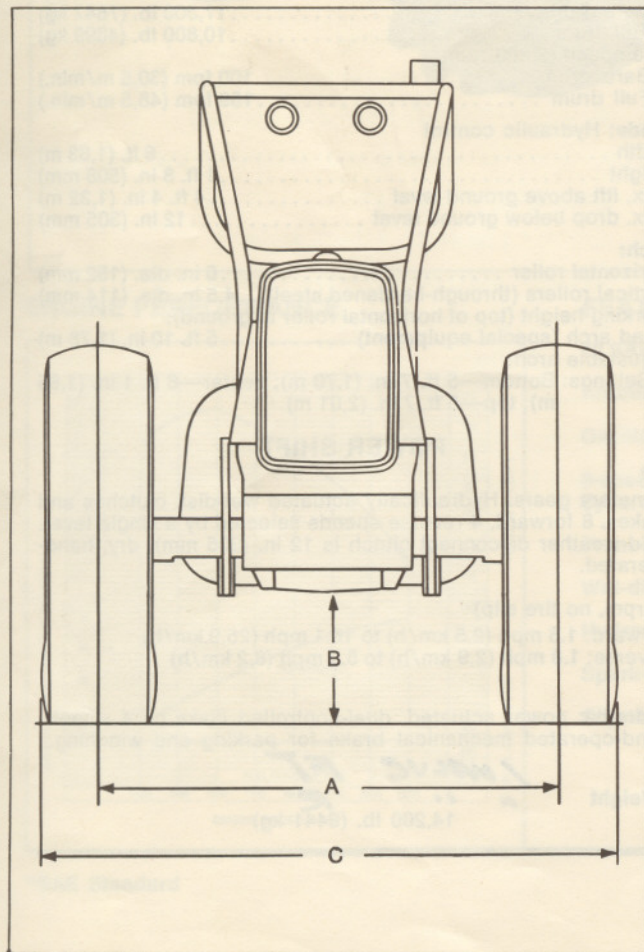
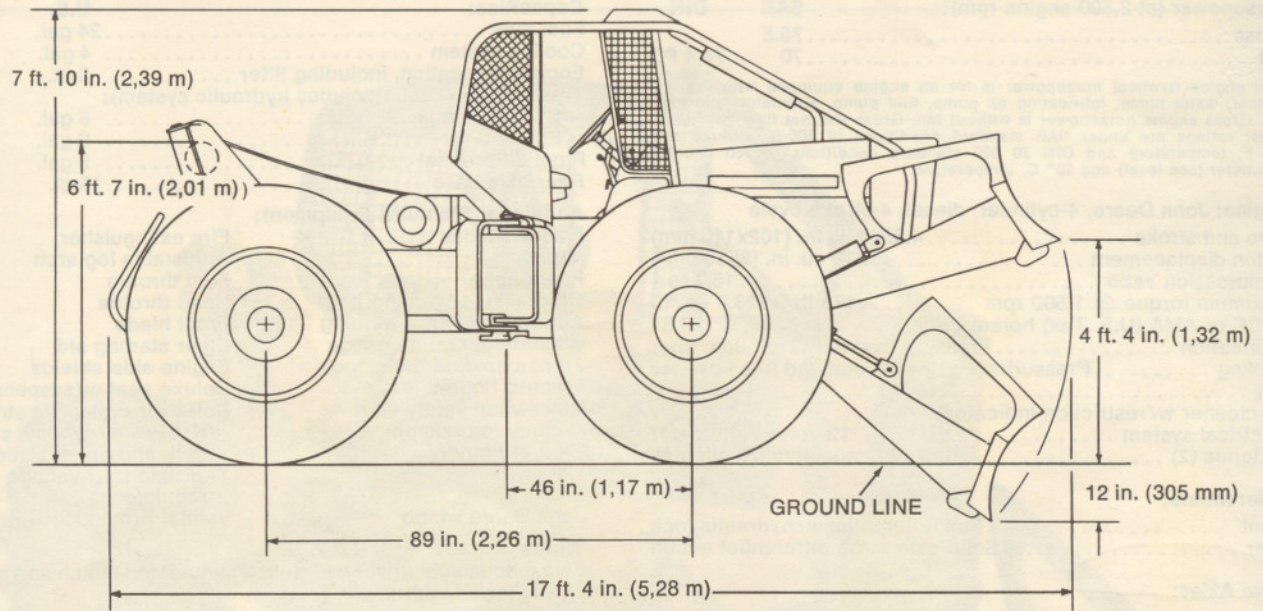
### Special Equipment:

Wheel weights	Fixed log arch
Spark-arresting muffler	Wide log bumper
Suction fan	Altitude compensator

1 VALVE FT  
" " R

**JD440-B SKIDDER DIMENSIONS:**

Sideview dimensions are for Skidder equipped with 18.4-26 tires, adjustable arch, and regular bumper in upper position.



TIRE SIZE	A WHEEL TREAD		B GROUND CLEARANCE		C OVERALL WIDTH	
	SYNCHRO RANGE	POWER SHIFT	SYNCHRO RANGE	POWER SHIFT	SYNCHRO RANGE	POWER SHIFT
16.9-30	74 in. (1,88 m)	76 in. (1,93 m)	1 ft. 6.6 in. (472 mm)	1 ft. 6.6 in. (472 mm)	7 ft. 7 in. (2,31 m)	7 ft. 9 in. (2,36 m)
18.4-26	73.5 in. (1,87 m)	75.5 in. (1,92 m)	1 ft. 6 in. (457 mm)	1 ft. 6 in. (457 mm)	7 ft. 8.4 in. (2,35 m)	7 ft. 10.4 in. (2,40 m)