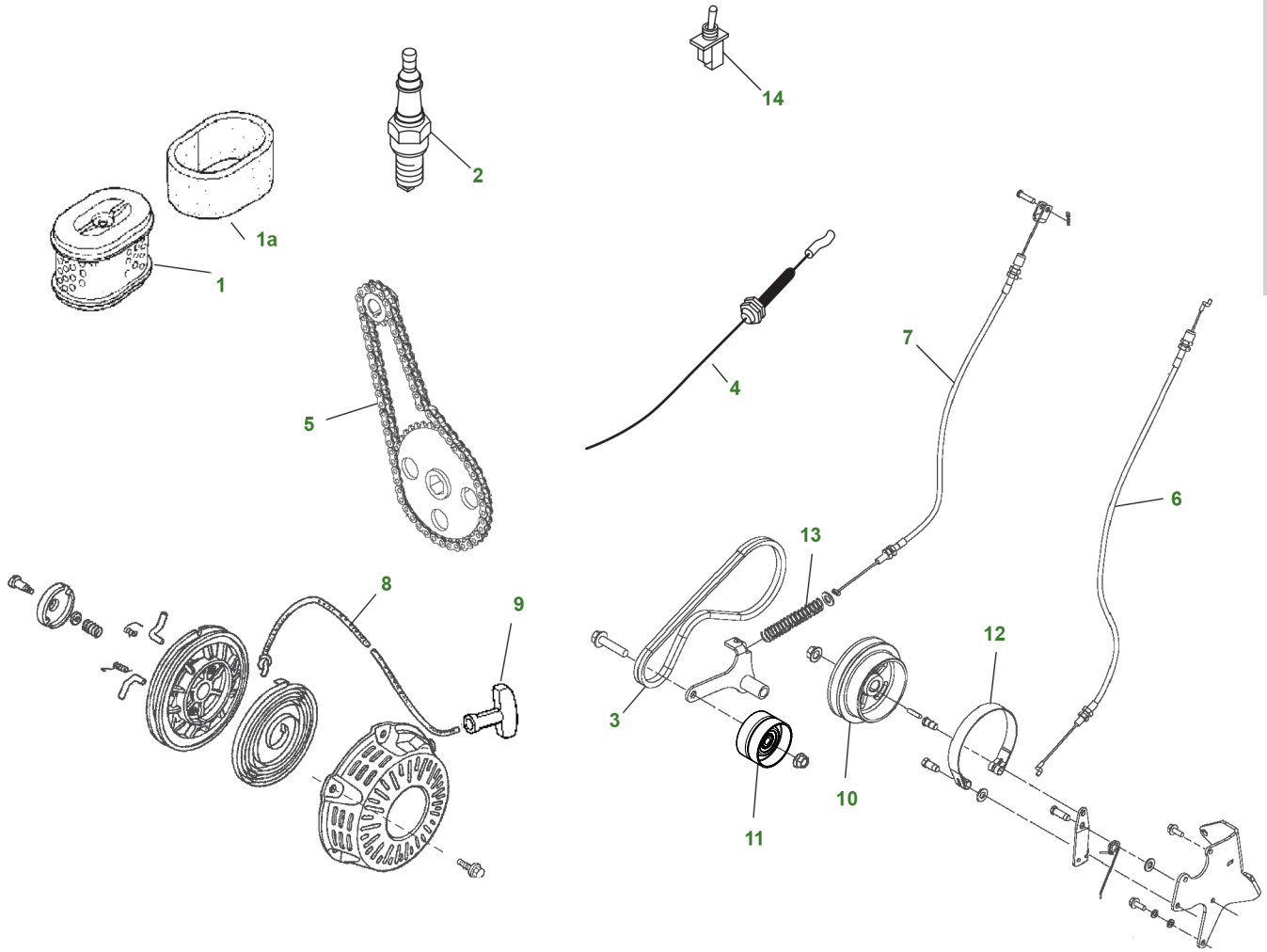


# 180 E-Cut™ Greens Mowers



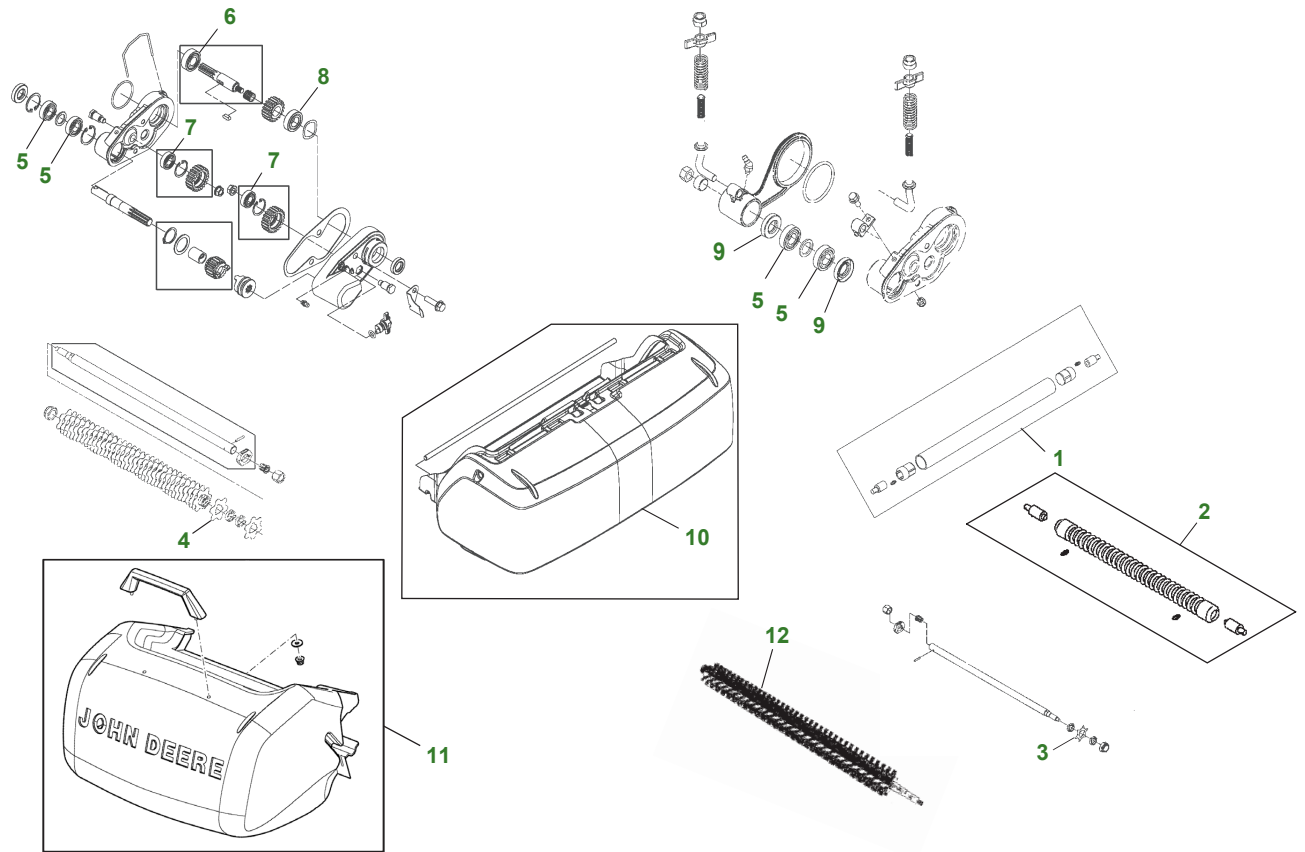
Key	Part No.	Description	Key	Part No.	Description
1	AM123909	AIR FILTER - SECONDARY	8	M128286	ROPE
1a	MIU11464	AIR FILTER - PRIMARY	9	MIU13872	HANDLE
2	M128206	SPARK PLUG	10	TCU24801	PULLEY
3	TCU25209	BELT - DRIVE	11	AMT758	BELT IDLER
4	AMT1680	PUSH PULL CABLE - THROTTLE	12	AMT820	BRAKE BAND
5	TCA16595	CHAIN DRIVE	13	MT1200	COMPRESSION SPRING
6	TCA18547	BRAKE CABLE	14	AT106154	TOGGLE SWITCH
7	TCA18548	CLUTCH CABLE			

### Parts Needed in First 250 hours of Operation

Qty	Part No.	Item	Capacity	Interval In Hours
6	TY22029	TURF-GARD™ 10W-30 Engine Oil	0.6 L (0.63 qt)	20/50/100/150/200/250
1	TY6354	Hy-Gard™ Trans Oil	0.14 L (0.3 qt)	50
1	TY6341	Multi Purpose SD Polyurea Grease		As Needed
3	TY25083	John Deere Special Purpose Golf & Turf Cutting Unit Grease (Cutting Unit and Cutting Unit Attachments)		As Needed

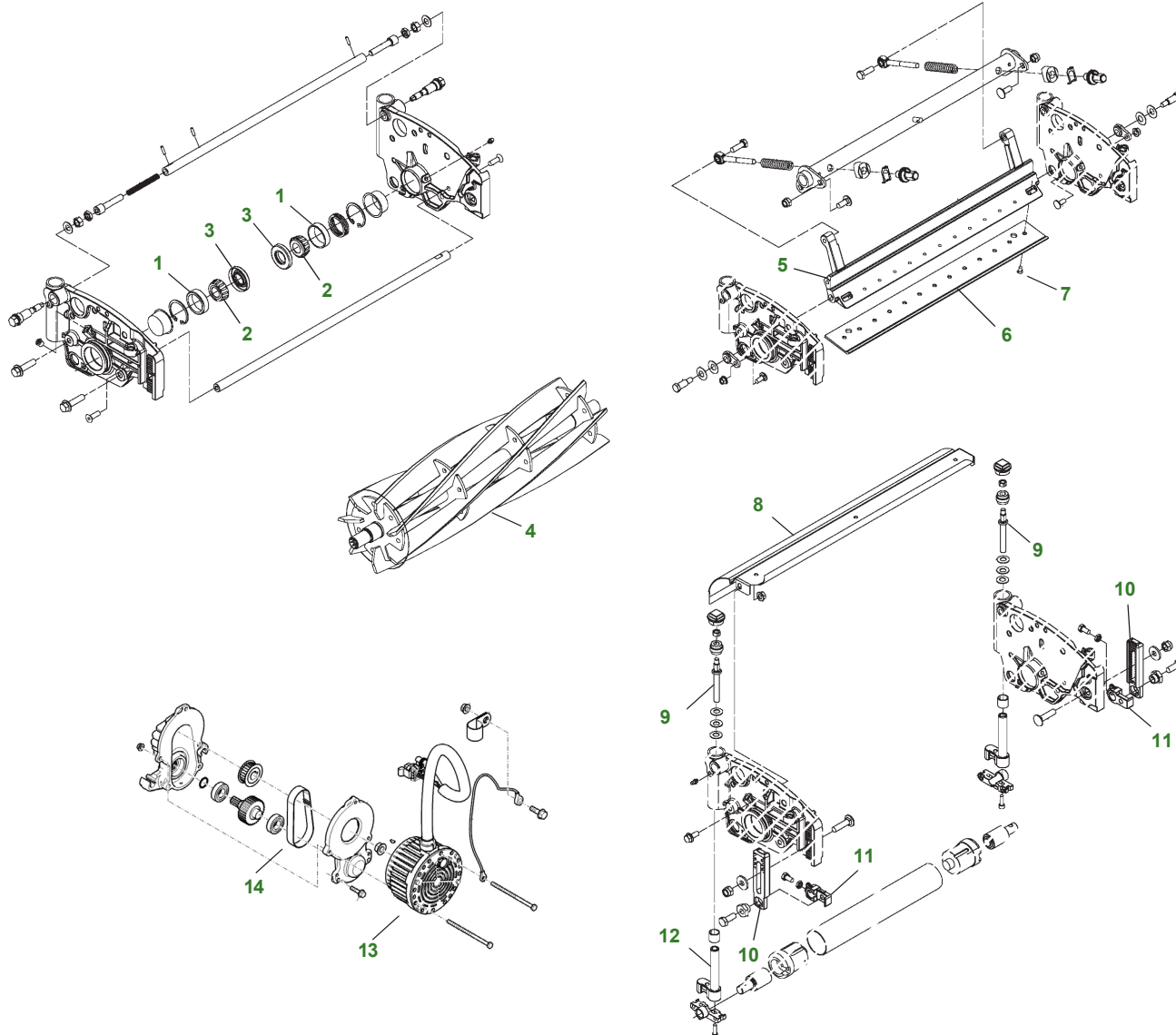
\*Refer to Operators Manual for service intervals if using Bio Hy-Gard.

# 180 E-Cut™ FTC and GTC



Key	Part No.	Description	Key	Part No.	Description
<b>ROLLER</b>					
1	TCA19656	ROLLER - SMOOTH - HOLLOW	6	M802355	BALL BEARING
	AMT2981	ROLLER - SMOOTH - SOLID	7	ET16027	BALL BEARING
2	AMT2979	MACHINED GROOVED SOLID WITH SOLID END CAPS	8	JD8653	BALL BEARING
3	ET14707	KNIFE - GREENS TENDER CONDITIONER	9	MT6828	SEAL
4	MT2624	KNIFE - FAIRWAY TENDER CONDITIONER	10	BTC10716	GRASS CATCHER - LOW PROFILE
5	TCU24834	BALL BEARING	11	BTC10629	GRASS CATCHER - DIRECT - MOUNT
			12	BM24732	DT ROTARY TURF BRUSH

# 180 E-Cut™ Cutting Unit



Key	Part No.	Description	Key	Part No.	Description
1	JD8226	BEARING CUP	7	21M7194	SCREW
2	JD8188	BEARING CONE	8	TCA18643	REEL SHIELD
3	ET14566	SEAL	9	TCU24328	ADJUSTER
4	TCA19348	REEL - 7-BLADE	10	UC16108	BRACKET
	TCA19349	REEL - 11-BLADE	11	UC18211	BRACKET RH ( IF USING FTC / GTC ) BRACKET LH ( IF NO FTC / GTC )
	TCA23622	REEL - 14-BLADE		UC16109	BRACKET LH (IF USING FTC / GTC ) BRACKET RH (IF NO FTC / GTC )
5	TCU35967	SHOE	12	AUC13512	ADJUSTER
6	MT4846	BEDKNIFE - TOURNAMENT	13	AUC10827	MOTOR
	UC19156	BEDKNIFE - LOW-CUT	14	TCU33535	SYNCHRONOUS BELT
	UC18867	BEDKNIFE - FAIRWAY			
	TCU31422	BEDKNIFE - FAIRWAY HI-CUT			
	TCU36878	BEDKNIFE - HARDENED LESS AGGRESSIVE LOW-CUT			