

8500 PrecisionCut™ 8500 E-Cut™ Hybrid Lightweight Fairway Mower



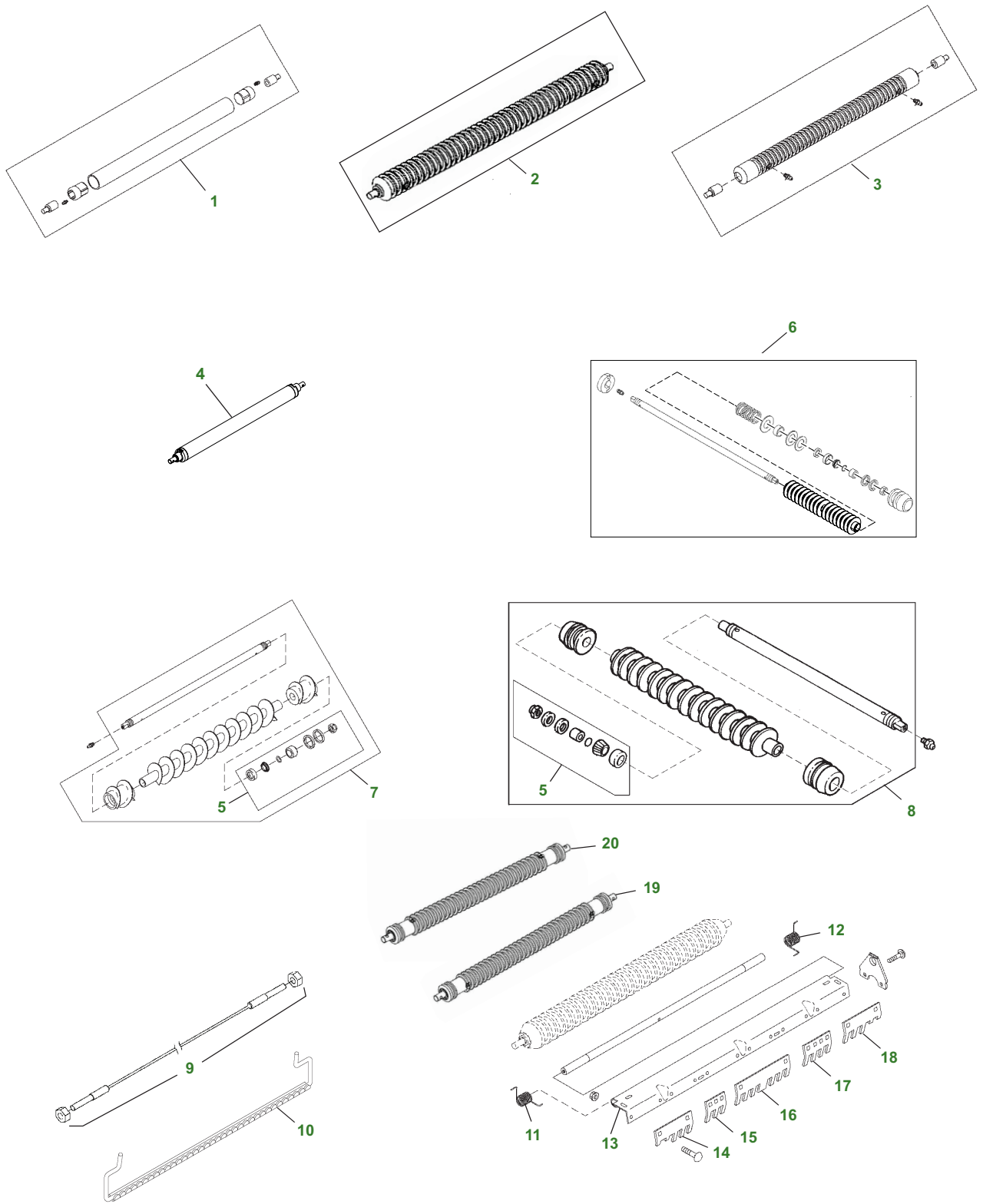
Key	Part No.	Description	Key	Part No.	Description
1	M806419OIL FILTER ELEMENT - ENGINE	8	AUC12681KEY
2	RE69054HYDRAULIC FILTER	9	TCA22740SWITCH
3	RE68048AIR FILTER ELEMENT - PRIMARY	10	AM123508FILLER CAP
4	RE68049AIR FILTER ELEMENT - SECONDARY	11	TCU23131BELT - FAN
5	MIU800645FUEL FILTER	12	M811034THERMOSTAT
6	M811032FUEL SEPARATOR ELEMENT	13	CH15516WATER TEMP SWITCH
7	TY25876BWET CHARGED BATTERY			

Parts Needed in First 500 hours of Operation

Qty	Part No.	Item	Capacity	Interval In Hours
2	M806419	Engine Oil Filter	1	200/400
12	TY26674	Plus-50™ II 15W-40 Engine Oil	5.7 L (6 qt)	200/400
1	RE69054	Hydraulic Filter	1	50
1	MIU800645	Fuel Filter	1	500
1	TY25083	John Deere Special Purpose Golf and Turf Cutting Unit Grease (Cutting Unit and Cutting Unit Attachments)		As Needed
1	TY6341	John Deere Multi-Purpose SD Polyurea Grease (Machine components, lift arms and rollers)		As Needed

*Refer to Operators Manual for service intervals if using BioDiesel Fuel and Bio Hy-Gard.

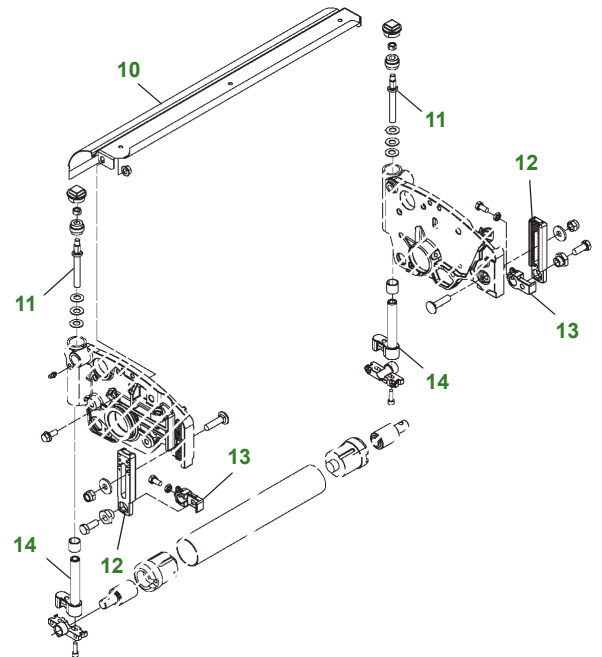
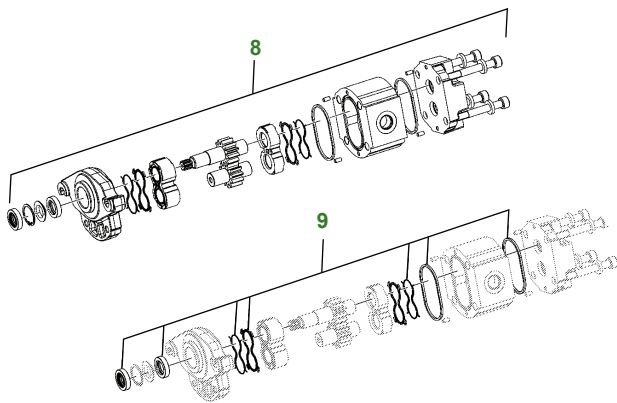
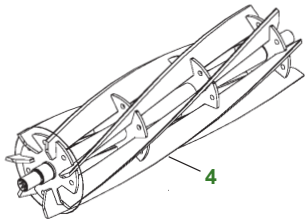
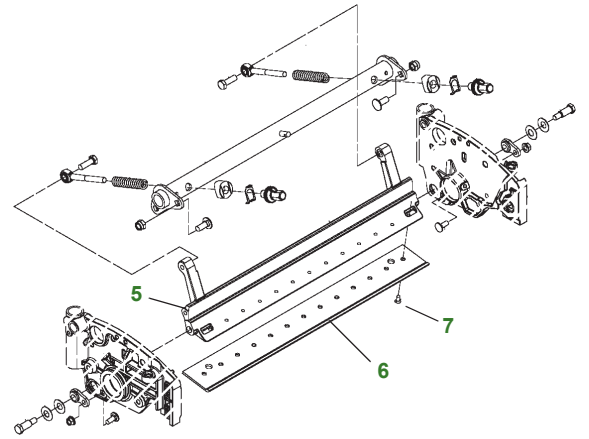
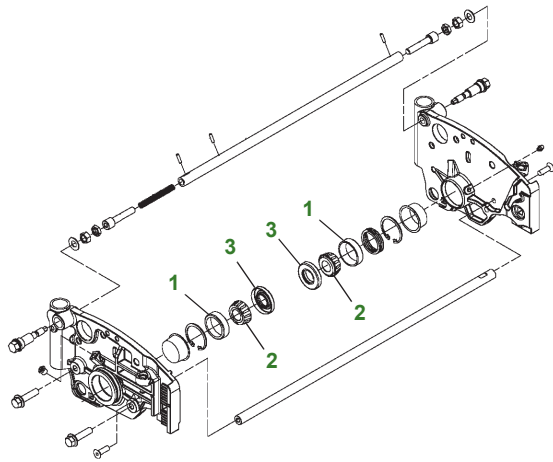
8500 PrecisionCut™ / 8500 E-Cut™ Hybrid Cutting Unit Rollers



8500 PrecisionCut™ / 8500 E-Cut™ Hybrid Cutting Unit Rollers (Continued)

Key	Part No.	Description	Key	Part No.	Description
1	BM18480	ROLLER - SMOOTH TUBE (2 in.)	11	ET17629	TORSION SPRING - LH
	BM18711	ROLLER - SMOOTH SOLID (2 in.)	12	ET17630	TORSION SPRING - RH
2	BM19821	ROLLER - MACHINED SPIRAL (2 in.)	13	MT2369	SCRAPER
	BE23416	ROLLER - GROOVED (22.5 in.)	14	MT5158	SCRAPER - LH END
	BM18481	ROLLER - GROOVED (23.25 in.)	15	MT2342	SCRAPER - 3 TOOTH
3	BM18712	ROLLER - EXTENDED GROOVED (2 in.)	16	MT2340	SCRAPER - CENTER
4	BM24202	ROLLER - HOLLOW SMOOTH (2 in.)	17	MT2341	SCRAPER - 4 TOOTH
		8500 PrecisionCut	18	MT5159	SCRAPER - RH END
5	AET10632	SEAL KIT	19	BM23566	ROLLER - MACHINED SPIRAL (2 in.)
6	BM25317	ROLLER - DISK (3 in.)	20	BTC10267	ROLLER - MACHINED GROOVED (2 in.) - 8500 PrecisionCut
7	BM19817	ROLLER - CONTINUOUS SPIRAL (3 in.)			
8	AMT1286	ROLLER - GROOVED END SPIRAL (3 in.)			
9	BM22995	SCRAPER - SMOOTH ROLLER			
10	TCA19547	SCRAPER - GROOVED (22 X 2 in.)			
		8500 PrecisionCut (S/N 030001-), 8500 E-Cut (S/N 020001-)			

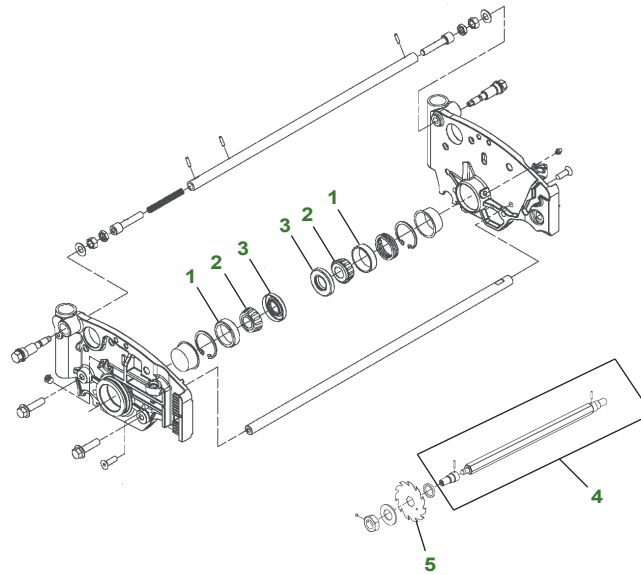
8500 PrecisionCut™ / 8500 E-Cut™ Reel Cutting Unit



8500 PrecisionCut™ / 8500 E- Cut™ Reel Cutting Unit (Continued)

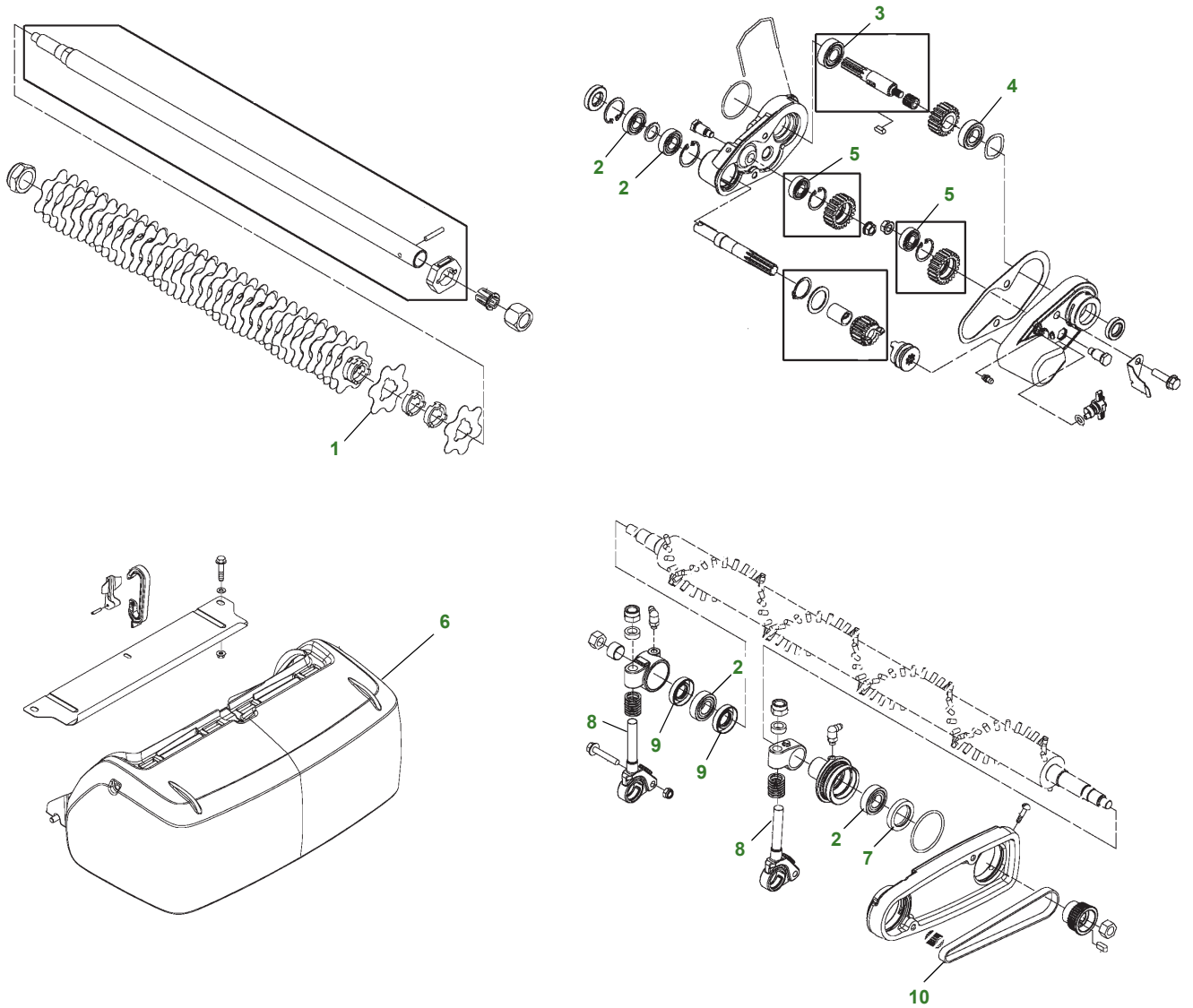
Key	Part No.	Description	Key	Part No.	Description
1	JD8226BEARING CUP	8	TCA22474HYDRAULIC MOTOR - 8500 PrecisionCut
2	JD8188BEARING CONE	9	TCA19114SEAL KIT - 8500 PrecisionCut
3	ET14566SEAL	10	AMT2928SHIELD - 8500 PrecisionCut (S/N -020000) - STANDARD
4	AMT2883REEL - 7-BLADE - 8500 PrecisionCut (S/N -020000)		AMT2495SHIELD - 8500 PrecisionCut (S/N -020000) - OPTIONAL
	AMT2885REEL - 11-BLADE - 8500 PrecisionCut (S/N -020000)		TCA19624SHIELD - 8500 PrecisionCut (S/N 020001-), 8500 E-Cut
	TCA19350REEL - 7-BLADE - 8500 PrecisionCut (S/N 020001-), 8500 E-Cut	11	TCU24328ADJUSTER HEIGHT OF CUT- 8500 PrecisionCut (S/N 020001-), 8500 E-Cut
	TCA19351REEL - 11-BLADE - 8500 PrecisionCut (S/N 020001-), 8500 E-Cut	12	UC16108BRACKET FRONT ROLLER - 8500 PrecisionCut (S/N 020001-), 8500 E-Cut
	TCA23621REEL - 14 -BLADE - 8500 PrecisionCut (S/N 020001-), 8500 E-Cut	13	UC18211BRACKET RH (IF USING FTC / GTC) 8500 PrecisionCut (S/N 020001-), 8500 E-Cut BRACKET LH (IF NO FTC / GTC) 8500 PrecisionCut (S/N 020001-), 8500 E-Cut
5	MT2694SHOE - 8500 PrecisionCut (S/N -020000)		UC16109BRACKET LH (IF USING FTC / GTC) 8500 PrecisionCut (S/N 020001-), 8500 E-Cut BRACKET RH (IF NO FTC / GTC) 8500 PrecisionCut (S/N 020001-), 8500 E-Cut
	TCU35968SHOE - 8500 PrecisionCut (S/N 020001-), 8500 E-Cut	14	AUC13512ADJUSTER HEIGHT OF CUT REAR 8500 PrecisionCut (S/N 020001-), 8500 E-Cut
6	ET11066BEDKNIFE - 3.2 mm STANDARD W/HARDENED INSERT			
	UC18869BEDKNIFE - TOURNAMENT			
	UC28156BEDKNIFE - FAIRWAY LOW-CUT -7-BLADE			
	UC23562BEDKNIFE - FAIRWAY HIGH-CUT			
	UC28163BEDKNIFE - LOW-CUT - 11-BLADE			
	TCU36165BEDKNIFE - HARDENED LESS AGGRESSIVE LOW-CUT - 11-BLADE			
	UC18873BEDKNIFE - STANDARD			
7	21M7194SCREW			

8500 PrecisionCut™ Vertical Cutting Unit



Key	Part No.	Description	Key	Part No.	Description
1	JD8226BEARING CUP	4	TCA19344SHAFT (S/N 020001-)
2	JD8188BEARING CONE		ET17715SHAFT (S/N -020000)
3	ET14566SEAL	5	TCU26776KNIFE (S/N 020001-)
				AMT2703KNIFE (S/N -020000)

8500 PrecisionCut™ (S/N 020001-) / 8500 E-Cut™ FTC, Rear Brush and Grass Catcher



Key	Part No.	Description	Key	Part No.	Description
1	MT2624KNIFE	7	TCU24983SEAL
2	TCU24834BALL BEARING	8	TCU24834BALL BRACKET - USE WITH BM22527
3	M802355BEARING		UC14112BALL BEARING - USE WITH BTC10767
4	JD8653BALL BEARING	9	MT6828SEAL - USE WITH BM22527
5	ET16027BALL BEARING		UC14089SEAL - USE WITH BTC10767
6	BTC10718GRASS CATCHER - LOW PROFILE	10	TCU32422SYNCHRONOUS BELT
	BTC10719GRASS CATCHER - HIGH PROFILE	11	TCU24826BRACKET

Fairway Mowers