

Diagnosing Seed Delivery Issues

Seed Bridging in Tank

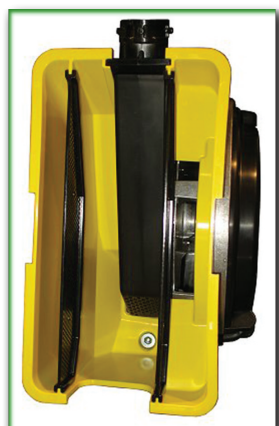
Symptoms:

1. No seed in the mini-hopper.
2. Lots of air at the mini-hopper.

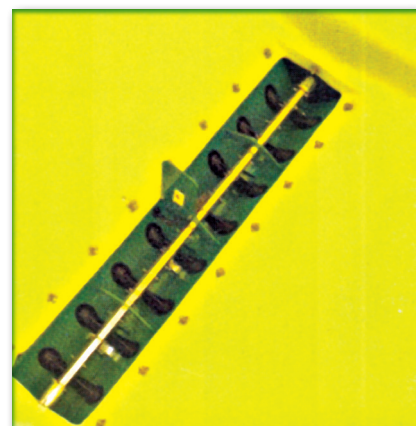
Ways to Resolve:

1. Verify the CCS pressure is set to the recommended setting for the crop being planted (Operators Manual).
2. Verify tank agitator is turning when the CCS fan is on.
3. Verify the nozzle inserts are installed for recommended crops and taken out for non-recommended crops.
4. Verify the agitator pins on the agitator shaft are centered between the tank nozzles.
5. Increase CCS pressure by 1" until seed flows properly from the CCS tanks to each row unit.

Mini-Hopper



Agitator Shaft



Seed Plugging in Hose

Symptoms:

1. No seed in the mini-hopper.
2. Very little airflow at the mini-hopper.
3. Seed is stuck in the CCS delivery hoses between the tanks and the row-unit.
4. Seed is stuck in the elbow of the mini hopper.

Ways to Resolve:

1. Verify CCS tank lids to ensure that all lids are closed tightly.
2. Verify the CCS pressure is set to the recommended setting for the crop being planted (Operators Manual).
3. Verify the nozzle inserts are installed for recommended crops.
4. Unplug the agitator motor to allow for less seed picked up by the nozzles.
5. For small seeds, install tank nozzle inserts.

Small Seed Nozzle Insert



CCS Pressure Gauge

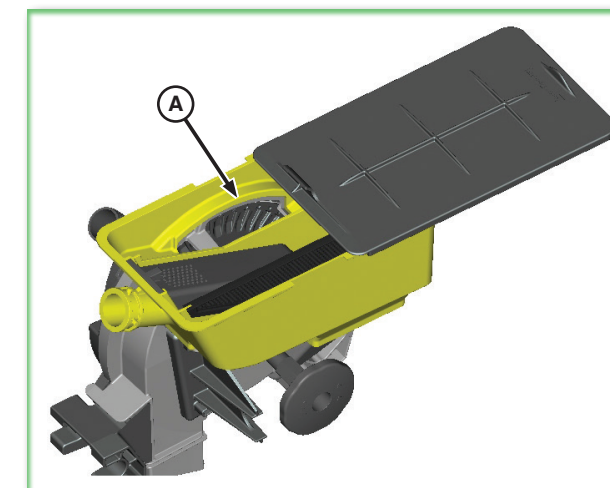


MaxEmerge™ 5 Meter Performance

- Verify the correct seed disk is being used for the seed being planted.

To verify vacuum and seed disk performance:

- Set recommended vacuum level and remove hopper lid.
- Turn meter by hand.
- Verify that only one seed is in each cell (A) on disk.
- Adjust vacuum if necessary to improve singulation.



- For seed varying widely in sizes and shapes, a flat disk and a Doubles Eliminator provide better singulation.
- Ensure all seed disks are clean of any build-up.
- Start with Doubles Eliminator set at 5 and adjust as necessary for extra large or small seed.
- For meters with new seals, apply Graphite Lubricant TY25797 to the outside of the seed disk.

ExactEmerge™ Meter Performance

See Operator's Manual for meter runoff procedure and optimizing meter performance.

RECOMMENDED INITIAL SETTING FOR COMMON CROPS

PRODUCT	DB44 24R22			DB60 24R30, DB60 36R20, DB60 47R15, DB66 36R22			DB80 32R30, DB80 48R20, DB88 48R20, DB90 36R30			DB 120			
	Pressure (Inches H ₂ O)	Small Seed Nozzle Inserts	Small Seed Discharge Elbows	Pressure (Inches H ₂ O)	Small Seed Nozzle Inserts	Small Seed Discharge Elbows	Pressure (Inches H ₂ O)	Small Seed Nozzle Inserts	Small Seed Discharge Elbows	Pressure (Inches H ₂ O) for RH-CCS and Refuge Tanks	Pressure (Inches H ₂ O) for LH-CCS Tank	Nozzle Insert Required	Small Seed Discharge Elbow (Vacuum Only)
Soybeans	12	No	No	14	No	No	16	No	No	15	17	No	No
Small Corn (Over 2000 seeds/lb)	10	No	No	12	No	No	14	No	No	13	15	No	No
Medium Corn (Between 2000 and 1200 seeds/lb)	12	No	No	14	No	No	16	No	No	15	17	No	No
Large Corn (Less than 1200 seeds/lb)	14	No	No	16	No	No	18	No	No	17	19	No	No
Cotton	10	No	No	12	Yes	Optional	12	Yes	Optional	11	13	No	No
Sorghum	8	Yes	Yes	10	Yes	Yes	10	Yes	Yes	9	11	Yes	Yes
Sunflowers	6	No	No	6	No	No	8	No	No	7	9	No	No
Small Popcorn > 4500 seeds/lb	N/A	N/A	N/A	N/A	N/A	N/A	N/A	N/A	N/A	N/A	N/A	N/A	N/A
Large Popcorn < 4500 seeds/lb	N/A	N/A	N/A	N/A	N/A	N/A	N/A	N/A	N/A	N/A	N/A	N/A	N/A
Sweet corn	N/A	N/A	N/A	N/A	N/A	N/A	N/A	N/A	N/A	N/A	N/A	N/A	N/A

PRODUCT	1725CCS, 1725CCS 12X2 Twin Row, 1775NT 12R30, 1775NT 16R30, Deere/Orthman 12R			1775NT 24R30, Deere/Orthman 16R, 18R, and 24R30			1795 and Deere/Orthman 24R20, 24R22		
	Pressure (Inches H ₂ O)	Small Seed Nozzle Inserts	Small Seed Discharge Elbows	Pressure (Inches H ₂ O)	Small Seed Nozzle Inserts	Small Seed Discharge Elbows	Pressure (Inches H ₂ O)	Small Seed Nozzle Inserts	Small Seed Discharge Elbows
Soybeans	12	No	No	14	No	No	12	No	No
Small Corn (Over 2000 seeds/lb)	10	No	No	12	No	No	10	No	No
Medium Corn (Between 2000 and 1200 seeds/lb)	12	No	No	14	No	No	12	No	No
Large Corn (Less than 1200 seeds/lb)	14	No	No	16	No	No	14	No	No
Cotton	10	No	No	12	Yes	Optional	10	No	No
Sorghum	8	Yes	Yes	10	Yes	Yes	8	Yes	Yes
Sunflowers	6	No	No	6	No	No	6	No	No
Small Popcorn > 4500 seeds/lb	10	Yes	Optional	12	Yes	Optional	10	Yes	Optional
Large Popcorn < 4500 seeds/lb	10	No	No	12	No	No	10	No	No
Sweet corn	10	No	No	12	No	No	10	No	No

Set the tank pressure according to machine and crop when hoppers are full and machine is not moving.

This guide does not replace your Operators Manual. Always read the Operators Manual before operating equipment.

Crop Stand = Seed Singulation + Seed Placement + Agronomic Factors

Seed Singulation = Seed Selection + Seed Disk Selection + Vacuum Level + Field Conditions + Maintenance

Seed Placement = Row Unit Maintenance + Speed + Field Conditions + Planter Attachments + Observation & Adjustment

Agronomic Factors = Seed Germination + Soil Temperature + Moisture + Nutrients + Pest Control + Weather