

REPLACEMENT PARTS GUIDE

X390 Lawn and Garden Tractor

ENGINE



OIL FILTER
[AM125424](#)

Change Every 100 hrs.



ENGINE OIL
[TY22029](#) (TURF-GARD™ 10W - 30)
(2.1 L (2.2 qt)) (WITH FILTER)

Change Every 100 hrs / Annually.



SPARK PLUG
[M805853](#)

Change Every 100 hrs / Annually.



AIR FILTER
[MIU12554](#) (PRIMARY)

Change Every 100 hrs.



[MIU12555](#) (SECONDARY)

Change Every 100 hrs / Annually.



FUEL FILTER
[AM116304](#)

Change Every 100 hrs / Annually.



JOHN DEERE MULTI-PURPOSE HD LITHIUM COMPLEX GREASE
[TY24416](#)

GREASE GUN
[TY26518](#)

Change As Required.



HOME MAINTENANCE KIT
[LG265](#)

TRANSMISSION



TRANSMISSION FILTER
[MIU800986](#)

Change Every 200 Hrs.



TRANSMISSION OIL
[TY22035](#) (JD LOW VISCOSITY HY-GARD™ OIL , 2.8 L (3.0 qt))

Change Every 200 Hrs.



TRACTION BELT
[UC35484](#) (LGTH = 2334 mm,
WIDTH = 12.70 mm, TK = 7.874 mm)



ELECTRICAL



KEY
[GY20680](#)



RIO SWITCH
[M171126](#)



BRAKE SWITCH
[AMT469](#)



IGNITION SWITCH
[AM133597](#)



HEADLIGHT
[AD2062R](#) (27 W)



BATTERY
[TY25221B](#) (12 V) (FOR CANADA AND USA)
[MCYP340PE](#) (12 V) (NOT FOR CANADA AND USA)

FUEL & AIR



FILLER CAP
[AM141406](#)



MUFFLER
[AM141137](#)

REPLACEMENT PARTS GUIDE

X390 With 48 Inch Accel Deep™ Deck

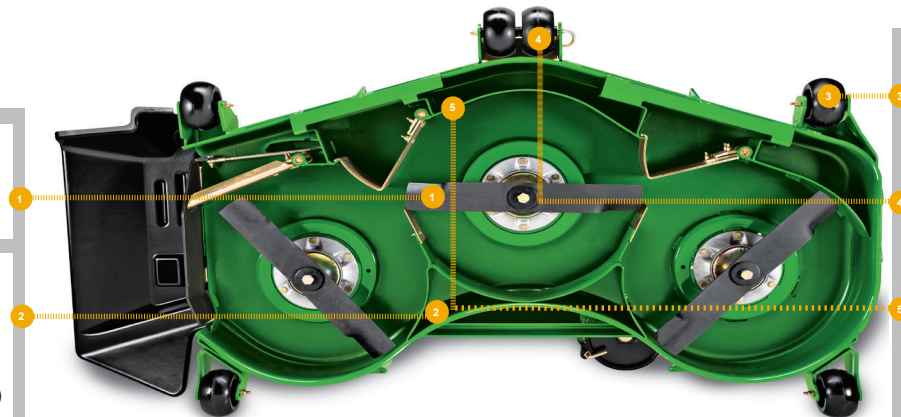
MOWER BLADES

[UC22009](#) (STANDARD)

V BELT

[M169485](#) (LGTH = 1900 mm, TK = 11 mm,
WIDTH = 16.6 mm) (PRIMARY)

[M169500](#) (LGTH = 2629 mm, TK = 11 mm,
WIDTH = 16.6 mm) (SECONDARY)



GAGE WHEEL

[M111489](#)

ROLLER

[M113955](#)

MULCH BLADE

[M127673](#)

MOWER DECK LEVELLING GUAGE

[AM130907](#)

REPLACEMENT PARTS GUIDE

X390 With 54 Inch Accel Deep™ Deck



MOWER BLADES

[UC22010](#) (STANDARD)

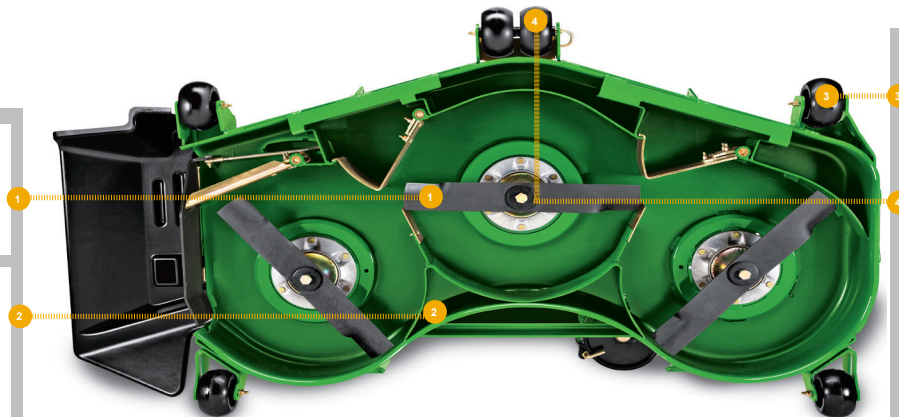
[M152726](#) (HIGH LIFT)



MOWER BELT

[M169485](#) (LGTH = 1900 mm, TK = 11 mm,
WIDTH = 16.6 mm) (PRIMARY)

[M169486](#) (LGTH = 2810 mm, TK = 11 mm,
WIDTH = 16.6 mm) (SECONDARY)



GAGE WHEEL

[M111489](#)



ROLLER

[M113955](#)



MOWER DECK LEVELLING GUAGE

[AM130907](#)