

# Z930A ZTrak™ Pro Series Mower



Commercial ZTR Mowers

# Z930A ZTrak™ Pro Series Mower

Key	Part No.	Description	Key	Part No.	Description
1	<a href="#">AM107423</a>	ENGINE OIL FILTER	17	<a href="#">TCA16216</a>	FILLER CAP
2	<a href="#">AUC13456</a>	AIR FILTER - PRIMARY	18	<a href="#">TCA21021</a>	MUFFLER
3	<a href="#">AUC13455</a>	AIR FILTER - SECONDARY	19	<a href="#">TCA19309</a>	CASTER WHEEL
4	<a href="#">AM116304</a>	FUEL FILTER	20	<a href="#">TCU13631</a>	TIRE REAR (24 X 12 - 12) - 54 inch OR 60 inch
5	<a href="#">MIA881446</a>	TRANSMISSION FILTER KIT	21	<a href="#">TCA23663</a>	SEAT ASSEMBLY
6	<a href="#">M805853</a>	SPARK PLUG	22	<a href="#">TCA15398</a>	BRAKE SWITCH
7	<a href="#">TCU25673</a>	V-BELT - TRACTION DRIVE (S/N - 020000)	23	<a href="#">TCA20380</a>	PTO CLUTCH
	<a href="#">TCU28433</a>	V-BELT - TRACTION DRIVE (S/N 020001 -)			
8	<a href="#">TY25221B</a>	WET CHARGED BATTERY			
9	<a href="#">TCA22740</a>	IGNITION SWITCH			
10	<a href="#">AUC12681</a>	IGNITION KEY			
11	<a href="#">AUC15008</a>	PTO SWITCH			
12	<a href="#">AUC12593</a>	STARTER			
13	<a href="#">AM123716</a>	RELAY			
14	<a href="#">AM117324</a>	SWITCH - HEADLIGHT (OPTIONAL)			
15	<a href="#">R136239</a>	HEADLIGHT BULB (OPTIONAL)			
16	<a href="#">AM125447</a>	HEADLIGHT (OPTIONAL)			

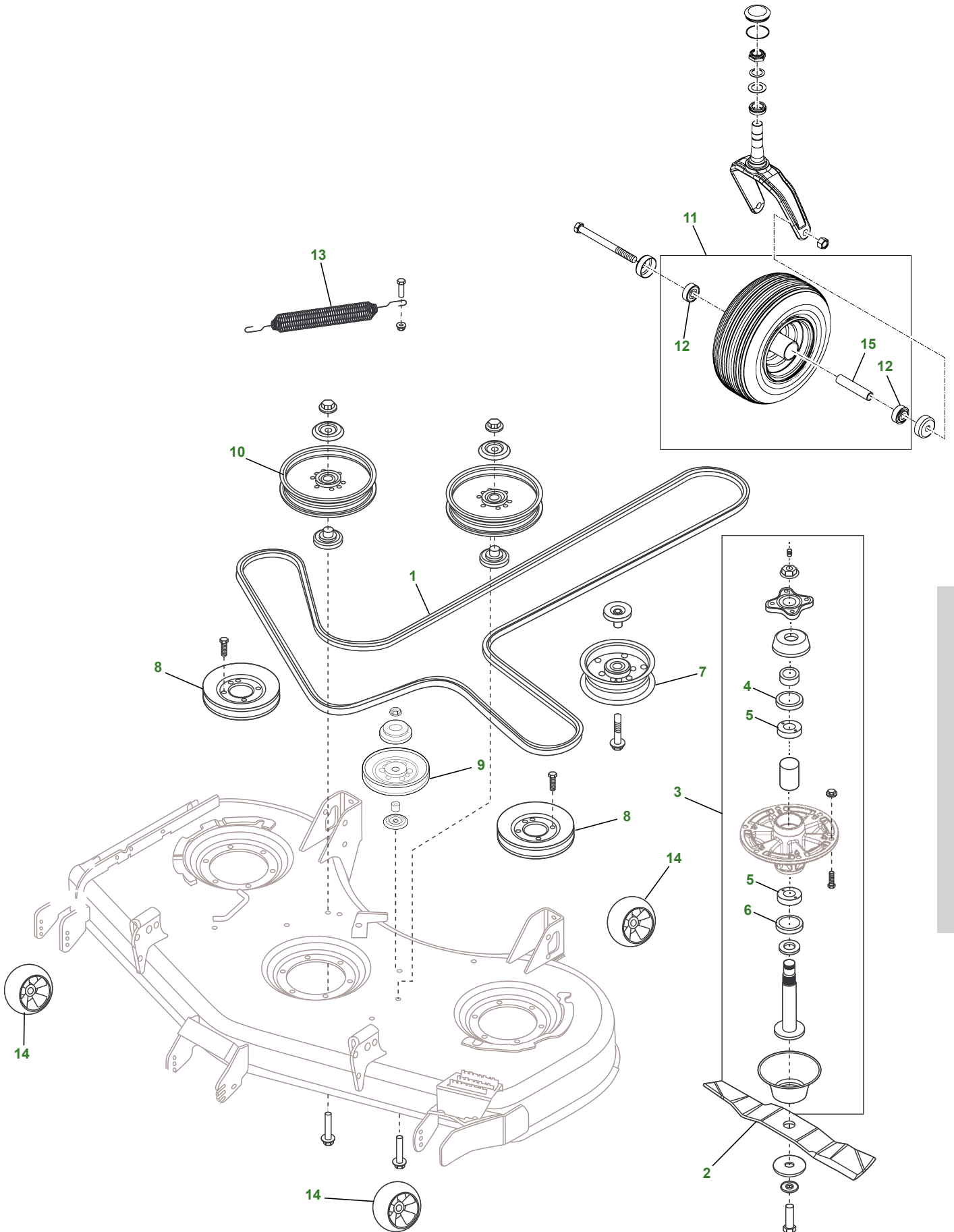
## Parts Needed in First 500 Hours of Operation

Qty	Part No.	Item	Capacity	Interval In Hours
6	<a href="#">AM107423</a>	Engine Oil Filter		8/100/200/300/400/500
18	<a href="#">TY22029</a>	Turf-Gard™ 10W-30 Engine Oil	1.7-2.1 L (1.8-2.2 qt)	8/100/200/300/400/500
1	<a href="#">AM116304</a>	Fuel Filter		500
1	<a href="#">MIA881446</a>	Transmission Filter	1	300
5	<a href="#">TY6354</a>	Hy-Gard™ Transmission Oil	4.25 L (4.5 qt)	300
1	<a href="#">TY6341</a>	Multi-Purpose SD Polyurea Grease (14 oz)		As Needed

## Frequently Used Items

Qty	Part No.	Item
1	<a href="#">AUC13456</a>	Air Filter - Primary
1	<a href="#">AUC13455</a>	Air Filter - Secondary
1	<a href="#">AM116304</a>	Fuel Filter
2	<a href="#">M805853</a>	Spark Plug
1	<a href="#">TCU25673</a> <a href="#">TCU28433</a>	Belt - Traction Drive - (S/N - 020000) Belt - Traction Drive - (S/N 020001-)
1	<a href="#">TCA16216</a>	Filler Cap
1	<a href="#">AUC12681</a>	Ignition Key
1	<a href="#">AM130907</a>	Mower Deck Leveling Gauge
1	<a href="#">TY26518</a>	Grease Gun

# 48 in. / 54 in. / 60 in. / 72 in. decks (Z900 Series)



Commercial ZTR Mowers

## 48 in . / 54 in . / 60 in . / 72 in . decks (Z900 Series) (Continued)

Key	Part No	Description	Key	Part No	Description
1	<a href="#">TCU26294</a>	..... BELT - 48 in.	8	<a href="#">TCU26965</a>	..... SHEAVE ASSEMBLY - 48 in.
	<a href="#">TCU26295</a>	..... BELT - 54 in.		<a href="#">TCU26966</a>	..... SHEAVE ASSEMBLY - 54 in.
	<a href="#">TCU26297</a>	..... BELT - 60 in.		<a href="#">TCU26967</a>	..... SHEAVE ASSEMBLY - 60 in.
	<a href="#">TCU26298</a>	..... BELT - 72 in.		<a href="#">TCU26968</a>	..... SHEAVE ASSEMBLY - 72 in.
2	<a href="#">TCU30315</a>	..... BLADE - 48 in	9	<a href="#">AUC16478</a>	..... IDLER
	<a href="#">TCU21475</a>	..... BLADE - MOD - 48 in.		<a href="#">24M7047</a>	..... WASHER
	<a href="#">TCU30316</a>	..... BLADE - 54 in.	10	<a href="#">AUC11584</a>	..... IDLER
	<a href="#">TCU15881</a>	..... BLADE - HIGH LIFT - 60 in.	11	<a href="#">TCA19309</a>	..... CASTER WHEEL TIRE & WHEEL ASSEMBLY
	<a href="#">M133381</a>	..... BLADE - LOW LIFT - 60 in.	12	<a href="#">AA21480</a>	..... BALL BEARING
	<a href="#">M168223</a>	..... BLADE - MULCH - 60 in.	13	<a href="#">TCU22526</a>	..... EXTENSION SPRING - 48 in.
	<a href="#">TCU15882</a>	..... BLADE -HIGH LIFT - 72 in.		<a href="#">TCU27010</a>	..... EXTENSION SPRING - 54 in.
	<a href="#">M142514</a>	..... BLADE - MULCH - 72 in.		<a href="#">TCU24629</a>	..... EXTENSION SPRING - 60 in.
3	<a href="#">TCA24880</a>	..... SPINDLE KIT		<a href="#">TCU27011</a>	..... EXTENSION SPRING - 72 in.
4	<a href="#">M85699</a>	..... SEAL	14	<a href="#">TCU18744</a>	..... GAGE WHEEL
5	<a href="#">M88251</a>	..... BEARING	15	<a href="#">TCU22374</a>	..... SPACER
6	<a href="#">M127198</a>	..... SEAL			
7	<a href="#">TCA20602</a>	..... IDLER			
	<a href="#">TCU29427</a>	..... SPACER			