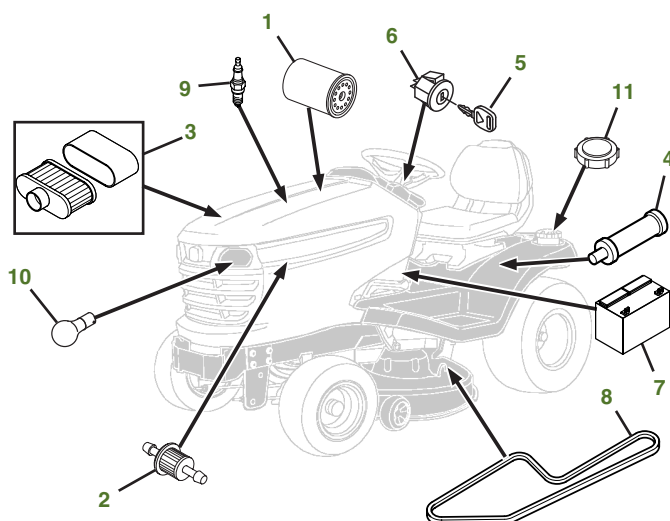
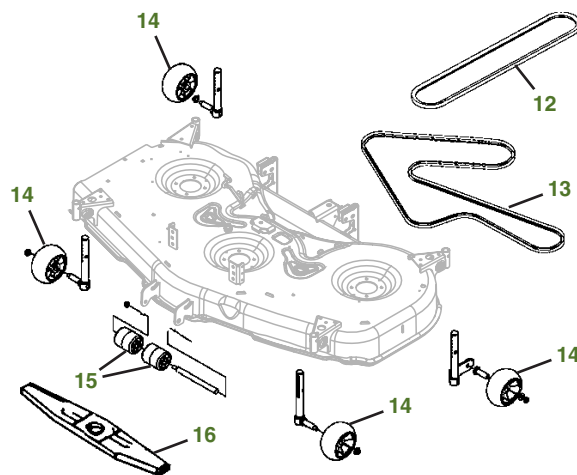


MAINTENANCE REMINDER SHEET

X390 with 54" Accel Deep™ Deck



Tractor S/N



Deck S/N

Key	Part No.	Description	Key	Part No.	Description
1	AM125424	ENGINE OIL FILTER	11	AM141406	FUEL CAP
2	AM116304	FUEL FILTER-IN-LINE	12	M169485	BELT-MOWER-PRIMARY
3	MIU12554	AIR FILTER-FOAM	13	M169486	BELT-MOWER-SECONDARY
	MIU12555	AIR FILTER-PAPER	14	M111489	GAGE WHEEL
4	MIU800986	TRANSMISSION FILTER	15	M113955	FRONT ROLLER
5	GY20680	KEY	16	M143520	BLADE-SIDE DISCHARGE 54"
6	AM133597	IGNITION SWITCH		M177791	BLADE-MULCHING 54"
7	TY25221	BATTERY		M152726	BLADE HIGH LIFT 54"
8	M144044	BELT-TRAC DRIVE		BM24994	MulchControl™ KIT
9	M805853	SPARK PLUG			
10	AD2062R	HEADLIGHT BULB			

Parts Needed in First 250 Hours of Operation

Qty	Part No	Item	Qty or Capacity	Change Interval In Hours
5	TY22029	Engine Oil Turf-Gard™ 10W30	2.1 L (2.2 qt)	100/200
2	AM125424	Engine Oil Filter	1	100/200
5	TY22035	JD Low Viscosity Hy-Gard™ Oil	2.17 L (2.28 qt)	50/200
2	MIU800986	Transmission Filter	1	50/200
2	MIU12554	Air Filter-Foam	1	100/200
2	MIU12555	Air Filter-Paper	1	100/200
2	AM116304	Fuel Filter-In-Line	1	100/200
4	M805853	Spark Plug	2	100/200
2	TY24416	John Deere Multi-Purpose HD Lithium Complex Grease		As Needed

"As Needed" Parts

Qty	Part No	Item
1	AM130907	Mower Deck Leveling Gauge
1	TY26518	Grease Gun

Home Maintenance Kit

Unit	Kit Number
X390	LG265

CLICK PART NUMBER TO BUY