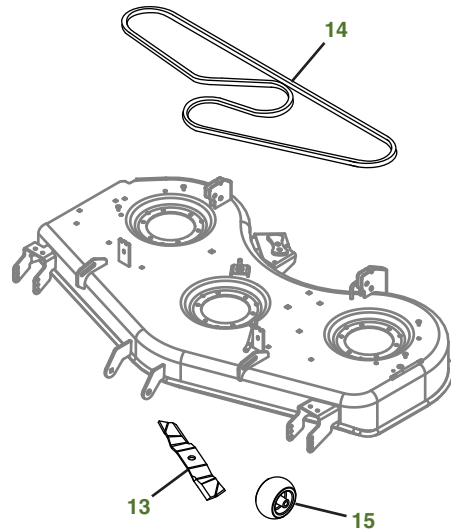
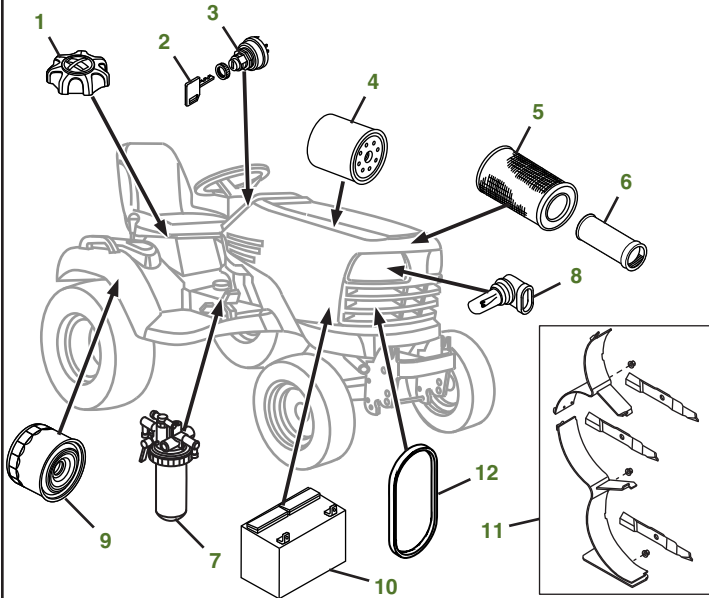


MAINTENANCE REMINDER SHEET

X758 with 54" High Capacity Deck



Tractor S/N

Deck S/N

Key	Part No.	Description	Key	Part No.	Description
1	AM123508	FUEL CAP (S/N -020000)	10	TY25876	BATTERY - DRY CHARGED
	AM144789	FUEL CAP (S/N 020001-)	11	BM23977	MULCH KIT - 54C DECK (S/N -030000)
2	GY20680	KEY		BM26300	KIT - MULCHCONTROL™ (S/N 030001-)
3	AM133596	IGNITION SWITCH	12	MIU800108	FAN BELT (S/N -040000)
4	M806418	ENGINE OIL FILTER		MIU800639	FAN BELT (S/N 040001-)
5	M113621	ENGINE AIR FILTER-PRIMARY	13	M164016	BLADE - STANDARD 54"
6	M123378	ENGINE AIR FILTER-SECONDARY		M135334	BLADE - MULCHING 54"
7	M801101	FUEL FILTER	14	M165156	BELT
8	AM118013	HEADLIGHT BULB	15	TCU18744	GAGE WHEEL (S/N -050000)
9	AM131054	TRANSAXLE FILTER		AM148120	GAGE WHEEL (S.N 050001-)

Parts Needed in First 200 Hours of Operation

Qty	Part No	Item	Qty or Capacity	Change Interval In Hours
7	TY26674	John Deere PLUS-50™ II 15W- 40 Oil	3.2 L (3.4 qt)	50/200
2	M806418	Engine Oil Filter	1	50/200
15	TY22035	1 gal Low Viscosity Hy-Gard™	6.8 L (7.2 qt)	50/200
2	AM131054	Transaxle Filter	1	50/200
1	M801101	Fuel Filter	1	200
1	TY24416	John Deere Multi-Purpose HD Lithium Complex Grease		As Needed

"As Needed" Parts

Qty	Part No	Item
1	AM136872	Mower Deck Leveling Gauge
1	TY26288	Grease Gun

Home Maintenance Kit

Unit	Kit Number
X758	LG260

CLICK PART NUMBER TO BUY