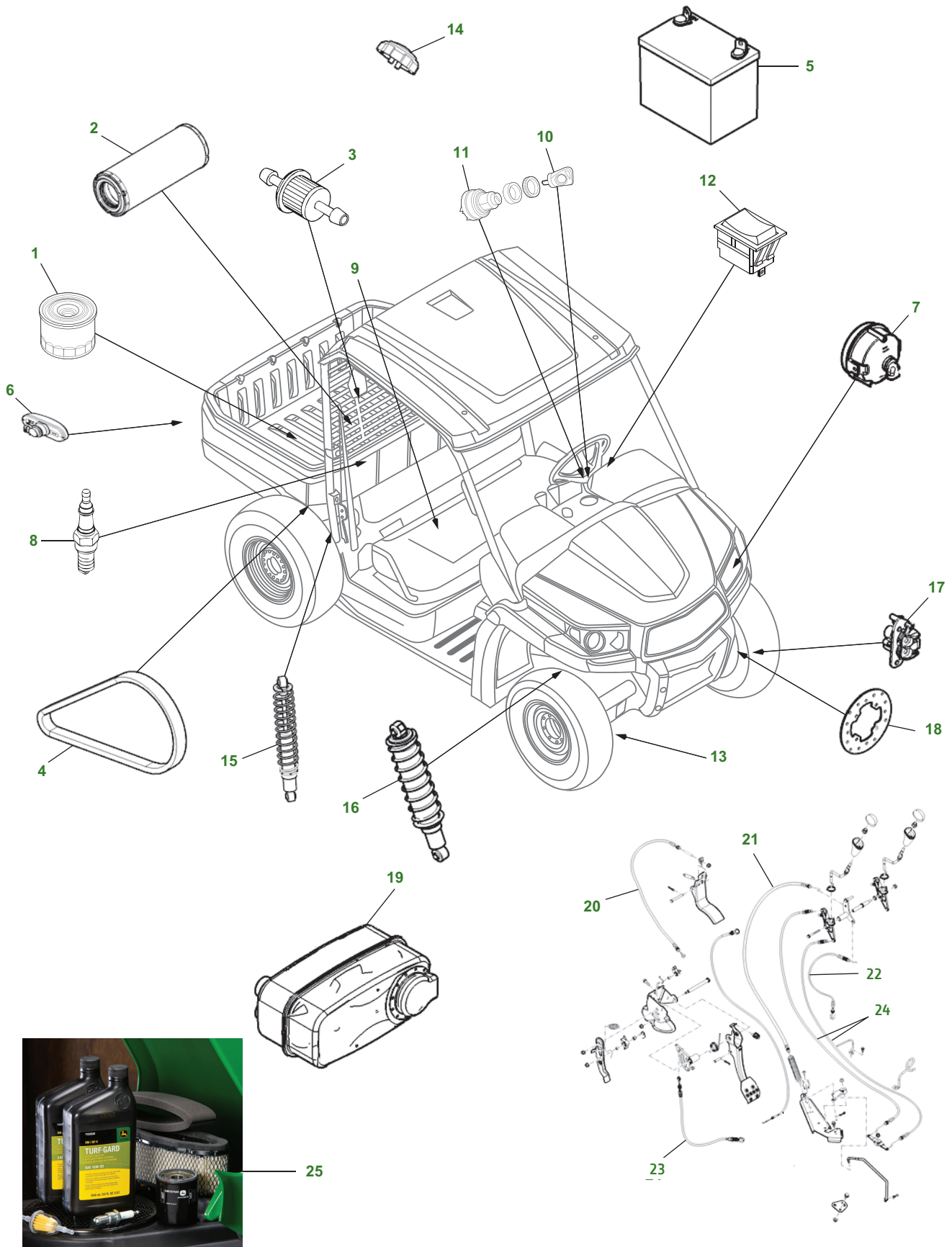


XUV590i / XUV590i S4 (Green & Yellow, Olive & Black)



XUV590i / XUV590i S4 (Green & Yellow, Olive & Black)

| Key | Part No. | Description | Key | Part No. | Description |
|-----|--------------------------|----------------------------------|-----|--------------------------|---------------------------------------|
| 1 | AM107423 | OIL FILTER | 17 | AM148331 | DISK BRAKE CALIPER ASSY - R FRONT |
| 2 | M170281 | AIR FILTER ELEMENT | | AM148330 | DISK BRAKE CALIPER ASSY - L FRONT |
| 3 | AM117584 | FUEL FILTER - IN LINE | | AM148332 | DISK BRAKE CALIPER ASSY - R REAR |
| 4 | M167602 | BELT - CVT INLET | | AM148333 | DISK BRAKE CALIPER ASSY - L REAR |
| 5 | TY25221 | BATTERY | | AM147009 | BRAKE KIT - FRONT PAD - (S/N -020000) |
| 6 | AM140754 | STOP LIGHT | | AM148144 | BRAKE KIT - FRONT PAD - (S/N 020001-) |
| 7 | AM141893 | HEADLIGHT | | AM147010 | BRAKE KIT - REAR PAD - (S/N -020000) |
| 8 | MIU12783 | SPARK PLUG | | AM148145 | BRAKE KIT - REAR PAD - (S/N 020001-) |
| 9 | AM147576 | SEAT BACK - YELLOW | 18 | M166762 | ROTOR |
| | AM147575 | SEAT BENCH - YELLOW | 19 | AM142943 | MUFFLER |
| | AM147577 | SEAT BACK - BLACK | 20 | AUC12584 | CABLE-THROTTLE - XUV 590i |
| | AM147574 | SEAT BENCH - BLACK | | AUC12585 | CABLE-THROTTLE - XUV 590i S4 |
| 10 | TCA24616 | KEY | 21 | AM148042 | CABLE - MFWD |
| 11 | TCA22740 | IGNITION SWITCH | 22 | AM148202 | CABLE - PARK/DIFFERENTIAL LOCK |
| 12 | AM117324 | ROCKER SWITCH - HEADLIGHT | 23 | AUC13596 | CABLE - PARK BRAKE |
| | AM147345 | ROCKER SWITCH - POWER LIFT DUMP | 24 | AM147989 | CABLE - GEARSHIFT - XUV 590i |
| 13 | M178227 | TIRE - FRONT — 25 X 8-12 in | | AM147990 | CABLE - GEARSHIFT - XUV 590i S4 |
| | M178228 | TIRE - REAR - TH — 25 X 10-12 in | 25 | LG279 | HOME MAINTENANCE KIT |
| 14 | AM142833 | FILLER CAP | | | |
| 15 | AM144886 | SHOCK - REAR XUV 590i | | | |
| | AM145294 | SHOCK - REAR XUV 590i S4 | | | |
| 16 | AM144884 | SHOCK - FRONT XUV 590i | | | |
| | AM145293 | SHOCK - FRONT XUV 590i S4 | | | |

Parts Needed in First 250 Hours of Operation

| Qty | Part No. | Item | Capacity | Interval In Hours |
|-----|--------------------------|--|---------------|-------------------|
| 3 | AM107423 | Engine Oil Filter | | 8/100/200 |
| 6 | TY22029 | John Deere TURF-GARD™ Oil | 1.9 L (2 qt) | 8/100/200 |
| 1 | M170281 | Air Filter | | 200 |
| 1 | AM117584 | Fuel Filter | | 200 |
| 2 | MIU12783 | Spark Plugs | | 200 |
| 3 | TY24416 | John Deere Multi-Purpose HD Lithium Complex Grease | | As Needed |

Capacities

Crankcase (with filter change) 1.9 L (2 qt)
 4WD Front Differential..... 0.4 L (0.4 qt)
 Transaxle 2.6 L (2.7 qt)
 TY26183 Grease Gun