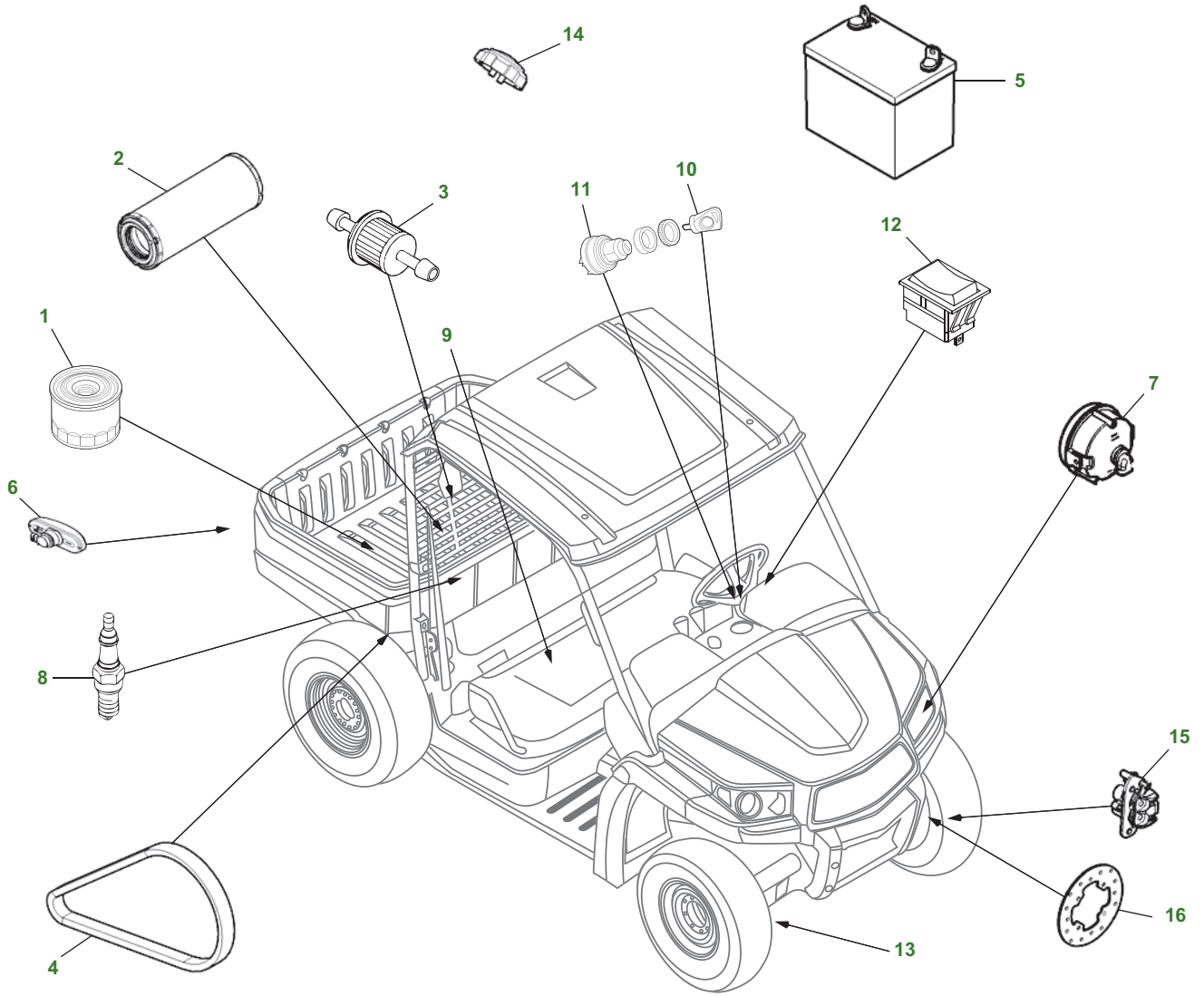


# Gator HPX615E (Green & Yellow)



17

## Gator HPX615E (Green &amp; Yellow)

| Key | Part No.                 | Description               | Key | Part No.                 | Description                          |
|-----|--------------------------|---------------------------|-----|--------------------------|--------------------------------------|
| 1   | <a href="#">AM107423</a> | OIL FILTER                | 13  | <a href="#">M178664</a>  | TIRE - FRONT - 24X9.5-10 ALL PURPOSE |
| 2   | <a href="#">M113621</a>  | AIR FILTER ELEMENT        |     | <a href="#">M178665</a>  | TIRE - REAR - 24X10.5-10 ALL PURPOSE |
| 3   | <a href="#">AM116304</a> | FUEL FILTER - IN LINE     |     | <a href="#">M178666</a>  | TIRE - FRONT - 24X9.5-10 AGGRESSIVE  |
| 4   | <a href="#">UC14244</a>  | BELT-DRIVE                |     | <a href="#">M178667</a>  | TIRE - REAR - 24X12-10 AGGRESSIVE    |
| 5   | <a href="#">TY25221</a>  | BATTERY                   |     | <a href="#">M178662</a>  | TIRE - FRONT - 24X9.5-10 TURF        |
| 6   | <a href="#">R133302</a>  | STOP LIGHT                |     | <a href="#">M178663</a>  | TIRE - REAR - 24X12-10 TURF          |
| 7   | <a href="#">AM144798</a> | HEADLIGHT                 | 14  | <a href="#">AM146094</a> | FILLER CAP                           |
| 8   | <a href="#">M138938</a>  | SPARK PLUG                | 15  | <a href="#">AUC13924</a> | DISK BRAKE CALIPER ASSY - FRONT      |
| 9   | <a href="#">AM140623</a> | SEAT BACK - YELLOW        |     | <a href="#">AUC11301</a> | DISK BRAKE CALIPER ASSY - R REAR     |
|     | <a href="#">AM140624</a> | SEAT BENCH - YELLOW       |     | <a href="#">AUC11302</a> | DISK BRAKE CALIPER ASSY - L REAR     |
|     | <a href="#">VG11696</a>  | SEAT - YELLOW             |     | <a href="#">M161183</a>  | BRAKE PAD KIT                        |
| 10  | <a href="#">TCA24616</a> | KEY                       | 16  | <a href="#">AM142950</a> | ROTOR - FRONT                        |
| 11  | <a href="#">AUC12631</a> | IGNITION SWITCH           |     | <a href="#">AM135647</a> | ROTOR - REAR                         |
| 12  | <a href="#">AM147340</a> | ROCKER SWITCH - HEADLIGHT | 17  | <a href="#">LG259</a>    | HOME MAINTENANCE KIT                 |

## Parts Needed in First 250 Hours of Operation

| Qty | Part No.                 | Item   | Capacity        | Interval In Hours |
|-----|--------------------------|--|-----------------|-------------------|
| 3   | <a href="#">AM107423</a> | Engine Oil Filter                                  |                 | 8/100/200         |
| 5   | <a href="#">TY22029</a>  | JD TURF-GARD™4 10W30 Engine Oil                    | 1.3 L (1.37 qt) | 8/100/200         |
| 1   | <a href="#">M113621</a>  | Air Filter   |                 | 200               |
| 1   | <a href="#">AM116304</a> | Fuel Filter  |                 | 200               |
| 2   | <a href="#">M138938</a>  | Spark Plugs  |                 | 200               |
| 3   | <a href="#">TY24416</a>  | John Deere Multi-Purpose HD Lithium Complex Grease |                 | As Needed         |

## Capacities

Engine Oil Capacity (with filter change) . . . . . 1.3 L (1.37 qt)  
 4WD Front Differential . . . . . 150 mL (0.15 qt)  
 Transaxle . . . . . 4.5 L (4.8 qt)  
 Cooling System (including recovery tank) . . . . . 5.0 L (5.2 qt)  
 TY26183 . . . . . Grease Gun