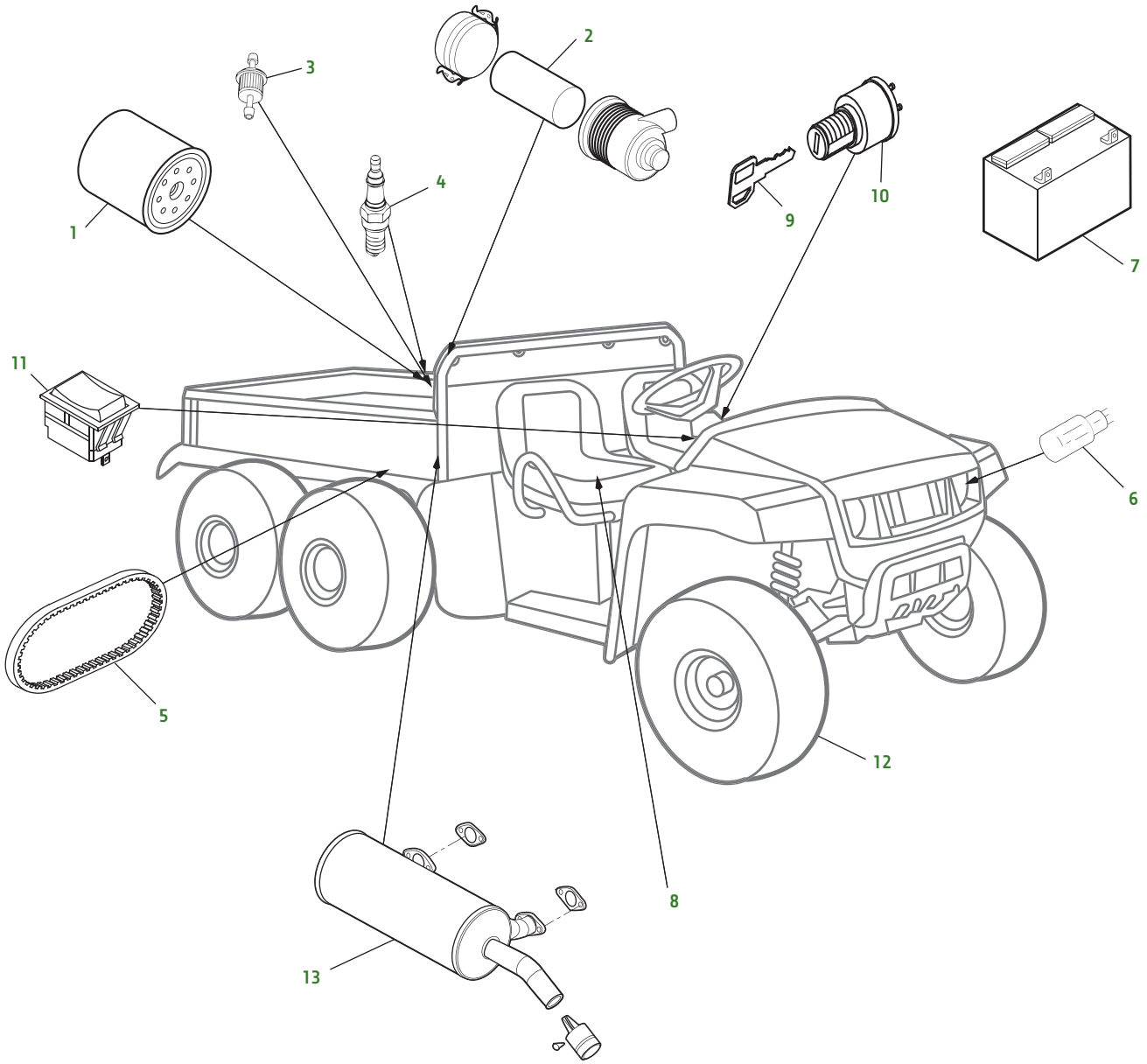


# Gator TH 6X4



Key	Part No.	Description	Key	Part No.	Description
1	<a href="#">AM107423</a>	OIL FILTER - ENGINE	13	<a href="#">VGA10547</a>	MUFFLER (S/N - 050000)
2	<a href="#">M113621</a>	AIR FILTER		<a href="#">AM138509</a>	MUFFLER (S/N 050001-)
3	<a href="#">AM116304</a>	FUEL FILTER		<a href="#">M136651</a>	GASKET
4	<a href="#">M138938</a>	SPARK PLUG		<a href="#">AM108146</a>	ARRESTOR (S/N -100000)
5	<a href="#">M174026</a>	BELT - DRIVE		<a href="#">M158299</a>	ARRESTOR (S/N 100001-)
6	<a href="#">AM118013</a>	BULB - HEADLIGHT	14	<a href="#">LG259</a>	HOME MAINTENANCE KIT
7	<a href="#">TY25221</a>	BATTERY - DRY			
8	<a href="#">VG11696</a>	SEAT (S/N -100000)			
	<a href="#">AM140211</a>	SEAT (S/N 100001-)			
9	<a href="#">AM131841</a>	KEY			
10	<a href="#">TCA22740</a>	SWITCH - IGNITION			
11	<a href="#">AM117324</a>	SWITCH - LIGHT			
12	<a href="#">M138664</a>	TIRE - FRONT - 22.5 X 10-8 in †			
	<a href="#">M170693</a>	TIRE - FRONT - ALL PURPOSE — 22.5 X 10-8 in ‡			
	<a href="#">M170694</a>	TIRE - FRONT - TURF — 22.5 X 10-8 in ‡			
	<a href="#">R90798</a>	TIRE - FRONT - 22.5 X 10-8 in †			
	<a href="#">M170695</a>	TIRE - FRONT - KNOBBY — 22.5 X 10-8 in ‡			
	<a href="#">M170696</a>	TIRE - REAR - INNOVA TIRE			
	<a href="#">M171009</a>	TIRE - REAR - TURF — 25 X 12-9 in ‡			
	<a href="#">R90796</a>	TIRE - REAR - ALL TERRAIN — 25 X 12-9 in †			
	<a href="#">M170697</a>	TIRE - REAR - KNOBBY — 25 X 12-9 in ‡			

† CARLISLE TIRES  
‡ INNOVA TIRES  
(Mixing between Carlisle and Innova is not allowed, replace in complete sets)

## Parts Needed in First 250 Hours of Operation

Qty	Part No.	Item	Capacity	Interval In Hours
3	<a href="#">AM107423</a>	Engine Oil Filter		8/100/200
6	<a href="#">TY22029</a>	JD TURF-GARD™ 4 10W30 Engine Oil	1.7 L (1.8 qt)	8/100/200
1	<a href="#">M113621</a>	Air Filter		200
1	<a href="#">AM116304</a>	Fuel Filter		200
2	<a href="#">M138938</a>	Spark Plug		200
3	<a href="#">TY24416</a>	Multi-Purpose HD Lithium Complex Grease		As Needed

## Frequently Used Items

Qty	Part No.	Item
1	<a href="#">AM131841</a>	Key - Ignition
1	<a href="#">VGA10167</a>	Filler Cap (S/N -060000)
1	<a href="#">AM141581</a>	Filler Cap (S/N 060001-)
1	<a href="#">M174026</a>	Belt - Drive
1	<a href="#">TY26183</a>	Grease Gun