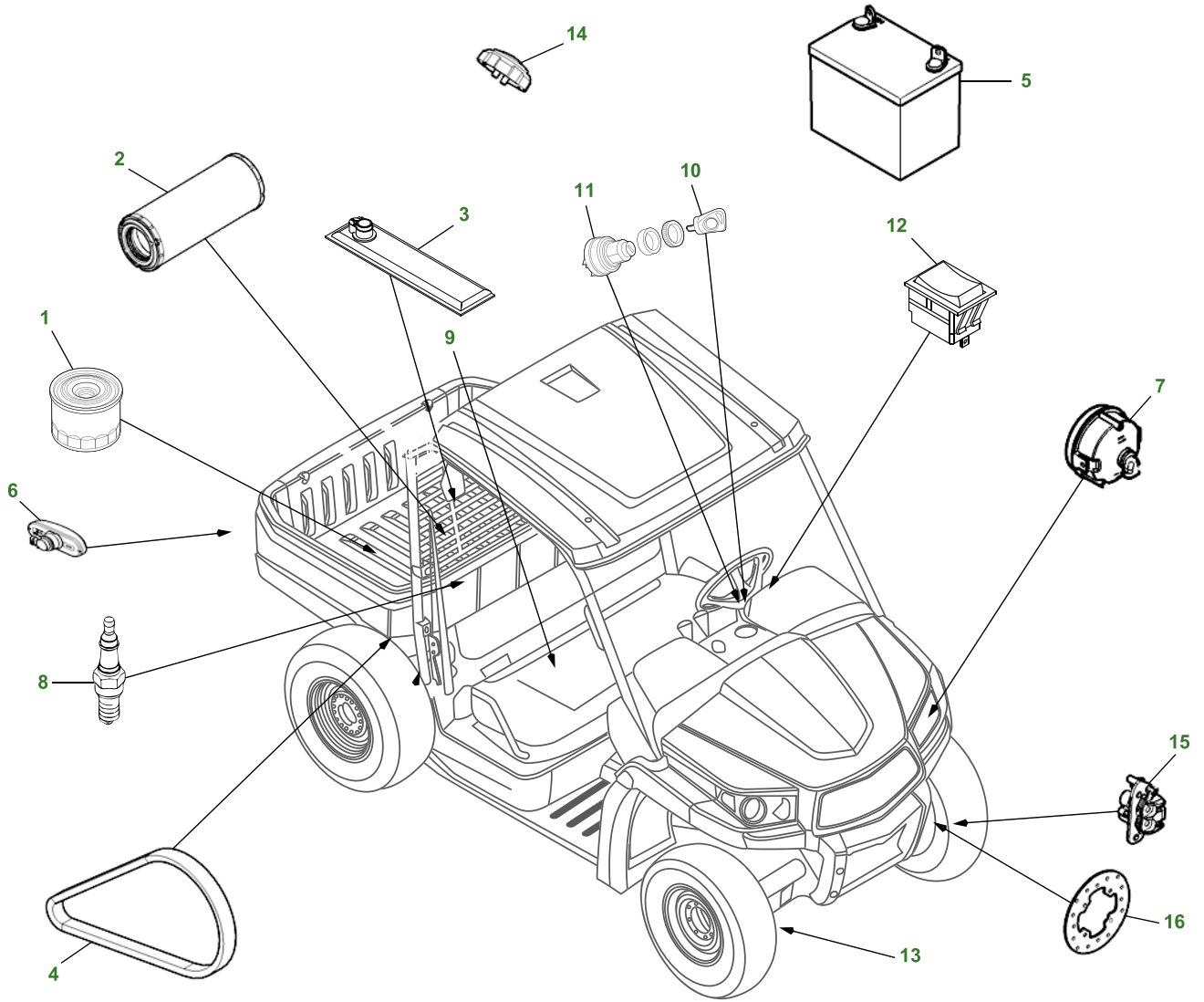


Gator XUV825E & XUV825M 4X4 (Camo, Green & Yellow, Olive & Black)



Gator XUV825E & XUV825M 4X4 (Camo, Green & Yellow, Olive & Black)

Key	Part No.	Description	Key	Part No.	Description
1	AM107423	OIL FILTER	12	AM147340	ROCKER SWITCH - HEADLIGHT
2	M113621	AIR FILTER ELEMENT	13	M177842	TIRE - FRONT - 26 X 9-12
3	UC16096	FUEL FILTER - IN LINE		M177844	TIRE - FRONT - SPORT - 27 X 9-14
4	M174096	BELT-DRIVE		M177846	TIRE - FRONT - 6 PLY - 25X 9-12
	MIU13962	BELT - ALTERNATOR		M177843	TIRE - REAR - 27 X 11-12
5	TY25881	BATTERY		M177845	TIRE - REAR - SPORT - 27X 11-14
6	R133302	BULB - BRAKE LIGHT		M177847	TIRE - REAR - 6 PLY - 25 X 11-12
7	AM144882	BULB - HEADLIGHT	14	AM146138	FILLER CAP
8	MIU12783	SPARK PLUG	15	AM140607	BRAKE KIT - FRONT - INCLUDES 4 PADS
9	AM138194	SEAT - YELLOW		AM141182	BRAKE KIT - REAR - INCLUDES 4 PADS
	AM138195	SEAT - BLACK	16	AM142949	ROTOR
10	AUC12681	KEY	17	LG270	HOME MAINTENANCE KIT
11	AUC12631	IGNITION SWITCH			

Parts Needed in First 250 Hours of Operation

Qty	Part No.	Item	Capacity	Interval In Hours
3	AM107423	Engine Oil Filter		8/100/200
7	TY22029	John Deere Turf-Gard™ 10W30 Engine Oil	2.2 L (2.3 qt)	8/100/200
1	M113621	Air Filter		200
1	MIU12783	Spark Plug		200
3	TY24416	Multi-Purpose HD Lithium Complex Grease		As Needed

Capacities

Crankcase (with filter)	2.2 L (2.3 qt)
4WD Front Differential	0.59 L (0.61 qt)
Transaxle	3.8 L (4 qt)
Cooling System (Including Recovery Tank)	5 L (5.2 qt)