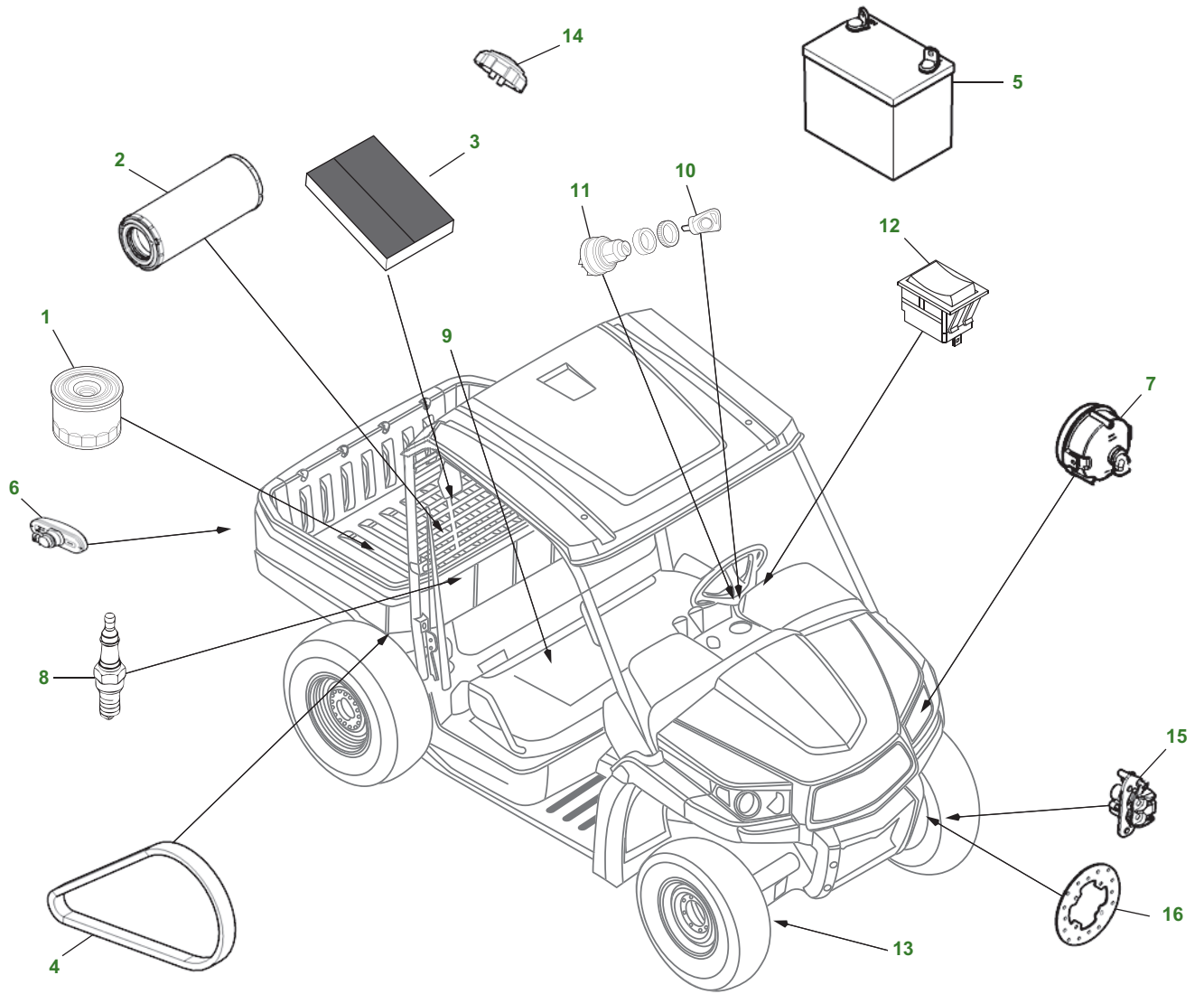


Gator XUV835E, XUV835M, XUV835R 4X4



17

Gator XUV835E, XUV835M, XUV835R 4X4

Key	Part No.	Description	Key	Part No.	Description
1	AM107423	OIL FILTER	10	AUC12681	KEY
2	M177598	AIR FILTER ELEMENT	11	TCA22740	IGNITION SWITCH (S/N -020000)
3	M177743	CABIN FILTER (HVAC)		AUC12631	IGNITION SWITCH (S/N 020001-)
4	M174096	BELT-DRIVE	12	AM147340	ROCKER SWITCH - HEADLIGHT
	MIU13962	BELT - ALTERNATOR	13	M177842	TIRE - FRONT - 26 X 9-12
5	TY25881	BATTERY		M177844	TIRE - FRONT - SPORT - 27 X 9-14
6	R133302	BULB - BRAKE LIGHT		M177846	TIRE - FRONT - 6 PLY - 25X 9-12
7	AXE16948	BULB HEADLIGHT - XUV835E/M		M177843	TIRE - REAR - 27 X 11-12
	AM146908	BULB HEADLIGHT - LED XUV835R		M177845	TIRE - REAR - SPORT - 27X 11-14
8	MIU12783	SPARK PLUG		M177847	TIRE - REAR - 6 PLY - 25 X 11-12
9	AM146335	DRIVERS SEAT - YELLOW	14	AUC12860	FILLER CAP
	AM146336	SEAT BOTTOM - YELLOW	15	AM147009	BRAKE PAD - FRONT
	AM147196	SEAT BACK - YELLOW		AM147010	BRAKE PAD - REAR
	AM146640	DRIVERS SEAT - BLACK	16	AM142949	ROTOR
	AM146641	SEAT BOTTOM - BLACK	17	LG270	HOME MAINTENANCE KIT
	AM147611	SEAT BACK - BLACK			
	AM138194	SEAT BUCKET - YELLOW			
	AM138195	SEAT BUCKET - BLACK			
	AM144196	SEAT - SPORT			
	AUC14426	DRIVERS SEAT - XUV835R			
	AUC14430	SEAT BOTTOM - XUV835R			
	AUC14429	SEAT BACK - XUV835R			

Parts Needed in First 250 Hours of Operation

Qty	Part No.	Item	Capacity	Interval In Hours
3	AM107423	Engine Oil Filter		8/100/200
7	TY22029	Turf-Gard™ Engine Oil	2.2 L (2.3 qt)	8/100/200
1	M177598	Air Filter		200
3	MIU12783	Spark Plugs		200
3	TY24416	Multi-Purpose HD Lithium Complex Grease		As Needed

Capacities

Crankcase (with filter)	2.2 L (2.3 qt)
4WD Front Differential	0.59 L (0.61 qt)
Transaxle	3.8 L (4 qt)
Cooling System (Including Recovery Tank)	5 L (5.2 qt)
Brake	356 ML (0.38 qt)