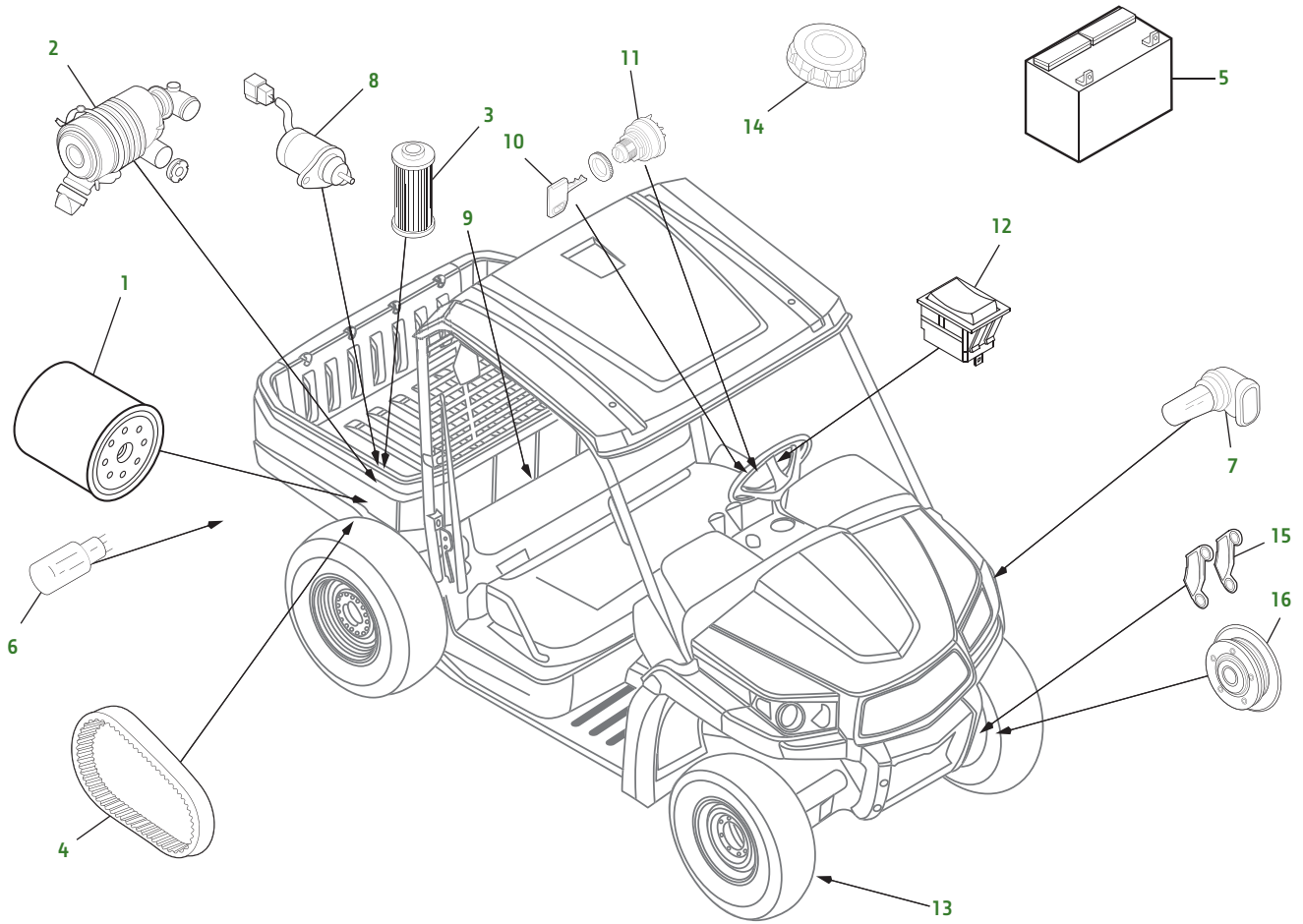


# Gator XUV855E AND XUV855M 4X4 (Camo, Green & Yellow, Olive & Black)



# Gator XUV855E AND XUV855M 4X4 (Camo, Green & Yellow, Olive & Black)

Key	Part No.	Description	Key	Part No.	Description
1	<a href="#">M806418</a>	OIL FILTER	14	<a href="#">AM146278</a>	FILLER CAP
2	<a href="#">M113621</a>	AIR FILTER ELEMENT - PRIMARY	15	<a href="#">AM140607</a>	BRAKE KIT - FRONT - INCLUDES 4 PADS
	<a href="#">M123378</a>	AIR FILTER ELEMENT - SECONDARY		<a href="#">AM141182</a>	BRAKE KIT - REAR - INCLUDES 4 PADS
3	<a href="#">M801101</a>	FUEL FILTER ELEMENT	16	<a href="#">AM142949</a>	ROTOR
4	<a href="#">M174096</a>	BELT - DRIVE	17	<a href="#">LG260</a>	HOME MAINTENANCE KIT
	<a href="#">MIU800679</a>	BELT - FAN			
5	<a href="#">TY25881</a>	BATTERY			
6	<a href="#">R133302</a>	BULB - BRAKE LIGHT			
7	<a href="#">AM144882</a>	BULB - HEADLIGHT			
8	<a href="#">M806808</a>	FUEL SHUTOFF SOLENOID			
9	<a href="#">AM138194</a>	SEAT - YELLOW			
	<a href="#">AM138195</a>	SEAT - BLACK			
10	<a href="#">AUC12681</a>	KEY			
11	<a href="#">AUC12631</a>	IGNITION SWITCH			
12	<a href="#">AM147340</a>	ROCKER SWITCH - HEADLIGHT			
13	<a href="#">M177842</a>	TIRE - FRONT — 26 X 9-12 in			
	<a href="#">M177843</a>	TIRE - REAR — 26 X 11-12 in			
	<a href="#">M177846</a>	TIRE - FRONT - 6 PLY 25 X 9-12 in			
	<a href="#">M177847</a>	TIRE - REAR - 6 PLY 25 X 11-12 in			
	<a href="#">M177844</a>	TIRE - REAR — 27 X 9-14 in			
	<a href="#">M177845</a>	TIRE - REAR — 27 X 11-14 in			

## Parts Needed in First 250 Hours of Operation

Qty	Part No.	Item	Capacity	Interval In Hours
1	<a href="#">M806418</a>	Engine Oil Filter		200
2	<a href="#">TY26669</a>	John Deere PLUS-50™ II 15W-40 Engine Oil	1.7 L (1.8 qt)	200
3	<a href="#">TY24416</a>	Multi-Purpose HD Lithium Complex Grease		As Needed
1	<a href="#">M801101</a>	Fuel Filter		200

## Capacities

Crankcase (with filter)	1.7 L (1.8 qt)
4WD Front Differential	0.59 L (0.61 qt)
Transaxle	3.8 L (4 qt)
Cooling System (including recovery tank)	5.0 L (5.2 qt)