

G-SERIES
EXCAVATORS



JOHN DEERE

75G / 85G



**BRIDGE
THE GAP**



DEERE



+



RELIABLE

PERFORMANCE



**MIDSIZE
MIGHT.**



FIT IN MORE PRODUCTIVITY.

Neither too big nor too small, these right-size excavators are the perfect solution for a wide variety of tasks. Their reduced-tail-swing configurations provide extra flexibility, enabling them to maneuver nimbly and work efficiently in and around congested conditions. What's more, the 85G comes equipped with an independent-swing boom that enables work close to curbs, parallel to structures, or alongside traffic. Their spacious, comfortable cabs feature easy-to-navigate enhanced LCD monitors that let operators easily dial-in a wealth of machine info and functionality. See how the 75G and 85G can be a perfect fit for your equipment fleet for years to come.

ALL IN THE FAMILY

SIZE THEM UP.

When we designed the 75G and 85G, we combined the agility and adaptability of our smaller compact models with the power and wide-ranging capabilities of their large excavator siblings — all with the flexibility of your fleet in mind.

Have it your way

Undercarriage options include rubber tracks or sealed and lubricated chain with rubber pads or steel semi-grousers from 18- to 24-inches wide. Numerous arm and bucket options let you spec the right excavator for the way you work.

Mass transit

These go-to taskmasters transport easily between jobsites, making them ideal for “dig-and-go” jobs.

Blade runner

The standard blade enables the 75G and 85G to capably backfill and clean up. It also increases agility and stability on slopes.

At home in the cab

Spacious operator stations with large entryways and expansive sight lines help redefine comfort and convenience.

Auxiliary forces

Factory-installed standard auxiliary hydraulics with proportional control boost jobsite productivity. High-pressure, high-flow auxiliary hydraulic packages power the addition of a hydraulic hammer or a wide range of over 100 John Deere attachments.



YOUR CHOICE
OF UNDERCARRIAGE, ARM,
AND BUCKET OPTIONS





SMOOTH OPERATORS
FORM AND
FUNCTION.

YOU HAVE WORK TO DO

REMOVE OBSTACLES WITHOUT MOVING THEM.

Equipped with the same proven load-sensing open-center hydraulic system as our other excavators, the pinpoint metering of the 75G and 85G delivers smooth-as-silk control. Together with their reduced-tail-swing configurations, they provide the finesse and footwork to keep jobsite obstacles from becoming barriers. Two power modes, plus an available control-pattern selector, easily adapt to changing job demands and operator preferences.



Tighten up

Why let obstacles dictate the way you work? The 85G's independent-swing boom lets you get in tight and even dig parallel to structures.

When the rubber meets the road

Optional rubber track pads or heavy-duty rubber belts let these excavators set up and work on paved surfaces and even cross curbs without doing damage.

Precision matters

For work that requires extra finesse, short-throw low-effort controls, exceptional metering, and smooth multifunction operation give the precision you need.

Shift into gear

Two-speed propel with AutoShift helps speed machine moves and maximize maneuverability.

Modes of operation

Engine performance and hydraulic flow are optimally balanced for predictable operation. Two productivity modes allow you to choose the digging style that fits the job. **Power** delivers a balance of speed and fuel economy for normal operation. **Economy** reduces top speed and helps save fuel.



QUIET COMFORT *PUT MORE PRODUCTIVITY ON SPEED DIAL.*

In the 75G and 85G, it's easy for operators to "dial things up." The refined monitor employs a rotary control to quickly tap into an abundance of performance and convenience functions and features. Operators will also appreciate the comfortable fabric-covered adjustable suspension seat and ample legroom in the spacious, well-appointed cab. Expansive all-around visibility, low-effort joysticks, a highly efficient HVAC system, and numerous other amenities offer what your operators need to focus on their work.



See clearly now

Wide expanse of front and side glass, narrow front cab posts, large tinted overhead hatch, and numerous mirrors enable all-around visibility.

Take control

Standard lockable control-pattern selector valve allows operators to switch from backhoe- to SAE-style controls with just a twist of the wrist.

At your fingertips

Ergonomically correct short-throw joysticks provide smooth, predictable fingertip control with less movement or effort.

Whatever the weather

Automatic, high-velocity bi-level climate-control system with automotive-style adjustable louvers helps keep the glass clear and the cab comfortable.

In the know

Multi-language LCD monitor and rotary dial provide intuitive access to a wealth of information and functions. Just turn and tap to select work mode, access operating info, check maintenance intervals, source diagnostic codes, adjust cab temperature, and tune the radio.

Keep it down

Spacious cab is noticeably quiet. Silicone-filled mounts effectively isolate noise and vibration.

Light things up

Standard boom/frame lights illuminate the way, to extend your day beyond daylight hours.

Have a seat

We've got your back with sculpted mechanical-suspension multi-position mid- and high-back seats.



**AUTO
BI-LEVEL**
CLIMATE-CONTROL
SYSTEM



PROVEN PERFORMERS

TAKE IT ON.

Just like you, our 75G and 85G Excavators don't quit. These dependable workers deliver rugged reliability, with job-proven digging structures and hydraulic, electrical, and undercarriage components. Highly efficient cooling systems keep things running cool, even in high altitudes or harsh environments. Other durability-enhancing "extras" include tungsten-carbide-coated wear surfaces and oil-impregnated bushings. When you know how they're built, you'll see how tough they are.

Stress management

A John Deere feature, three welded bulkheads within the boom resist torsional stress.

Rugged reinforcement

Rigid, reinforced D-channel side frames resist impacts, maximizing cab and component protection.

Coat of arms

Tungsten-carbide coating creates an extremely wear-resistant surface to protect the all-important bucket-to-arm joint.

Tough enough

Box-section track frames, thick-plate single-sheet mainframe, and large swing bearing deliver rock-solid durability. Strong shields deflect material and impacts, protecting the blade cylinder and propel motors.

Fan appeal

Viscous fan continuously adjusts speed as necessary for effective cooling. Helps reduce noise and fuel consumption, too.

Wrap it up

Wear-resistant hoses are routed, secured, and guarded for exceptional durability. Cordura® covering and wire wrapping adds an extra degree of protection to exposed hoses. O-ring face-seal couplers virtually eliminate leaks.

Underneath it all

Large idlers, rollers, and strutted links in the sealed and lubricated undercarriage deliver reliable performance. Optional heavy-duty rubber track pads provide the long-term durability of a steel undercarriage, yet are easy on hard surfaces such as asphalt or concrete.



**DURABLE
D-CHANNEL
SIDE FRAMES**





DEERE

75G

BUILT FOR WHAT YOU DO
AND THEN SOME.

CUT MAINTENANCE TIME

AND OPERATING COSTS, TOO.

Go for a spin

Vertical spin-on fuel filter and water separator are conveniently located in the right rear compartment for quick, convenient ground-level service access.

It's all right there

Large hinged doors enable easy access to service items. Left rear compartment houses the battery, engine air filter, fresh-air cab filter, and side-by-side coolers.

Service simplified

Sight gauges and see-through reservoirs allow hydraulic, coolant, and window-washer fluid-level checks at a glance. Lube banks, filters, and service points are grouped for added convenience.

Extended intervals

Large fuel tank and 500- and 5,000-hour engine and hydraulic oil-service intervals decrease downtime for routine maintenance. Oil-impregnated bushings enhance durability and extend grease intervals to 500 hours for the arm-and-boom joint and 100 hours for the bucket joint.



Reliable engine technology

The EPA Final Tier 4 (FT4)/EU Stage IV technology in these excavators is simple, fuel efficient, fully integrated, and fully supported. It employs field-proven cooled exhaust gas recirculation (EGR) for reducing NO_x, and a diesel particulate filter (DPF) and diesel oxidation catalyst (DOC) to reduce particulate matter (PM). DPF cleaning happens automatically without impacting machine productivity. Minimum service interval is 3,000 hours and can be done by your John Deere dealer.





75G SPECIFICATIONS

Engine		75G	
Manufacturer and Model	Yanmar 4TNV98C		
Non-Road Emission Standard	EPA Final Tier 4/EU Stage IV		
Net Power (ISO 9249)	42.4 kW (56.9 hp) at 2,000 rpm		
Cylinders	4		
Displacement	3.3 L (202 cu. in.)		
Aspiration	Natural		
Off-Level Capacity	70% (35 deg.)		
Cooling		Variable-speed fan; viscous clutch	
Powertrain		2-speed propel with automatic shift	
Maximum Travel Speed			
Low	3.1 km/h (1.9 mph)		
High	5.0 km/h (3.1 mph)		
Drawbar Pull	6650 kgf (14,661 lb.)		
Hydraulics		Open center, load sensing	
Main Pumps		3 variable-displacement axial-piston pumps	
Maximum Pump Flow	2 x 72 + 56 L/m (2 x 19 + 15 gpm)		
Pilot Pump		1 gear	
Maximum Rated Flow	20 L/m (5.3 gpm)		
System Relief Pressure	3900 kPa (566 psi)		
System Operating Pressure			
Implement Circuits	26 000 kPa (3,771 psi)		
Travel Circuits	31 400 kPa (4,554 psi)		
Swing Circuits	25 200 kPa (3,655 psi)		
Controls	Pilot levers, short stroke, low effort; hydraulic pilot controls with shutoff lever		
Cylinders		Heat-treated, chrome-plated, polished cylinder rods; hardened steel (replaceable bushings) pivot pins	
	<i>Bore</i>	<i>Rod Diameter</i>	<i>Stroke</i>
Boom (1)	115 mm (4.5 in.)	65 mm (2.6 in.)	885 mm (34.8 in.)
Arm (1)	95 mm (3.7 in.)	60 mm (2.4 in.)	900 mm (35.4 in.)
Bucket (1)	85 mm (3.3 in.)	55 mm (2.2 in.)	730 mm (28.7 in.)
Electrical			
Batteries	2 x 12 volt		
Battery Capacity	2 x 450 CCA		
Alternator Rating	50 amp		
Work Lights	2 halogen: 1 mounted on boom and 1 mounted on frame		
Undercarriage			
Rollers (each side)			
Carrier	1		
Track	5		
Shoes (each side)	40		
Track			
Adjustment	Hydraulic		
Chain	Sealed and lubricated		
Swing Mechanism			
Swing Speed	10.5 rpm		
Swing Torque	16 600 Nm (12,244 lb.-ft.)		

75G SPECIFICATIONS



Ground Pressure		75G
450-mm (18 in.) Rubber Crawler Pads		39 kPa (5.6 psi)
450-mm (18 in.) Continuous Rubber Belt		39 kPa (5.6 psi)
450-mm (18 in.) Triple Semi-Grouser Shoes		38 kPa (5.4 psi)
600-mm (24 in.) Triple Semi-Grouser Shoes		27 kPa (3.9 psi)

Serviceability

Refill Capacities

Fuel Tank	135 L (35.7 gal.)
Cooling System	9.7 L (2.6 gal.)
Engine Oil with Filter	12.3 L (3.2 gal.)
Hydraulic Tank	56 L (15 gal.)
Hydraulic System	103 L (27 gal.)
Propel Gearbox (each)	1.2 L (1.3 qt.)

Operating Weights

With 0.31-m³ (0.41 cu. yd.), 762-mm (30 in.), 313-kg (691 lb.) Bucket; 2.12-m (6 ft. 11 in.) Arm; 1305-kg (2,877 lb.) Counterweight; 2470-mm (8 ft. 1 in.) Blade; Full Fuel Tank; and 75-kg (165 lb.) Operator

450-mm (18 in.) Rubber Crawler Pads	8143 kg (17,952 lb.)
450-mm (18 in.) Triple Semi-Grouser Shoes	7882 kg (17,377 lb.)
600-mm (24 in.) Triple Semi-Grouser Shoes	8265 kg (18,221 lb.)
450-mm (18 in.) Continuous Rubber Belt	7898 kg (17,412 lb.)

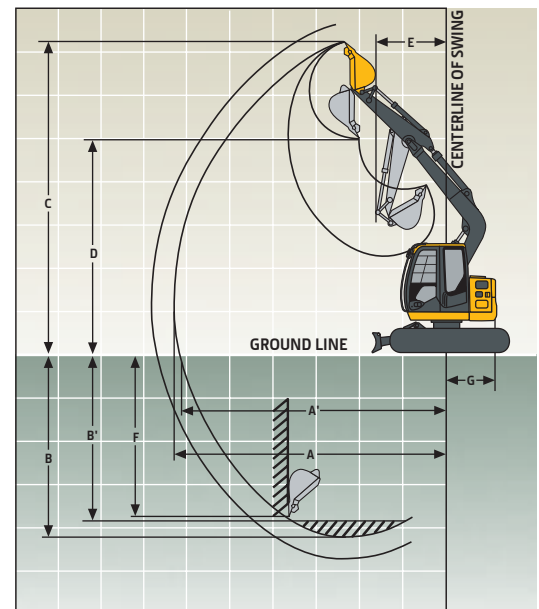
Optional Components

Undercarriage (with the following)

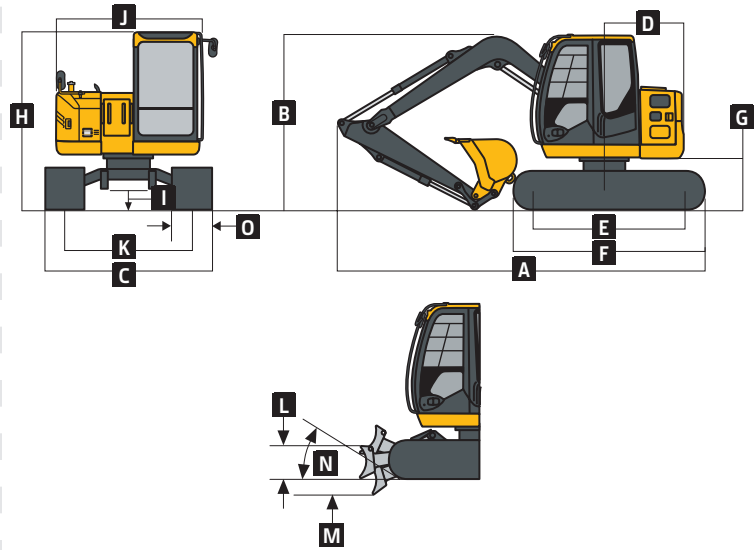
450-mm (18 in.) Rubber Crawler Pads	2903 kg (6,400 lb.)
450-mm (18 in.) Continuous Rubber Belt	2867 kg (6,321 lb.)
450-mm (18 in.) Triple Semi-Grouser Shoes	2851 kg (6,285 lb.)
600-mm (24 in.) Triple Semi-Grouser Shoes	3025 kg (6,669 lb.)
1-Piece Boom (with arm cylinder)	497 kg (1,096 lb.)
2.12-m (6 ft. 11 in.) Arm with Bucket Cylinder and Linkage	276 kg (608 lb.)
Boom Lift Cylinders (2), Total Weight	178 kg (392 lb.)
Counterweight, Standard	1305 kg (2,877 lb.)

Operating Dimensions

	Arm Length 2.12 m (6 ft. 11 in.)
Arm Digging Force (ISO)	30.7 kN (6,902 lb.)
Bucket Digging Force (ISO)	46.6 kN (10,476 lb.)
A Maximum Reach	6.92 m (22 ft. 8 in.)
A ¹ Maximum Reach at Ground Level	6.76 m (22 ft. 2 in.)
B Maximum Digging Depth	4.61 m (15 ft. 1 in.)
B ¹ Maximum Digging Depth at 2.44-m (8 ft.) Flat Bottom	4.32 m (14 ft. 2 in.)
C Maximum Cutting Height	7.61 m (25 ft. 0 in.)
D Maximum Dumping Height	5.51 m (18 ft. 1 in.)
E Minimum Swing Radius	2.17 m (7 ft. 1 in.)
F Maximum Vertical Wall	4.22 m (13 ft. 10 in.)
G Tail Swing Radius	1.29 m (4 ft. 3 in.)



Machine Dimensions		75G
		<i>Arm Length 2.12 m (6 ft. 11 in.)</i>
A	Overall Length	6.37 m (20 ft. 11 in.)
B	Overall Height	2.69 m (8 ft. 10 in.)
C	Undercarriage Width	
	With 450-mm (18 in.) Shoes	2.32 m (7 ft. 7 in.)
	With 600-mm (24 in.) Shoes	2.47 m (8 ft. 1 in.)
D	Rear-End Length/Swing Radius	1.29 m (4 ft. 3 in.)
E	Distance Between Idler/Sprocket Centerline	2.29 m (7 ft. 6 in.)
F	Undercarriage Length	2.92 m (9 ft. 7 in.)
G	Counterweight Clearance	0.73 m (29 in.)
H	Cab Height	2.69 m (8 ft. 10 in.)
I	Ground Clearance	360 mm (14 in.)
J	Upperstructure Width	2.32 m (7 ft. 7 in.)
K	Gauge Width	1.87 m (6 ft. 2 in.)
L	Blade Lift Height	360 mm (14 in.)
	Blade Height	480 mm (19 in.)
	Blade Width	
	With 450-mm (18 in.) Shoes	2320 mm (7 ft. 7 in.)
	With 600-mm (24 in.) Shoes	2470 mm (8 ft. 1 in.)
M	Blade Cut Below Grade	300 mm (12 in.)
N	Blade Lift Angle	27 deg.
O	Track Width	
	With 450-mm (18 in.) Shoes	0.45 m (18 in.)
	With 600-mm (24 in.) Shoes	0.60 m (24 in.)



Lift Capacities

Boldface type indicates hydraulically limited capacities; lightface type indicates stability-limited capacities, in kg (lb.). Ratings are at bucket lift hook, using standard counterweight, situated on firm, level, uniform supporting surface. Total load includes weight of cables, hook, etc. Figures do not exceed 87% of hydraulic capacity or 75% of weight needed to tip machine. All lift capacities are based on ISO 10567.

LOAD POINT HEIGHT	HORIZONTAL DISTANCE FROM CENTERLINE OF ROTATION					
	1.5 m (5 ft.)		3.0 m (10 ft.)		4.5 m (15 ft.)	
	Over Front	Over Side	Over Front	Over Side	Over Front	Over Side
<i>With 3.72-m (12 ft. 8 in.) boom, 2.12-m (6 ft. 11 in.) arm, 0.28-m³ (0.37 cu. yd.) bucket, 450-mm (18 in.) rubber pads, and 2320-mm (7 ft. 9 in.) blade</i>						
4.5 m (15 ft.)					1475 (3,252)	1475 (3,252)
3.0 m (10 ft.)			1834 (4,043)	1834 (4,043)	1613 (3,557)	1613 (3,557)
1.5 m (5 ft.)			2864 (6,313)	2797 (6,167)	1958 (4,317)	1541 (3,397)
Ground Line			3508 (7,734)	2629 (5,797)	2248 (4,956)	1472 (3,246)
-1.5 m (-5 ft.)	3544 (7,813)	3544 (7,813)	3514 (7,746)	2594 (5,718)	2252 (4,964)	1451 (3,199)
-3.0 m (-10 ft.)	5020 (11,068)	5020 (11,068)	2742 (6,044)	2663 (5,870)		

Lift Capacities (continued) 75G

Boldface type indicates hydraulically limited capacities; lightface type indicates stability-limited capacities, in kg (lb.). Ratings are at bucket lift hook, using standard counterweight, situated on firm, level, uniform supporting surface. Total load includes weight of cables, hook, etc. Figures do not exceed 87% of hydraulic capacity or 75% of weight needed to tip machine. All lift capacities are based on ISO 10567.

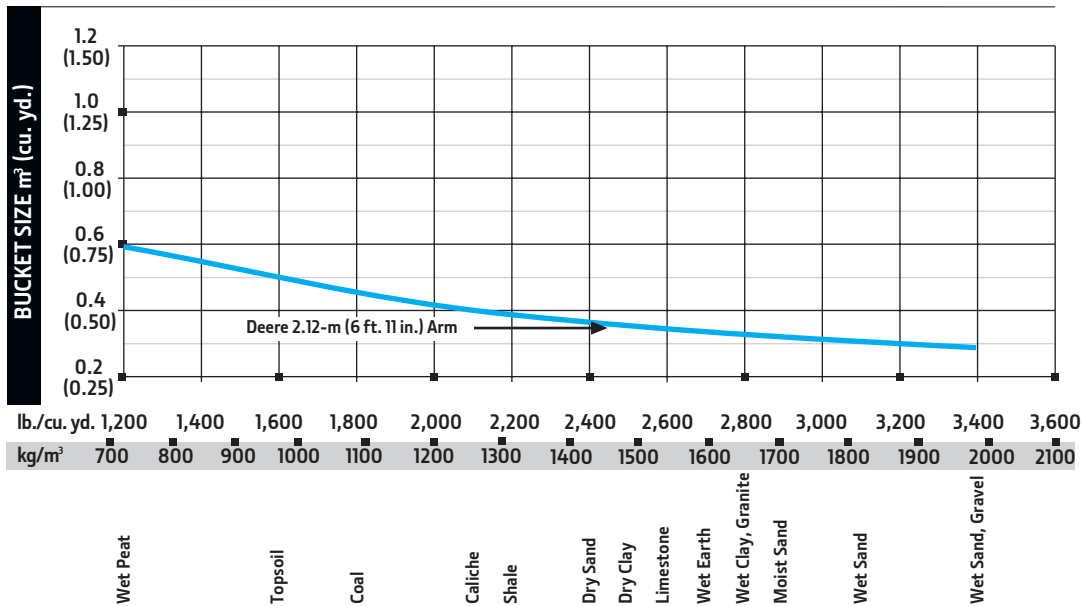
LOAD POINT HEIGHT	HORIZONTAL DISTANCE FROM CENTERLINE OF ROTATION					
	1.5 m (5 ft.)		3.0 m (10 ft.)		4.5 m (15 ft.)	
	Over Front	Over Side	Over Front	Over Side	Over Front	Over Side
<i>With 3.72-m (12 ft. 8 in.) boom, 2.12-m (6 ft. 11 in.) arm, 0.28-m³ (0.37 cu. yd.) bucket, 600-mm (24 in.) shoes, and 2470-mm (8 ft. 1 in.) blade</i>						
4.5 m (15 ft.)					1475 (3,252)	1475 (3,252)
3.0 m (10 ft.)			1834 (4,043)	1834 (4,043)	1613 (3,557)	1613 (3,557)
1.5 m (5 ft.)			2864 (6,313)	2841 (6,263)	1958 (4,317)	1566 (3,452)
Ground Line			3508 (7,734)	2673 (5,893)	2248 (4,956)	1497 (3,301)
-1.5 m (-5 ft.)	3544 (7,813)	3544 (7,813)	3514 (7,746)	2637 (5,814)	2252 (4,964)	1476 (3,254)
-3.0 m (-10 ft.)	5020 (11,068)	5020 (11,068)	2742 (6,044)	2707 (5,967)		

Buckets

A full line of buckets is offered to meet a wide variety of applications. Replaceable cutting edges are available through John Deere Parts. Optional side cutters add 150 mm (6 in.) to bucket widths.

Type Bucket	Bucket Width		Bucket Capacity		Bucket Weight		Bucket Dig Force (ISO)		Arm Dig Force (ISO)		Bucket Tip Radius		Number of Teeth
	mm	in.	m ³	cu. yd.	kg	lb.	kN	lb.	kN	lb.	mm	in.	
Heavy Duty	610	24	0.24	0.31	268	591	44	9,892	29	6,524	883	34.76	5
	762	30	0.31	0.41	313	691	44	9,892	29	6,524	883	34.76	6
	914	36	0.39	0.51	358	790	44	9,892	29	6,524	883	34.76	7
Ditching	1219	48	0.49	0.64	330	727	64	14,344	33	7,473	907	35.69	0

Bucket Selection Guide*



*Contact your John Deere dealer for optimum bucket and attachment selections. These recommendations are for general conditions and average use. Does not include optional equipment such as thumbs or couplers. Larger buckets may be possible when using light materials, for flat and level operations, less compacted materials, and volume loading applications such as mass-excavation applications in ideal conditions. Smaller buckets are recommended for adverse conditions such as off-level applications, rocks, and uneven surfaces. Bucket capacity indicated is SAE heaped.



85G SPECIFICATIONS

Engine		85G	
Manufacturer and Model	Yanmar 4TNV98C-WHBW		
Non-Road Emission Standard	EPA Final Tier 4/EU Stage IV		
Net Power (ISO 9249)	42.4 kW (56.9 hp) at 2,000 rpm		
Cylinders	4		
Displacement	3.3 L (202 cu. in.)		
Aspiration	Natural		
Off-Level Capacity	70% (35 deg.)		
Cooling		Variable-speed fan; viscous clutch	
Powertrain		2-speed propel with automatic shift	
Maximum Travel Speed			
Low	3.1 km/h (1.9 mph)		
High	5.0 km/h (3.1 mph)		
Drawbar Pull	6650 kgf (14,661 lb.)		
Hydraulics		Open center, load sensing	
Main Pumps		3 variable-displacement axial-piston pumps	
Maximum Pump Flow	2 x 72 + 56 L/m (2 x 19 + 15 gpm)		
Pilot Pump		1 gear	
Maximum Rated Flow	20 L/m (5.3 gpm)		
System Relief Pressure	3900 kPa (566 psi)		
System Operating Pressure			
Implement Circuits	26 000 kPa (3,771 psi)		
Travel Circuits	31 400 kPa (4,554 psi)		
Swing Circuits	25 000 kPa (3,626 psi)		
Controls	Pilot levers, short stroke, low effort; hydraulic pilot controls with shutoff lever		
Cylinders		Heat-treated, chrome-plated, polished cylinder rods; hardened steel (replaceable bushings) pivot pins	
	<i>Bore</i>	<i>Rod Diameter</i>	<i>Stroke</i>
Boom (1)	115 mm (4.5 in.)	65 mm (2.6 in.)	885 mm (34.8 in.)
Arm (1)	95 mm (3.7 in.)	60 mm (2.4 in.)	900 mm (35.4 in.)
Bucket (1)	85 mm (3.3 in.)	55 mm (2.2 in.)	730 mm (28.7 in.)
Electrical		Batteries 2 x 12 volt	
Battery Capacity	2 x 450 CCA		
Alternator Rating	50 amp		
Work Lights	2 halogen: 1 mounted on boom and 1 mounted on frame		
Undercarriage			
Rollers (each side)			
Carrier	1		
Track	5		
Shoes (each side)	40		
Track			
Adjustment	Hydraulic		
Chain	Sealed and lubricated		
Swing Mechanism			
Swing Speed	10.5 rpm		
Swing Torque	16 600 Nm (12,244 lb.-ft.)		
Boom Swing			
Left	60 deg.		
Right	60 deg.		

85G SPECIFICATIONS



Ground Pressure		85G
450-mm (18 in.) Rubber Crawler Pads		41.5 kPa (6.0 psi)
450-mm (18 in.) Continuous Rubber Belt		41.4 kPa (6.0 psi)
450-mm (18 in.) Triple Semi-Grouser Shoes		41.3 kPa (6.0 psi)
600-mm (24 in.) Triple Semi-Grouser Shoes		31.7 kPa (4.6 psi)

Serviceability

Refill Capacities	
Fuel Tank	120 L (31.7 gal.)
Cooling System	9.7 L (2.6 gal.)
Engine Oil with Filter	12.3 L (3.2 gal.)
Hydraulic Tank	56 L (15 gal.)
Hydraulic System	103 L (27 gal.)
Propel Gearbox (each)	1.2 L (1.3 qt.)

Operating Weights

With 0.31-m³ (0.41 cu. yd.), 762-mm (30 in.), 313-kg (691 lb.) Bucket; 2.12-m (6 ft. 11 in.) Arm; 1408-kg (3,104 lb.) Counterweight; Full Fuel Tank; and 75-kg (165 lb.) Operator

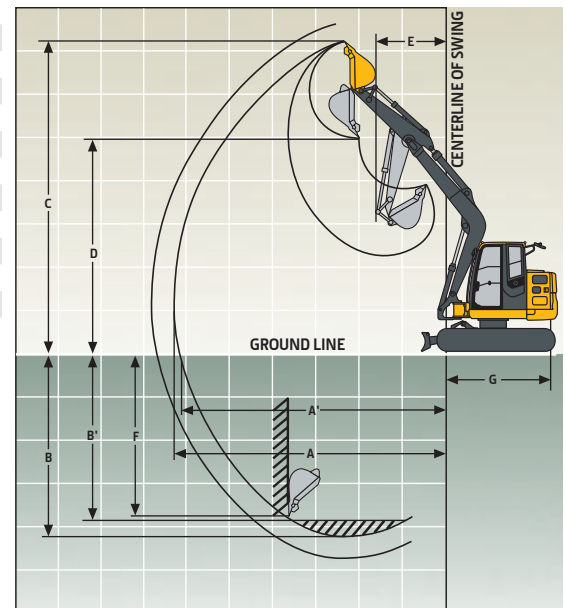
2220-mm (7 ft. 3 in.) Blade and 450-mm (18 in.) Rubber Crawler Pads	8729 kg (19,244 lb.)
2220-mm (7 ft. 3 in.) Blade and 450-mm (18 in.) Triple Semi-Grouser Shoes	8677 kg (19,130 lb.)
2470-mm (8 ft. 1 in.) blade and 600-mm (24 in.) Triple Semi-Grouser Shoes	8874 kg (19,564 lb.)
2220-mm (7 ft. 3 in.) Blade and 450-mm (18 in.) Continuous Rubber Belt	8701 kg (19,182 lb.)

Optional Components

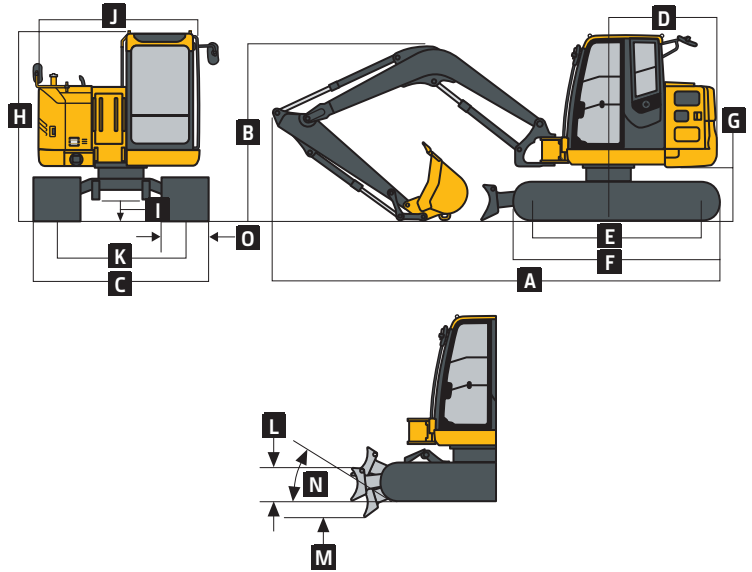
Undercarriage (with the following)	
450-mm (18 in.) Rubber Crawler Pads	2871 kg (6,329 lb.)
450-mm (18 in.) Continuous Rubber Belt	2843 kg (6,268 lb.)
450-mm (18 in.) Triple Semi-Grouser Shoes	2819 kg (6,215 lb.)
600-mm (24 in.) Triple Semi-Grouser Shoes	2970 kg (6,548 lb.)
1-Piece Boom (with arm cylinder)	491 kg (1,082 lb.)
2.12-m (6 ft. 11 in.) Arm with Bucket Cylinder and Linkage	275 kg (606 lb.)
Boom Lift Cylinder	89 kg (196 lb.)
0.49-m ³ (0.64 cu. yd.), 1219-mm (48 in.) Ditching Bucket	330 kg (728 lb.)
Counterweight (standard)	1408 kg (3,104 lb.)

Operating Dimensions

	Arm Length 2.12 m (6 ft. 11 in.)
Arm Digging Force (ISO)	30.7 kN (6,902 lb.)
Bucket Digging Force (ISO)	46.6 kN (10,476 lb.)
A Maximum Reach	7.70 m (25 ft. 3 in.)
A' Maximum Reach at Ground Level	7.55 m (24 ft. 9 in.)
B Maximum Digging Depth	4.51 m (14 ft. 10 in.)
B' Maximum Digging Depth at 2.44-m (8 ft.) Flat Bottom	4.20 m (13 ft. 9 in.)
C Maximum Cutting Height	7.14 m (23 ft. 5 in.)
D Maximum Dumping Height	5.08 m (16 ft. 8 in.)
E Minimum Swing Radius	2.89 m (9 ft. 6 in.)
F Maximum Vertical Wall	4.05 m (13 ft. 3 in.)
G Tail Swing Radius	1.49 m (4 ft. 11 in.)



Machine Dimensions		85G
		<i>Arm Length 2.12 m (6 ft. 11 in.)</i>
A	Overall Length	6.82 m (22 ft. 5 in.)
B	Overall Height with 450-mm (18 in.) Rubber Crawler Pads	2.61 m (8 ft. 7 in.)
C	Undercarriage Width	
	With 450-mm (18 in.) Shoes	2.20 m (7 ft. 3 in.)
	With 600-mm (24 in.) Shoes	2.35 m (7 ft. 9 in.)
D	Rear-End Length/Swing Radius	1.49 m (4 ft. 11 in.)
E	Distance Between Idler/Sprocket Centerline	2.29 m (7 ft. 6 in.)
F	Undercarriage Length	2.92 m (9 ft. 7 in.)
G	Counterweight Clearance	0.72 m (28 in.)
H	Cab Height	2.53 m (8 ft. 4 in.)
I	Ground Clearance	360 mm (14 in.)
J	Upperstructure Width	2.32 m (7 ft. 7 in.)
K	Gauge Width	1.75 m (5 ft. 9 in.)
L	Blade Lift Height	340 mm (13 in.)
	Blade Height	460 mm (18 in.)
	Blade Width	
	With 450-mm (18 in.) Shoes	2200 mm (7 ft. 3 in.)
	With 600-mm (24 in.) Shoes	2350 mm (7 ft. 9 in.)
M	Blade Cut Below Grade	320 mm (13 in.)
N	Blade Lift Angle	26 deg.
O	Track Width	
	With 450-mm (18 in.) Shoes	0.45 m (18 in.)
	With 600-mm (24 in.) Shoes	0.60 m (24 in.)



Lift Capacities

Boldface type indicates hydraulically limited capacities; lightface type indicates stability-limited capacities, in kg (lb.). Ratings are at bucket lift hook, using standard counterweight, situated on firm, level, uniform supporting surface. Total load includes weight of cables, hook, etc. Figures do not exceed 87% of hydraulic capacity or 75% of weight needed to tip machine. All lift capacities are based on ISO 10567.

LOAD POINT HEIGHT	HORIZONTAL DISTANCE FROM CENTERLINE OF ROTATION							
	1.5 m (5 ft.)		3.0 m (10 ft.)		4.5 m (15 ft.)		6.0 m (20 ft.)	
	Over Front	Over Side	Over Front	Over Side	Over Front	Over Side	Over Front	Over Side
<i>With 3.67-m (12 ft. 2 in.) boom, 2.12-m (6 ft. 11 in.) arm, 0.28-m³ (0.37 cu. yd.) bucket, 450-mm (18 in.) rubber pads, and 2200-mm (7 ft. 3 in.) blade</i>								
4.5 m (15 ft.)					1735 (3,825)	1656 (3,651)		
3.0 m (10 ft.)					2044 (4,506)	1597 (3,521)	1809 (3,988)	1022 (2,253)
1.5 m (5 ft.)					2619 (5,773)	1488 (3,280)	1968 (4,339)	986 (2,174)
Ground Line			2577 (5,682)	2445 (5,391)	2992 (6,597)	1403 (3,092)	2069 (4,561)	952 (2,098)
-1.5 m (-5 ft.)	2683 (5,914)	2683 (5,914)	4770 (10,516)	2448 (5,397)	2868 (6,322)	1377 (3,036)		
-3.0 m (-10 ft.)			3130 (7,012)	3130 (5,560)				
<i>With 3.67-m (12 ft. 2 in.) boom, 2.12-m (6 ft. 11 in.) arm, 0.28-m³ (0.37 cu. yd.) bucket, 600-mm (24 in.) shoes, and 2470-mm (8 ft. 1 in.) blade</i>								
4.5 m (15 ft.)					1735 (3,825)	1679 (3,702)		
3.0 m (10 ft.)					2044 (4,506)	1620 (3,572)	1809 (3,988)	1038 (2,289)
1.5 m (5 ft.)					2619 (5,773)	1511 (3,332)	1968 (4,339)	1002 (2,210)
Ground Line			2577 (5,682)	2485 (5,479)	2992 (6,597)	1426 (3,143)	2069 (4,561)	968 (2,134)
-1.5 m (-5 ft.)	2683 (5,914)	2683 (5,914)	4770 (10,516)	2488 (5,485)	2868 (6,322)	1400 (3,087)		
-3.0 m (-10 ft.)			3130 (7,012)	3130 (5,647)				

Lift Capacities (continued) 85G

Boldface type indicates hydraulically limited capacities; lightface type indicates stability-limited capacities, in kg (lb.). Ratings are at bucket lift hook, using standard counterweight, situated on firm, level, uniform supporting surface. Total load includes weight of cables, hook, etc. Figures do not exceed 87% of hydraulic capacity or 75% of weight needed to tip machine. All lift capacities are based on ISO 10567.

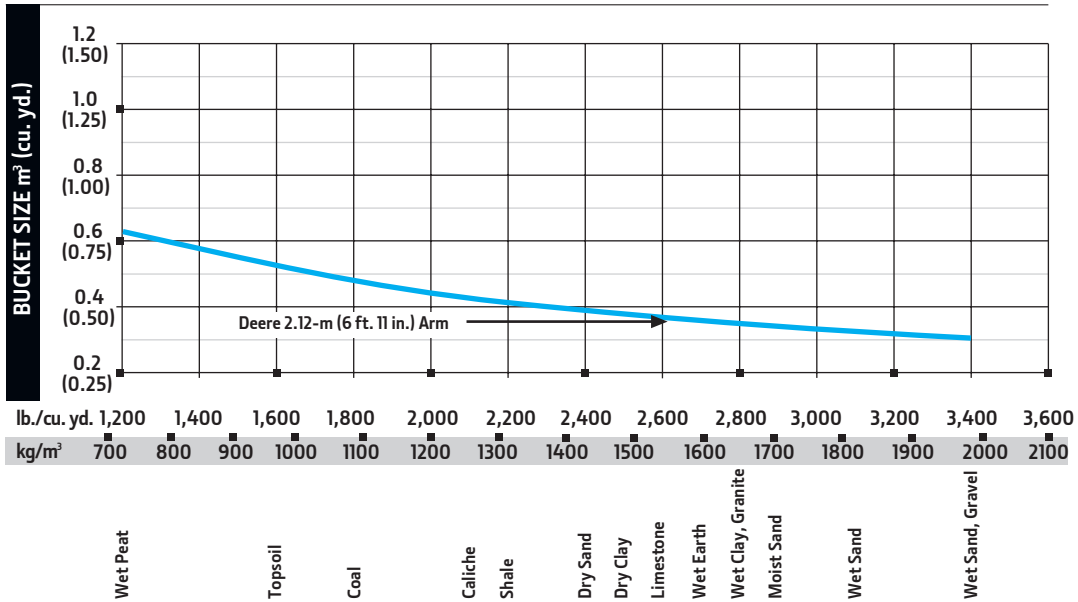
LOAD POINT HEIGHT	HORIZONTAL DISTANCE FROM CENTERLINE OF ROTATION								
	1.5 m (5 ft.)		3.0 m (10 ft.)		4.5 m (15 ft.)		6.0 m (20 ft.)		
	Over Front	Over Side	Over Front	Over Side	Over Front	Over Side	Over Front	Over Side	
<i>With 3.67-m (12 ft. 2 in.) boom, 2.12-m (6 ft. 11 in.) arm, less bucket, 450-mm (18 in.) continuous rubber belt, and 2200-mm (7 ft. 3 in.) blade</i>									
4.5 m (15 ft.)					1728 (3,810)		1579 (3,480)		
3.0 m (10 ft.)					2050 (4,520)		1520 (3,350)	1805 (3,980)	971 (2,140)
1.5 m (5 ft.)					2626 (5,790)		1411 (3,110)	1969 (4,340)	934 (2,060)
Ground Line			2595 (5,720)	2309 (5,090)	2994 (6,600)		1329 (2,930)	2068 (4,560)	903 (1,990)
-1.5 m (-5 ft.)	2708 (5,970)	2708 (5,970)	4758 (10,490)	2309 (5,090)	2862 (6,310)		1306 (2,880)		
-3.0 m (-10 ft.)			3139 (6,920)	2386 (5,260)					

Buckets

A full line of buckets is offered to meet a wide variety of applications. Replaceable cutting edges are available through John Deere Parts. Optional side cutters add 150 mm (6 in.) to bucket widths.

Type Bucket	Bucket Width		Bucket Capacity		Bucket Weight		Bucket Dig Force (ISO)		Arm Dig Force (ISO)		Bucket Tip Radius		Number of Teeth
	mm	in.	m ³	cu. yd.	kg	lb.	kN	lb.	kN	lb.	mm	in.	
Heavy Duty	610	24	0.31	0.40	287	633	54	12,061	32	7,162	1087	42.80	5
	762	30	0.41	0.53	333	735	54	12,061	32	7,162	1087	42.80	6
	914	36	0.50	0.66	380	837	54	12,061	32	7,162	1087	42.80	7
Ditching	1219	48	0.49	0.64	330	727	64	14,344	33	7,473	907	35.69	0

Bucket Selection Guide*



*Contact your John Deere dealer for optimum bucket and attachment selections. These recommendations are for general conditions and average use. Does not include optional equipment such as thumbs or couplers. Larger buckets may be possible when using light materials, for flat and level operations, less compacted materials, and volume loading applications such as mass-excavation applications in ideal conditions. Smaller buckets are recommended for adverse conditions such as off-level applications, rocks, and uneven surfaces. Bucket capacity indicated is SAE heaped.

Additional equipment

Key: ● Standard ▲ Optional or special

See your John Deere dealer for further information.

75G	85G	Engine
●	●	Auto-idle system
●	●	Batteries (2 – 12 volt)
●	●	Coolant recovery tank
●	●	Single-element air filter
●	●	Electronic engine control
●	●	Enclosed fan guard (conforms to SAE J1308)
●	●	Engine coolant to –37 deg. C (–34 deg. F)
●	●	Fuel filter with water separator
●	●	Full-flow oil filter
●	●	Radiator and oil cooler with dust-protective net
●	●	Glow-plug start aid
●	●	500-hour engine oil-change interval
●	●	70% (35 deg.) off-level capacity
●	●	Isolation mounted
		Hydraulic System
●	●	Reduced-drift valve for boom down, arm in
●	●	Auxiliary hydraulic valve section
●	●	Spring-applied, hydraulically released automatic swing brake
●	●	Auxiliary hydraulic-flow adjustments through monitor
●	●	5,000-hour hydraulic oil-change interval
●	●	Auxiliary hydraulics
●	●	Control pattern-change valve
▲	▲	Hydraulic filter restriction indicator kit
▲	▲	Load-lowering control device
▲	▲	Single-pedal propel control
		Undercarriage
●	●	Planetary drive with axial piston motors
●	●	Propel motor shields
●	●	Spring-applied, hydraulically released automatic propel brake
●	●	2-speed propel with automatic shift
●	●	Upper carrier roller (1)
●	●	Sealed and lubricated track chain
●	●	Undercarriage with blade
▲	▲	Triple semi-grouser shoes, 450 mm (18 in.)
▲	▲	Triple semi-grouser shoes, 600 mm (24 in.)

75G	85G	Undercarriage (continued)
▲	▲	Rubber crawler pads, 450 mm (18 in.)
▲	▲	Rubber belt, continuous, 450 mm (18 in.)
		Upperstructure
●	●	Counterweight, 1305 kg (2,877 lb.)
●	●	Counterweight, 1408 kg (3,104 lb.)
●	●	Right- and left-hand mirrors
●	●	Vandal locks with ignition key: Cab door / Engine hood / Fuel cap / Service doors
●	●	Remote-mounted fuel filters
		Front Attachments
●	●	Centralized lubrication system
●	●	Dirt seals on all bucket pins
●	●	Oil-impregnated bushings
●	●	Reinforced resin thrust plates
●	●	Tungsten carbide thermal coating on arm-to-bucket joint
●	●	Arm, 2.12 m (6 ft. 11 in.)
▲	▲	Attachment quick-couplers
▲	▲	Buckets: Ditching / Heavy duty / Heavy-duty high capacity / Side cutters and teeth
		Operator's Station
●	●	Meets ISO 12117-2 for ROPS
●	●	Adjustable independent control positions (seat-to-pedals)
●	●	AM/FM radio
●	●	Auto climate control/air conditioner with heater and pressurizer
●	●	Built-in operator's manual storage compartment and manual
●	●	Cell-phone power outlet, 12 volt, 60 watt, 5 amp
●	●	Coat hook
●	●	Deluxe cloth suspension seat with adjustable armrests
●	●	Floor mat
●	●	Front windshield wiper with intermittent speeds
●	●	Gauges (illuminated): Engine coolant / Fuel
●	●	Horn, electric
●	●	Hour meter, electric
●	●	Hydraulic shutoff lever, all controls

75G	85G	Operator's Station (continued)
●	●	Hydraulic warm-up control
●	●	Interior light
●	●	Large cup holder
●	●	Machine Information Center (MIC)
●	●	Mode selectors (illuminated): Power modes (2) / Travel modes (2 with automatic shift) / Work mode (1)
●	●	Multifunction, color LCD monitor with: Diagnostic capability / Multiple-language capabilities / Maintenance tracking / Clock / System monitoring with alarm features: Auto-idle indicator, engine air cleaner restriction indicator light, engine check, engine coolant temperature indicator light with audible alarm, engine oil pressure indicator light with audible alarm, low-alternator-charge indicator light, low-fuel indicator light, fault-code alert indicator, fuel-rate display, wiper-mode indicator, work-lights-on indicator, and work-mode indicator
●	●	Motion alarm with cancel switch (conforms to SAE J994)
●	●	Auxiliary hydraulic control switches in right console lever
●	●	SAE 2-lever control pattern
●	●	Seat belt, 51 mm (2 in.), retractable
●	●	Tinted glass
●	●	Transparent tinted overhead hatch
●	●	Transparent tinted overhead window
●	●	Hot/cold beverage compartment
▲	▲	Seat belt, 76 mm (3 in.), non-retractable
▲	▲	Protection screens for cab front, rear, and side
▲	▲	Window vandal-protection covers
		Electrical
●	●	50-amp alternator
●	●	Blade-type multi-fused circuits
●	●	Positive-terminal battery covers
		Lights
●	●	Work lights: Halogen / 1 mounted on boom / 1 mounted on frame

Net engine power is with standard equipment including air cleaner, exhaust system, alternator, and cooling fan at test conditions specified per ISO 9249. No derating is required up to 3050-m (10,000 ft.) altitude. Specifications and design subject to change without notice. Wherever applicable, specifications are in accordance with SAE standards. Except where otherwise noted, these specifications are based on units with standard equipment; 0.31-m³ (0.41 cu. yd.), 762-mm (30 in.), 313-kg (691 lb.) buckets; 450-mm (18 in.) rubber crawler pad shoes; 2.12-m (6 ft. 11 in.) arms; full fuel tanks; and 75-kg (165 lb.) operators; a 75G unit with 1305-kg (2,877 lb.) counterweight; and an 85G unit with 1408-kg (3,104 lb.) counterweight.

