

# 330C LC 370C

EXCAVATORS

SPECIFICATIONS



CONSTRUCTION EQUIPMENT

## Engine

### 330C LC / 370C

Type .....	John Deere 6081H with turbocharger and air-to-air charge air cooler
Rated power .....	246 SAE net hp (183 kW) @ 2,000 rpm
Cylinders .....	6
Displacement .....	494 cu. in. (8.1 L)
Maximum net torque .....	802 lb.-ft. (1087 Nm) @ 1,600 rpm
Fuel consumption, typical .....	6 to 10 gal./hr. (23 to 38 L/h)
Cooling fan .....	suction-type drive
Electrical system .....	24 volt with 45-amp alternator
Batteries (two 12 volt) .....	reserve capacity: 180 min.
Off-level capacity .....	100% (45 deg.)

## Hydraulic System

Main pumps .....	two variable-displacement axial-piston
Minimum flow .....	2 x 21 gpm (2 x 79 L/min.)
Maximum flow .....	2 x 77 gpm (2 x 292 L/min.)
Pilot pump .....	one gear
Maximum rated flow .....	4.4 gpm (16.8 L/min.)
Pressure setting .....	580 psi (4000 kPa)
System operating pressure	
Implement circuits .....	4,550 psi (31 371 kPa)
Travel circuits .....	5,050 psi (34 820 kPa)
Swing circuits .....	4,610 psi (31 785 kPa)
Power boost .....	4,980 psi (34 300 kPa)
Oil filtration .....	one 10-micron full-flow return filter with by-pass / one pilot oil filter / one suction filter

## Cylinders

Boom (2)	
Bore .....	5.9 in. (150 mm)
Rod diameter .....	4.1 in. (105 mm)
Stroke .....	59.3 in. (1507 mm)
Arm (1)	
Bore .....	6.7 in. (170 mm)
Rod diameter .....	4.5 in. (115 mm)
Stroke .....	70.7 in. (1795 mm)
Bucket (1)	
Bore .....	5.7 in. (145 mm)
Rod diameter .....	3.7 in. (95 mm)
Stroke .....	49.2 in. (1250 mm)

## Swing Mechanism

Swing speed .....	0–11.6 rpm
Swing torque .....	75,115 lb.-ft. (101 920 Nm)

## Undercarriage

### 330C LC

### 370C

Carrier rollers (per side) .....	2	2
Track rollers (per side) .....	9	8
Shoes, triple semi-grouser (per side) .....	48	45
Track guides .....	front and center	front and center
Track adjustment .....	hydraulic	hydraulic
Travel speed		
Low .....	0–2.2 mph (0–3.6 km/h)	0–1.9 mph (0–3.0 km/h)
High .....	0–3.4 mph (0–5.5 km/h)	0–3.0 mph (0–4.9 km/h)
Drawbar pull .....	56,086 lb. (25 441 kg)	65,098 lb. (29 528 kg)

## Ground Pressure Data

Average ground pressure	
24-in. (600 mm) triple semi-grouser shoes .....	8.73 psi (60.2 kPa); recommended for rocky terrain and stumps
32-in. (800 mm) triple semi-grouser shoes .....	6.75 psi (46.5 kPa); recommended for general/soft terrain
30-in. (750 mm) triple semi-grouser shoes .....	7.95 psi (54.8 kPa)

## Capacities

### 330C LC

### 370C

Fuel tank .....	148 gal. (560 L)	148 gal. (560 L)
Cooling system .....	58 qt. (55 L)	58 qt. (55 L)
Engine lubrication, including filter .....	32 qt. (30 L)	32 qt. (30 L)
Hydraulic tank .....	42 gal. (159 L)	42 gal. (159 L)
Hydraulic system .....	85 gal. (322 L)	85 gal. (322 L)
Propel gearbox (each) .....	8 qt. (7.5 L)	9 qt. (8.5 L)
Swing drive .....	15 qt. (14 L)	15 qt. (14 L)

## Operating Weights

### 330C LC

### 370C

With full fuel tank; 175-lb. (79 kg) operator; 2.3-cu.-yd. (1.76 m <sup>3</sup> ), 54-in. (1370 mm), 2,557-lb. (1160 kg) heavy-duty bucket; and 13-ft. 1-in. (4.0 m) arm	
With 32-in. (800 mm) triple semi-grouser shoes and 15,018-lb. (6812 kg) counterweight.....	72,800 lb. (33 058 kg)
With 30-in. (750 mm) triple semi-grouser shoes and 16,670-lb. (7562 kg) counterweight.....	81,200 lb. (36 832 kg)

## Component Weights

<b>Undercarriage</b>		
24-in. (600 mm) triple semi-grouser shoes .....	24,857 lb. (11 275 kg)	
32-in. (800 mm) triple semi-grouser shoes .....	27,030 lb. (12 261 kg)	
30-in. (750 mm) triple semi-grouser shoes .....		33,785 lb. (15 325 kg)
<b>Upperstructure with full fuel tank (less front attachments and boom lift cylinders [2])</b>		
Less 15,018-lb. (6812 kg) counterweight.....	15,772 lb. (7154 kg)	
Less 16,670-lb. (7562 kg) counterweight.....		15,772 lb. (7154 kg)
<b>One-piece boom (with arm cylinder).....</b>	6,682 lb. (3031 kg)	6,682 lb. (3031 kg)
<b>Arm with bucket cylinder and linkage</b>		
8 ft. 9 in. (2.66 m) .....	3,635 lb. (1649 kg)	3,635 lb. (1649 kg)
10 ft. 6 in. (3.2 m) .....	3,876 lb. (1758 kg)	3,876 lb. (1758 kg)
13 ft. 1 in. (4.0 m) .....	4,184 lb. (1898 kg)	4,184 lb. (1898 kg)
<b>Boom lift cylinders (2) total weight .....</b>	1,248 lb. (624 kg)	1,248 lb. (624 kg)
<b>54-in. (1370 mm), 2.3-cu.-yd. (1.76 m<sup>3</sup>) heavy-duty bucket .....</b>	2,557 lb. (1160 kg)	2,557 lb. (1160 kg)
<b>Counterweight.....</b>	15,018 lb. (6812 kg)	16,670 lb. (7562 kg)

## 330C LC Operating Information

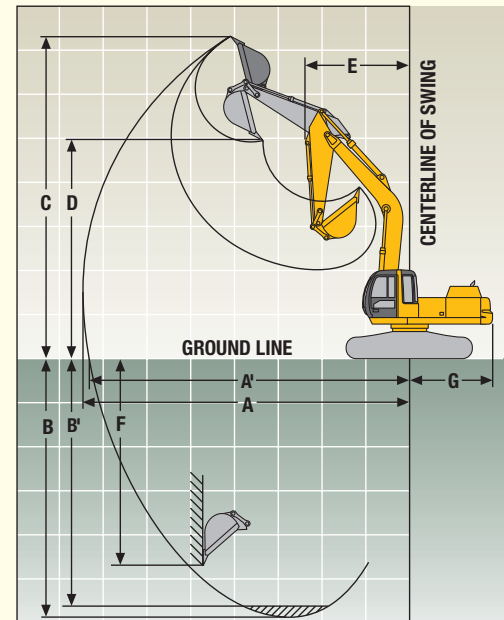
	<i>Arm Length</i> 8 ft. 9 in. (2.66 m)	<i>Arm Length</i> 10 ft. 6 in. (3.2 m)	<i>Arm Length</i> 13 ft. 1 in. (4.0 m)
Arm force with 54-in. (1370 mm) heavy-duty bucket*.....	43,000 lb. (191.3 kN)	37,396 lb. (166.3 kN)	32,136 lb. (142.9 kN)
Bucket digging force with 54-in. (1370 mm) 2.3-cu. yd. (1.76 m <sup>3</sup> ) heavy-duty bucket*.....	48,220 lb. (214.5 kN)	48,220 lb. (214.5 kN)	48,220 lb. (214.5 kN)
Lifting capacity over front @ ground level 20-ft. (6.1 m) reach* .....	26,009 lb. (11 798 kg)	26,089 lb. (11 834 kg)	26,307 lb. (11 933 kg)
<b>A</b> Maximum reach .....	34 ft. 6 in. (10.51 m)	36 ft. 3 in. (11.04 m)	38 ft. 9 in. (11.80 m)
<b>A<sup>1</sup></b> Maximum reach @ ground level.....	33 ft. 9 in. (10.30 m)	35 ft. 7 in. (10.84 m)	38 ft. 1 in. (11.60 m)
<b>B</b> Maximum digging depth.....	22 ft. 2 in. (6.77 m)	23 ft. 11 in. (7.30 m)	26 ft. 7 in. (8.10 m)
<b>B<sup>1</sup></b> Maximum digging depth @ 8-ft. (2.44 m) flat bottom.....	21 ft. 7 in. (6.57 m)	23 ft. 5 in. (7.14 m)	26 ft. 2 in. (7.97 m)
<b>C</b> Maximum cutting height.....	32 ft. 3 in. (9.83 m)	33 ft. 5 in. (10.19 m)	34 ft. 8 in. (10.58 m)
<b>D</b> Maximum dumping height.....	22 ft. 8 in. (6.91 m)	23 ft. 8 in. (7.21 m)	24 ft. 10 in. (7.58 m)
<b>E</b> Minimum swing radius.....	15 ft. 3 in. (4.65 m)	14 ft. 9 in. (4.49 m)	14 ft. 10 in. (4.52 m)
<b>F</b> Maximum vertical wall.....	18 ft. 2 in. (5.54 m)	21 ft. (6.40 m)	23 ft. 11 in. (7.29 m)
<b>G</b> Tail swing radius .....	10 ft. 10 in. (3.30 m)	10 ft. 10 in. (3.30 m)	10 ft. 11 in. (3.32 m)

\*Digging forces and lift capacities with power boost.

## 370C Operating Information

	<i>Arm Length</i> 8 ft. 9 in. (2.66 m)	<i>Arm Length</i> 10 ft. 6 in. (3.2 m)	<i>Arm Length</i> 13 ft. 1 in. (4.0 m)
Arm force with 54-in. (1370 mm) heavy-duty bucket*.....	43,000 lb. (191.3 kN)	37,396 lb. (166.3 kN)	32,136 lb. (142.9 kN)
Bucket digging force with 54-in. (1370 mm) 2.3-cu. yd. (1.76 m <sup>3</sup> ) heavy-duty bucket*.....	48,220 lb. (214.5 kN)	48,220 lb. (214.5 kN)	48,220 lb. (214.5 kN)
Lifting capacity over front @ ground level 20-ft. (6.1 m) reach* .....	28,844 lb. (13 084 kg)	28,421 lb. (12 892 kg)	27,298 lb. (12 382 kg)
<b>A</b> Maximum reach .....	34 ft. 6 in. (10.51 m)	36 ft. 3 in. (11.04 m)	38 ft. 9 in. (11.80 m)
<b>A<sup>1</sup></b> Maximum reach @ ground level.....	33 ft. 9 in. (10.27 m)	35 ft. 7 in. (10.82 m)	38 ft. 1 in. (11.60 m)
<b>B</b> Maximum digging depth.....	21 ft. 11 in. (6.67 m)	23 ft. 8 in. (7.21 m)	26 ft. 3 in. (8.00 m)
<b>B<sup>1</sup></b> Maximum digging depth @ 8-ft. (2.44 m) flat bottom.....	21 ft. 3 in. (6.48 m)	23 ft. 2 in. (7.05 m)	25 ft. 10 in. (7.89 m)
<b>C</b> Maximum cutting height.....	32 ft. 7 in. (9.93 m)	33 ft. 9 in. (10.28 m)	35 ft. (10.68 m)
<b>D</b> Maximum dumping height.....	23 ft. 7 in. (7.00 m)	23 ft. 7 in. (7.18 m)	25 ft. 2 in. (7.68 m)
<b>E</b> Minimum swing radius.....	15 ft. 3 in. (4.65 m)	14 ft. 9 in. (4.49 m)	14 ft. 10 in. (4.52 m)
<b>F</b> Maximum vertical wall.....	17 ft. 10 in. (5.44 m)	20 ft. 8 in. (6.31 m)	23 ft. 7 in. (7.19 m)
<b>G</b> Tail swing radius .....	10 ft. 10 in. (3.30 m)	10 ft. 10 in. (3.30 m)	10 ft. 11 in. (3.32 m)

\*Digging forces and lift capacities with power boost.



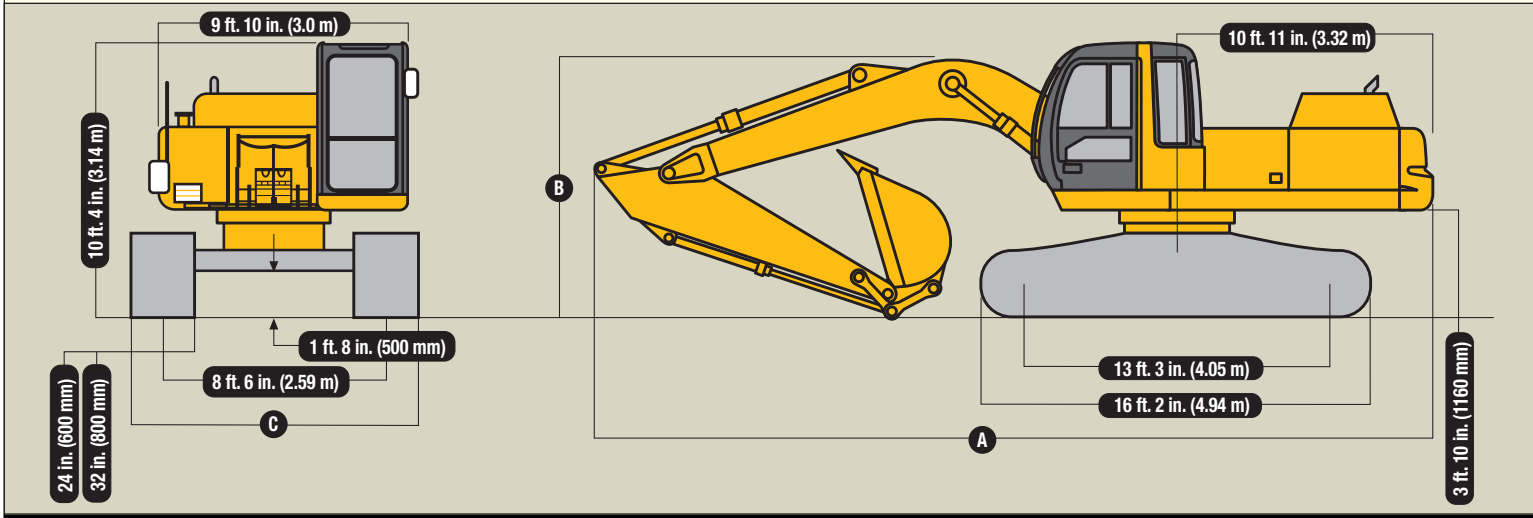
**Dimensions**

**330C LC**

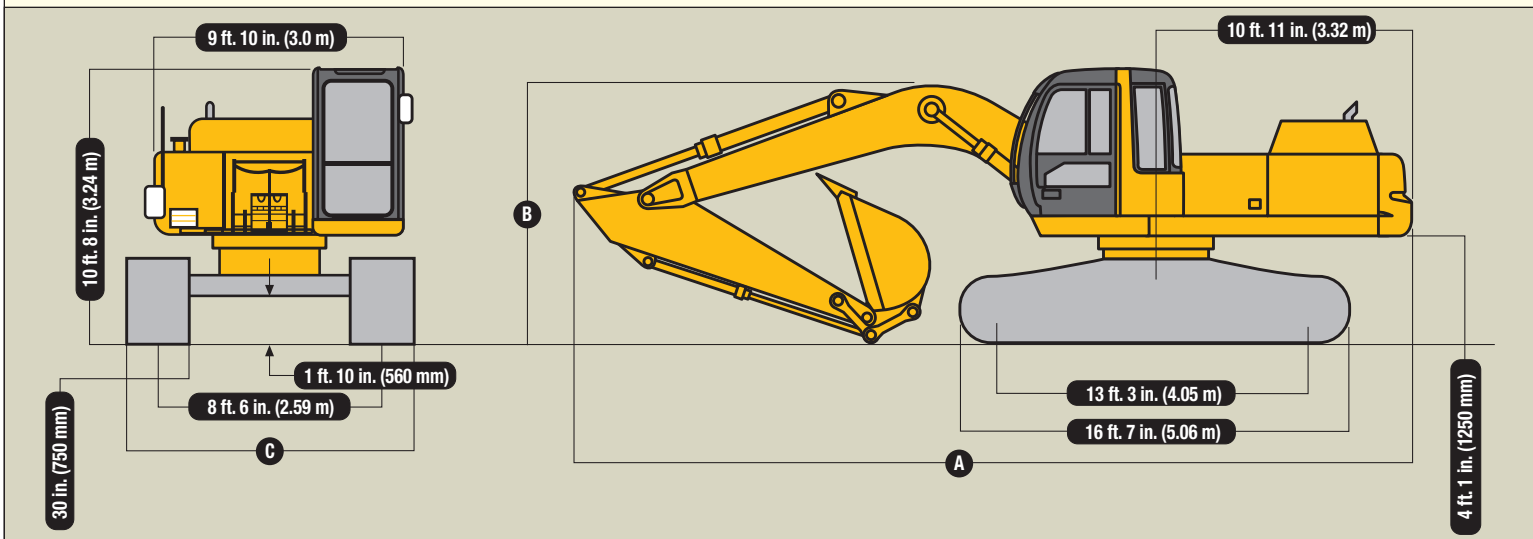
**370C**

<b>A</b>	8-ft. 9-in. (2.66 m) arm .....	36 ft. 5 in. (11.09 m)	36 ft. 5 in. (11.08 m)
	10-ft. 6-in. (3.2 m) arm .....	36 ft. (10.97 m)	36 ft. (10.97 m)
	13-ft. 1-in. (4.0 m) arm .....	36 ft. 3 in. (11.05 m)	36 ft. 3 in. (11.03 m)
<b>B</b>	8-ft. 9-in. (2.66 m) arm .....	11 ft. 5 in. (3.47 m)	11 ft. 5 in. (3.47 m)
	10-ft. 6-in. (3.2 m) arm .....	10 ft. 7 in. (3.23 m)	10 ft. 7 in. (3.23 m)
	13-ft. 1-in. (4.0 m) arm .....	11 ft. 9 in. (3.57 m)	11 ft. 6 in. (3.51 m)
<b>C</b>	With 24-in. (600 mm) semi-grouser shoes .....	10 ft. 6 in. (3.19 m)	
	With 30-in. (750 mm) semi-grouser shoes .....		11 ft. (3.34 m)
	With 32-in. (800 mm) semi-grouser shoes .....	11 ft. 2 in. (3.39 m)	

**330C LC Excavator**



**370C Excavator**



### 330C LC Lift Capacities

**Boldface italic** type indicates hydraulic-limited capacities; lightface type indicates stability-limited capacities, in lb. (kg). Ratings at bucket lift hook; machine equipped with 2.3-cu. yd. (1.76 m<sup>3</sup>) 54-in. (1370 mm) wide, 2,557-lb. (1160 kg) bucket; and situated on firm, uniform supporting surface. Total load includes weight of cables, hook, etc. Figures do not exceed 87 percent of hydraulic capacities or 75 percent of weight needed to tip machine. All lift capacities are with power boost and are based on SAE J1097.

Load Point Height	10 ft. (3.05 m)		15 ft. (4.57 m)		20 ft. (6.10 m)		25 ft. (7.62 m)		30 ft. (9.14 m)	
	Over Front	Over Side	Over Front	Over Side	Over Front	Over Side	Over Front	Over Side	Over Front	Over Side
<i>With 24-in. (600 mm) shoes and 8-ft. 9-in. (2.66 m) arm</i>										
20 ft. (6.10 m)							<b>15,903 (7214)</b>	12,553 (5694)		
15 ft. (4.57 m)					<b>19,843 (9001)</b>	17,682 (8021)	<b>17,194 (7799)</b>	12,063 (5472)	14,136 (6412)	8,506 (3858)
10 ft. (3.05 m)					<b>23,951 (10 864)</b>	16,255 (7373)	18,867 (8558)	11,377 (5161)	13,826 (6271)	8,221 (3729)
5 ft. (1.52 m)					25,927 (11 760)	15,059 (6831)	18,139 (8228)	10,724 (4864)	13,468 (6109)	7,892 (3580)
Ground Line					25,199 (11 430)	14,429 (6545)	17,636 (8000)	10,272 (4659)	13,204 (5989)	7,650 (3470)
-5 ft. (-1.52 m)			<b>23,374 (10 602)</b>	22,719 (10 305)	25,004 (11 342)	14,261 (6469)	17,429 (7906)	10,085 (4575)	13,150 (5965)	7,600 (3447)
-10 ft. (-3.05 m)	<b>34,367 (15 589)</b>	<b>34,367 (15 589)</b>	<b>21,236 (9633)</b>	<b>21,236 (9633)</b>	25,191 (11 427)	14,422 (6542)	17,549 (7960)	10,194 (4624)		
-15 ft. (-4.57 m)			<b>25,600 (11 612)</b>	23,858 (10 822)	<b>20,618 (9352)</b>	14,948 (6780)				
<i>With 24-in. (600 mm) shoes and 10-ft. 6-in. (3.2 m) arm</i>										
20 ft. (6.10 m)							<b>14,473 (6565)</b>	12,754 (5785)	<b>8,723 (3957)</b>	<b>8,723 (3957)</b>
15 ft. (4.57 m)							<b>15,945 (7233)</b>	12,230 (5547)	14,260 (6468)	8,605 (3903)
10 ft. (3.05 m)			<b>31,935 (14 486)</b>	25,772 (11 690)	<b>22,285 (10 108)</b>	16,626 (7542)	<b>18,081 (8201)</b>	11,508 (5220)	13,880 (6296)	8,256 (3745)
5 ft. (1.52 m)					<b>26,176 (11 873)</b>	15,295 (6938)	18,234 (8271)	10,791 (4895)	13,462 (6106)	7,872 (3571)
Ground Line			<b>21,194 (9614)</b>	<b>21,194 (9614)</b>	25,279 (11 466)	14,474 (6565)	17,634 (7999)	10,251 (4650)	13,126 (5954)	7,564 (3431)
-5 ft. (-1.52 m)	<b>15,603 (7077)</b>	<b>15,603 (7077)</b>	<b>20,544 (9319)</b>	<b>20,544 (9319)</b>	24,905 (11 297)	14,151 (6419)	17,321 (7857)	9,970 (4522)	12,963 (5880)	7,414 (3363)
-10 ft. (-3.05 m)	<b>25,984 (11 786)</b>	<b>25,984 (11 786)</b>	<b>26,208 (11 888)</b>	22,761 (10 324)	24,953 (11 319)	14,192 (6437)	17,316 (7854)	9,966 (4521)		
-15 ft. (-4.57 m)	<b>20,074 (9106)</b>	<b>20,074 (9106)</b>	<b>28,870 (13 095)</b>	23,371 (10 601)	<b>22,802 (10 343)</b>	14,572 (6610)	<b>16,970 (7698)</b>	10,328 (4685)		
<i>With 24-in. (600 mm) shoes and 13-ft. 1-in. (4.0 m) arm</i>										
20 ft. (6.10 m)									<b>11,403 (5172)</b>	9,071 (4115)
15 ft. (4.57 m)									<b>13,260 (6015)</b>	8,802 (3992)
10 ft. (3.05 m)			<b>26,288 (11 924)</b>	<b>26,288 (11 924)</b>	<b>19,583 (8883)</b>	17,248 (7824)	<b>16,337 (7410)</b>	11,784 (5345)	14,039 (6368)	8,382 (3802)
5 ft. (1.52 m)			<b>35,209 (15 971)</b>	24,259 (11 004)	<b>24,032 (10 901)</b>	15,732 (7136)	18,456 (8372)	10,966 (4974)	13,537 (6140)	7,922 (3593)
Ground Line			<b>28,835 (13 079)</b>	22,655 (10 276)	25,497 (11 565)	14,632 (6637)	17,706 (8031)	10,293 (4669)	13,101 (5943)	7,521 (3412)
-5 ft. (-1.52 m)	<b>16,801 (7621)</b>	<b>16,801 (7621)</b>	<b>27,413 (12 434)</b>	22,192 (10 066)	24,835 (11 265)	14,058 (6377)	17,233 (7817)	9,867 (4476)	12,815 (5813)	7,259 (3293)
-10 ft. (-3.05 m)	<b>21,986 (9973)</b>	<b>21,986 (9973)</b>	<b>30,098 (13 652)</b>	22,256 (10 095)	24,660 (11 186)	13,907 (6308)	17,063 (7740)	9,715 (4407)	12,747 (5782)	7,196 (3264)
-15 ft. (-4.57 m)	<b>22,737 (10 313)</b>	<b>22,737 (10 313)</b>	<b>32,779 (14 868)</b>	22,689 (10 292)	24,885 (11 288)	14,102 (6397)	17,222 (7812)	9,857 (4471)		
-20 ft. (-6.10 m)			<b>24,969 (11 326)</b>	23,551 (10 683)	<b>19,196 (8707)</b>	14,704 (6670)				
<i>With 32-in. (800 mm) shoes and 8-ft. 9-in. (2.66 m) arm</i>										
20 ft. (6.10 m)							<b>15,903 (7214)</b>	12,920 (5860)		
15 ft. (4.57 m)					<b>19,843 (9001)</b>	18,167 (8240)	<b>17,194 (7799)</b>	12,429 (5638)	14,599 (6622)	8,800 (3992)
10 ft. (3.05 m)					<b>23,951 (10 864)</b>	16,740 (7593)	<b>19,160 (8691)</b>	11,744 (5327)	14,290 (6482)	8,516 (3863)
5 ft. (1.52 m)					26,737 (12 128)	15,544 (7051)	18,729 (8495)	11,090 (5030)	13,931 (6319)	8,186 (3713)
Ground Line					26,009 (11 798)	14,914 (6765)	18,225 (8267)	10,638 (4825)	13,667 (6199)	7,944 (3603)
-5 ft. (-1.52 m)			<b>23,374 (10 602)</b>	<b>23,374 (10 602)</b>	25,814 (11 709)	14,746 (6689)	18,018 (8173)	10,452 (4741)	13,613 (6175)	7,895 (3581)
-10 ft. (-3.05 m)	<b>34,367 (15 589)</b>	<b>34,367 (15 589)</b>	<b>21,236 (9633)</b>	<b>21,236 (9633)</b>	<b>25,874 (11 736)</b>	14,907 (6762)	18,138 (8227)	10,560 (4790)		
-15 ft. (-4.57 m)			<b>25,600 (11 612)</b>	24,575 (11 147)	<b>20,618 (9352)</b>	15,433 (7000)				
<i>With 32-in. (800 mm) shoes and 10-ft. 6-in. (3.2 m) arm</i>										
20 ft. (6.10 m)							<b>14,473 (6565)</b>	13,120 (5951)	<b>8,723 (3957)</b>	<b>8,723 (3957)</b>
15 ft. (4.57 m)							<b>15,945 (7233)</b>	12,596 (5714)	14,723 (6678)	8,899 (4037)
10 ft. (3.05 m)			<b>31,935 (14 486)</b>	26,489 (12 015)	<b>22,285 (10 108)</b>	17,111 (7761)	<b>18,081 (8201)</b>	11,875 (5386)	14,343 (6506)	8,550 (3878)
5 ft. (1.52 m)					<b>26,176 (11 873)</b>	15,780 (7158)	18,824 (8539)	11,157 (5061)	13,925 (6316)	8,166 (3704)
Ground Line			<b>21,194 (9614)</b>	<b>21,194 (9614)</b>	26,089 (11 834)	14,959 (6785)	18,223 (8266)	10,618 (4816)	13,589 (6164)	7,858 (3564)
-5 ft. (-1.52 m)	<b>15,603 (7077)</b>	<b>15,603 (7077)</b>	<b>20,544 (9319)</b>	<b>20,544 (9319)</b>	25,715 (11 664)	14,636 (6639)	17,910 (8124)	10,336 (4688)	13,426 (6090)	7,708 (3496)
-10 ft. (-3.05 m)	<b>25,984 (11 786)</b>	<b>25,984 (11 786)</b>	<b>26,208 (11 888)</b>	23,478 (10 650)	25,763 (11 686)	14,677 (6657)	17,905 (8122)	10,332 (4687)		
-15 ft. (-4.57 m)	<b>20,074 (9106)</b>	<b>20,074 (9106)</b>	<b>28,870 (13 095)</b>	24,089 (10 927)	<b>22,802 (10 343)</b>	15,057 (6830)	<b>16,970 (7698)</b>	10,694 (4851)		
<i>With 32-in. (800 mm) shoes and 13-ft. 1-in. (4.0 m) arm</i>										
20 ft. (6.10 m)									<b>11,403 (5172)</b>	9,361 (4246)
15 ft. (4.57 m)									<b>13,260 (6015)</b>	9,093 (4125)
10 ft. (3.05 m)			<b>26,288 (11 924)</b>	<b>26,288 (11 924)</b>	<b>19,583 (8883)</b>	17,726 (8040)	<b>16,337 (7410)</b>	12,145 (5509)	<b>14,491 (6573)</b>	8,673 (3934)
5 ft. (1.52 m)			<b>35,209 (15 970)</b>	24,967 (11 325)	<b>24,032 (10 901)</b>	16,211 (7353)	<b>18,798 (8527)</b>	11,327 (5138)	14,000 (6350)	8,212 (3725)
Ground Line			<b>28,835 (13 079)</b>	23,362 (10 597)	26,307 (11 933)	15,110 (6854)	18,295 (8299)	10,654 (4833)	13,564 (6152)	7,812 (3543)
-5 ft. (-1.52 m)	<b>16,801 (7621)</b>	<b>16,801 (7621)</b>	<b>27,413 (12 434)</b>	22,899 (10 387)	25,644 (11 632)	14,537 (6594)	17,822 (8084)	10,228 (4639)	13,278 (6023)	7,549 (3424)
-10 ft. (-3.05 m)	<b>21,986 (9973)</b>	<b>21,986 (9973)</b>	<b>30,098 (13 652)</b>	22,963 (10 416)	25,470 (11 553)	14,385 (6525)	17,652 (8007)	10,076 (4570)	13,210 (5992)	7,486 (3396)
-15 ft. (-4.57 m)	<b>22,737 (10 313)</b>	<b>22,737 (10 313)</b>	<b>32,779 (14 868)</b>	23,396 (10 612)	<b>25,124 (11 396)</b>	14,580 (6613)	17,811 (8079)	10,218 (4635)		
-20 ft. (-6.10 m)			<b>24,969 (11 326)</b>	24,259 (11 004)	<b>19,196 (8707)</b>	15,182 (6887)				

### 370C Lift Capacities

**Boldface italic** type indicates hydraulic-limited capacities; lightface type indicates stability-limited capacities, in lb. (kg). Ratings at bucket lift hook; machine equipped with 2.3-cu. yd. (1.76 m<sup>3</sup>) 54-in. (1370 mm) wide, 2,557-lb. (1160 kg) bucket; and situated on firm, uniform supporting surface. Total load includes weight of cables, hook, etc. Figures do not exceed 87 percent of hydraulic capacities or 75 percent of weight needed to tip machine. All lift capacities are with power boost and are based on SAE J1097.

Load Point Height	10 ft. (3.05 m)		15 ft. (4.57 m)		20 ft. (6.10 m)		25 ft. (7.62 m)		30 ft. (9.14 m)	
	Over Front	Over Side	Over Front	Over Side	Over Front	Over Side	Over Front	Over Side	Over Front	Over Side
<i>With 30-in. (750 mm) shoes and 8-ft. 9-in. (2.66 m) arm</i>										
20 ft. (6.10 m)							<b>15,949 (7234)</b>	14,921 (6768)		
15 ft. (4.57 m)					<b>20,084 (9110)</b>	<b>20,084 (9110)</b>	<b>17,305 (7849)</b>	14,411 (6537)	<b>15,790 (7162)</b>	10,409 (4721)
10 ft. (3.05 m)					<b>24,205 (10 979)</b>	19,333 (8769)	<b>19,289 (8749)</b>	13,720 (6223)	16,638 (7547)	10,116 (4589)
5 ft. (1.52 m)					<b>27,531 (12 488)</b>	18,167 (8240)	<b>21,137 (9588)</b>	13,075 (5931)	16,282 (7385)	9,789 (4440)
Ground Line					<b>28,844 (13 084)</b>	17,571 (7970)	21,221 (9626)	12,638 (5733)	16,028 (7270)	9,555 (4334)
-5 ft. (-1.52 m)			<b>22,777 (10 332)</b>	<b>22,777 (10 332)</b>	<b>28,203 (12 793)</b>	17,426 (7904)	21,033 (9541)	12,469 (5656)		
-10 ft. (-3.05 m)	<b>31,927 (14 482)</b>	<b>31,927 (14 482)</b>	<b>22,075 (10 013)</b>	<b>22,075 (10 013)</b>	<b>25,647 (11 633)</b>	17,607 (7986)	<b>19,936 (9043)</b>	12,599 (5715)		
-15 ft. (-4.57 m)			<b>25,036 (11 356)</b>	<b>25,036 (11 356)</b>	<b>20,126 (9129)</b>	18,164 (8239)				

*With 30-in. (750 mm) shoes and 10-ft. 6-in. (3.2 m) arm*

20 ft. (6.10 m)							<b>14,535 (6593)</b>	<b>14,535 (6593)</b>	<b>9,384 (4257)</b>	<b>9,384 (4257)</b>
15 ft. (4.57 m)							<b>16,066 (7287)</b>	14,576 (6612)	<b>14,889 (6754)</b>	10,503 (4764)
10 ft. (3.05 m)			<b>32,561 (14 770)</b>	30,241 (13 717)	<b>22,557 (10 232)</b>	19,699 (8935)	<b>18,223 (8266)</b>	13,849 (6282)	<b>15,892 (7209)</b>	10,148 (4603)
5 ft. (1.52 m)					<b>26,371 (11 962)</b>	18,392 (8343)	<b>20,334 (9223)</b>	13,137 (5959)	16,272 (7381)	9,765 (4429)
Ground Line			<b>21,241 (9635)</b>	<b>21,241 (9635)</b>	<b>28,421 (12 892)</b>	17,605 (7986)	21,213 (9622)	12,612 (5721)	15,945 (7233)	9,465 (4293)
-5 ft. (-1.52 m)	<b>16,747 (7596)</b>	<b>16,747 (7596)</b>	<b>19,852 (9005)</b>	<b>19,852 (9005)</b>	<b>28,505 (12 930)</b>	17,307 (7850)	20,918 (9488)	12,348 (5601)	15,796 (7165)	9,328 (4231)
-10 ft. (-3.05 m)	<b>25,683 (11 650)</b>	<b>25,683 (11 650)</b>	<b>26,716 (12 118)</b>	<b>26,716 (12 118)</b>	<b>26,701 (12 111)</b>	17,369 (7879)	<b>20,769 (9421)</b>	12,362 (5607)		
-15 ft. (-4.57 m)	<b>21,048 (9547)</b>	<b>21,048 (9547)</b>	<b>28,391 (12 878)</b>	28,117 (12 754)	<b>22,431 (10 175)</b>	17,774 (8062)	<b>16,527 (7497)</b>	12,759 (5787)		

*With 30-in. (750 mm) shoes and 13-ft. 1-in. (4.0 m) arm*

25 ft. (7.62 m)									<b>6,877 (3119)</b>	<b>6,877 (3119)</b>
20 ft. (6.10 m)									<b>11,567 (5247)</b>	10,978 (4980)
15 ft. (4.57 m)							<b>14,143 (6415)</b>	<b>14,143 (6415)</b>	<b>13,326 (6045)</b>	10,696 (4852)
10 ft. (3.05 m)			<b>26,924 (12 213)</b>	<b>26,924 (12 213)</b>	<b>19,875 (9015)</b>	<b>19,875 (9015)</b>	<b>16,494 (7482)</b>	14,119 (6404)	<b>14,577 (6612)</b>	10,270 (4658)
5 ft. (1.52 m)			<b>35,619 (16 157)</b>	28,802 (13 065)	<b>24,278 (11 012)</b>	18,813 (8534)	<b>18,942 (8592)</b>	13,305 (6035)	<b>15,946 (7233)</b>	9,810 (4450)
Ground Line			<b>28,564 (12 957)</b>	27,294 (12 380)	<b>27,298 (12 382)</b>	17,745 (8049)	<b>20,865 (9464)</b>	12,645 (5736)	15,913 (7218)	9,416 (4271)
-5 ft. (-1.52 m)	<b>17,524 (7949)</b>	<b>17,524 (7949)</b>	<b>27,494 (12 471)</b>	26,875 (12 190)	<b>28,428 (12 895)</b>	17,202 (7803)	20,820 (9444)	12,236 (5550)	15,639 (7094)	9,164 (4157)
-10 ft. (-3.05 m)	<b>21,450 (9730)</b>	<b>21,450 (9730)</b>	<b>30,337 (13 761)</b>	26,965 (12 231)	<b>27,696 (12 563)</b>	17,073 (7744)	20,670 (9376)	12,101 (5489)	15,586 (7070)	9,116 (4135)
-15 ft. (-4.57 m)	<b>23,376 (10 603)</b>	<b>23,376 (10 603)</b>	<b>32,408 (14 700)</b>	27,421 (12 438)	<b>24,871 (11 281)</b>	17,290 (7843)	<b>19,107 (8667)</b>	12,265 (5563)		
-20 ft. (-6.10 m)			<b>24,308 (11 026)</b>	<b>24,308 (11 026)</b>	<b>18,637 (8454)</b>	17,927 (8132)				

### 330C LC / 370C Buckets

A full line of buckets is offered to meet a wide variety of applications. Digging forces are with power boost. The buckets have an adjustable bushing for side clearance, with the exception of the ditching bucket. Tooth selection includes either the John Deere Fanggs®, Standard, Tiger, Twin Tiger, Abrasion panel, or Flare tooth, or the ESCO (Vertalok) Standard, Tiger, Twin Tiger, or Flare tooth. Replaceable cutting edges are available through John Deere parts. Optional side cutters add 6 inches (150 mm) to bucket widths.

Type Bucket	Bucket Width		Bucket Capacity*		Weight		Bucket Dig Force		Arm Dig Force 8 ft. 9 in. (2.66 m)		Arm Dig Force 10 ft. 6 in. (3.2 m)		Arm Dig Force 13 ft. 1 in. (4.0 m)		Bucket Tip Radius		No. Teeth
	in.	mm	cu. yd.	m <sup>3</sup>	lb.	kg	lb.	kN	lb.	kN	lb.	kN	lb.	kN	in.	mm	
General-Purpose Plate Lip	30	762	1.20	0.92	1,770	803	48,220	214.5	43,000	191.3	37,396	166.3	32,136	142.9	63.0	1600	4
	36	914	1.48	1.13	1,872	849	48,220	214.5	43,000	191.3	37,396	166.3	32,136	142.9	63.0	1600	4
	42	1067	1.75	1.34	1,998	906	48,220	214.5	43,000	191.3	37,396	166.3	32,136	142.9	63.0	1600	5
	48	1219	2.03	1.55	2,115	959	48,220	214.5	43,000	191.3	37,396	166.3	32,136	142.9	63.0	1600	6
	54	1372	2.30	1.76	2,215	1005	48,220	214.5	43,000	191.3	37,396	166.3	32,136	142.9	63.0	1600	7
60	1524	2.59	1.98	2,338	1061	48,220	214.5	43,000	191.3	37,396	166.3	32,136	142.9	63.0	1600	7	
General-Purpose High Capacity	30	762	1.26	0.96	2,420	1098	43,712	194.4	41,389	184.1	36,153	160.8	31,216	138.8	69.5	1765	4
	36	914	1.56	1.19	2,550	1157	43,712	194.4	41,389	184.1	36,153	160.8	31,216	138.8	69.5	1765	4
	42	1067	1.85	1.41	2,710	1229	43,712	194.4	41,389	184.1	36,153	160.8	31,216	138.8	69.5	1765	5
	48	1219	2.15	1.64	2,815	1277	43,712	194.4	41,389	184.1	36,153	160.8	31,216	138.8	69.5	1765	5
	54	1372	2.45	1.87	2,982	1353	43,712	194.4	41,389	184.1	36,153	160.8	31,216	138.8	69.5	1765	6
60	1524	2.74	2.09	3,089	1401	43,712	194.4	41,389	184.1	36,153	160.8	31,216	138.8	69.5	1765	7	

\*All capacities are SAE heaped ratings.

### 330C LC / 370C Buckets (continued)

A full line of buckets is offered to meet a wide variety of applications. Digging forces are with power boost. The buckets have an adjustable bushing for side clearance, with the exception of the ditching bucket. Tooth selection includes either the John Deere Fanggs®, Standard, Tiger, Twin Tiger, Abrasion panel, or Flare tooth, or the ESCO (Vertalok) Standard, Tiger, Twin Tiger, or Flare tooth. Replaceable cutting edges are available through John Deere parts. Optional side cutters add 6 inches (150 mm) to bucket widths.

Type Bucket	Bucket Width		Bucket Capacity*		Weight		Bucket Dig Force		Arm Dig Force 8 ft. 9 in. (2.66 m)		Arm Dig Force 10 ft. 6 in. (3.2 m)		Arm Dig Force 13 ft. 1 in. (4.0 m)		Bucket Tip Radius		No. Teeth
	in.	mm	cu. yd.	m³	lb.	kg	lb.	kN	lb.	kN	lb.	kN	lb.	kN	in.	mm	
Heavy-Duty	36	914	1.48	1.13	2,138	970	48,220	214.5	43,000	191.3	37,396	166.3	32,136	142.9	63.0	1600	4
Plate Lip	42	1067	1.75	1.34	2,210	1002	48,220	214.5	43,000	191.3	37,396	166.3	32,136	142.9	63.0	1600	5
	48	1219	2.03	1.55	2,324	1054	48,220	214.5	43,000	191.3	37,396	166.3	32,136	142.9	63.0	1600	6
	54	1372	2.30	1.76	2,557	1160	48,220	214.5	43,000	191.3	37,396	166.3	32,136	142.9	63.0	1600	6
Heavy-Duty	30	762	1.26	0.96	2,516	1141	43,712	194.4	41,389	184.1	36,158	160.8	31,216	138.8	69.5	1765	4
High Capacity	36	914	1.56	1.19	2,781	1261	43,712	194.4	41,389	184.1	36,158	160.8	31,216	138.8	69.5	1765	4
	42	1067	1.85	1.41	3,120	1415	43,712	194.4	41,389	184.1	36,158	160.8	31,216	138.8	69.5	1765	5
	48	1219	2.15	1.64	3,318	1505	43,712	194.4	41,389	184.1	36,158	160.8	31,216	138.8	69.5	1765	6
	54	1372	2.45	1.87	3,562	1616	43,712	194.4	41,389	184.1	36,158	160.8	31,216	138.8	69.5	1765	6
Severe-Duty	42	1067	1.75	1.34	2,774	1258	46,730	207.9	42,486	189.0	37,003	164.6	32,222	143.3	65.0	1651	5
Cast Lip	48	1219	2.03	1.55	2,815	1277	46,730	207.9	42,486	189.0	37,003	164.6	32,222	143.3	65.0	1651	5
Severe-Duty	30	762	1.26	0.96	2,850	1293	41,038	182.5	40,347	179.5	34,010	151.3	26,940	119.8	74.0	1880	3
Plate Lip	36	914	1.56	1.19	3,024	1372	41,038	182.5	40,347	179.5	34,010	151.3	26,940	119.8	74.0	1880	4
	42	1067	1.85	1.41	3,343	1516	41,038	182.5	40,347	179.5	34,010	151.3	26,940	119.8	74.0	1880	4
	48	1219	2.15	1.64	3,522	1598	41,038	182.5	40,347	179.5	34,010	151.3	26,940	119.8	74.0	1880	5
Ditching	72	1829	1.66	1.27	2,531	1148	59,576	265.0	46,306	206.0	39,933	177.7	33,987	151.2	51.0	1295	0
	84	2134	3.42	2.61	3,369	1528	48,220	214.5	43,000	141.3	37,396	166.3	32,136	142.9	63.0	1600	0

\*All capacities are SAE heaped ratings.

### Bucket Selection Guide

#### 330C LC

#### 370C

Material (loose weight)	330C LC		370C	
	General-Purpose Bucket*	Heavy-Duty Bucket*	General-Purpose Bucket*	Heavy-Duty Bucket*
Wood chips – 700 lb./cu. yd. (420 kg/m³).....	9.0 cu. yd. (6.9 m³)	—	9.0 cu. yd. (6.9 m³)	—
Peat, dry – 750 lb./cu. yd. (440 kg/m³).....	8.0 cu. yd. (6.1 m³)	—	8.0 cu. yd. (6.1 m³)	—
Cinders – 950 lb./cu. yd. (560 kg/m³).....	5.5 cu. yd. (4.2 m³)	—	5.5 cu. yd. (4.2 m³)	—
Peat, wet – 1,170 lb./cu. yd. (690 kg/m³).....	5.0 cu. yd. (3.8 m³)	—	5.0 cu. yd. (3.8 m³)	—
Topsoil – 1,600 lb./cu. yd. (950 kg/m³).....	4.0 cu. yd. (3.0 m³)	—	4.0 cu. yd. (3.0 m³)	—
Coal – 1,780 lb./cu. yd. (1050 kg/m³).....	3.5 cu. yd. (2.7 m³)	3.25 cu. yd. (2.5 m³)	3.5 cu. yd. (2.7 m³)	3.25 cu. yd. (2.5 m³)
Caliche – 2,100 lb./cu. yd. (1250 kg/m³).....	1.75–2.5 cu. yd. (1.3–1.9 m³)	1.5–2.5 cu. yd. (1.1–1.9 m³)	1.75–2.5 cu. yd. (1.3–1.9 m³)	1.5–2.5 cu. yd. (1.1–1.9 m³)
Earth, loam – 2,100 lb./cu. yd. (1250 kg/m³).....	2.75 cu. yd. (2.1 m³)	2.5 cu. yd. (1.9 m³)	2.75 cu. yd. (2.1 m³)	2.5 cu. yd. (1.9 m³)
Shale – 2,250 lb./cu. yd. (1330 kg/m³).....	2.75 cu. yd. (2.1 m³)	2.5 cu. yd. (1.9 m³)	2.75 cu. yd. (2.1 m³)	2.5 cu. yd. (1.9 m³)
Sand, dry – 2,400 lb./cu. yd. (1420 kg/m³).....	2.75 cu. yd. (2.1 m³)	2.5 cu. yd. (1.9 m³)	2.75 cu. yd. (2.1 m³)	2.5 cu. yd. (1.9 m³)
Clay, dry – 2,500 lb./cu. yd. (1480 kg/m³).....	2.0–2.5 cu. yd. (1.5–1.9 m³)	1.75–2.25 cu. yd. (1.3–1.7 m³)	2.0–2.5 cu. yd. (1.5–1.9 m³)	1.75–2.25 cu. yd. (1.3–1.7 m³)
Earth, dry – 2,550 lb./cu. yd. (1510 kg/m³).....	2.0–2.5 cu. yd. (1.5–1.9 m³)	1.75–2.25 cu. yd. (1.3–1.7 m³)	2.0–2.5 cu. yd. (1.5–1.9 m³)	1.75–2.25 cu. yd. (1.3–1.7 m³)
Limestone, broken or crushed – 2,600 lb./cu. yd. (1540 kg/m³).....	1.63–2.25 cu. yd. (1.2–1.7 m³)	1.5–2.0 cu. yd. (1.1–1.5 m³)	1.63–2.25 cu. yd. (1.2–1.7 m³)	1.5–2.0 cu. yd. (1.1–1.5 m³)
Earth, wet – 2,700 lb./cu. yd. (1600 kg/m³).....	2.0–2.5 cu. yd. (1.5–1.9 m³)	1.75–2.25 cu. yd. (1.3–1.7 m³)	2.0–2.5 cu. yd. (1.5–1.9 m³)	1.75–2.25 cu. yd. (1.3–1.7 m³)
Clay, wet – 2,800 lb./cu. yd. (1660 kg/m³).....	2.0–2.5 cu. yd. (1.5–1.9 m³)	1.75–2.25 cu. yd. (1.3–1.7 m³)	2.0–2.5 cu. yd. (1.5–1.9 m³)	1.75–2.25 cu. yd. (1.3–1.7 m³)
Rock, granite, blasted and broken – 2,800 lb./cu. yd. (1660 kg/m³).....	1.63–2.75 cu. yd. (1.2–2.1 m³)	1.5–2.5 cu. yd. (1.1–1.9 m³)	1.63–2.75 cu. yd. (1.2–2.1 m³)	1.5–2.5 cu. yd. (1.1–1.9 m³)
Sand, moist – 2,850 lb./cu. yd. (1690 kg/m³).....	2.25 cu. yd. (1.7 m³)	2.1 cu. yd. (1.6 m³)	2.25 cu. yd. (1.7 m³)	2.1 cu. yd. (1.6 m³)
Sand and gravel, dry – 2,900 lb./cu. yd. (1720 kg/m³).....	2.25 cu. yd. (1.7 m³)	2.1 cu. yd. (1.6 m³)	2.25 cu. yd. (1.7 m³)	2.1 cu. yd. (1.6 m³)
Sand, wet – 3,100 lb./cu. yd. (1840 kg/m³).....	2.15 cu. yd. (1.6 m³)	2.0 cu. yd. (1.5 m³)	2.15 cu. yd. (1.6 m³)	2.0 cu. yd. (1.5 m³)
Sand and gravel, wet – 3,400 lb./cu. yd. (2020 kg/m³).....	2.0 cu. yd. (1.5 m³)	1.85 cu. yd. (1.4 m³)	2.0 cu. yd. (1.5 m³)	1.85 cu. yd. (1.4 m³)

\*Contact your John Deere dealer for optimum bucket and attachment selections. These recommendations are for general conditions and average use. Larger buckets may be possible for flat and level operations, less compacted materials, and volume loading applications such as mass excavation applications in ideal conditions. Smaller buckets are recommended for adverse conditions such as off-level applications and uneven surfaces. Bucket capacity indicated is SAE heaped.

## 330C LC / 370C Excavators

**Key:** ● Standard equipment ▲ Optional or special equipment

\*See your John Deere dealer for further information.

330C LC	370C	Engine	330C LC	370C	Front Attachments	330C LC	370C	Operator's Station (continued)
●	●	Auto-idle system	●	●	Bucket-to-arm clearance adjustable bushing (except ditching buckets)	●	●	Machine Information Center (MIC)
●	●	Automatic belt tension device	●	●	Centralized lubrication system	●	●	Mode selectors (illuminated): Power modes – three / Travel modes – two with automatic shift / Work modes – two
●	●	Batteries (two 12 volt), 180-min. reserve capacity	●	●	Dirt seals on all bucket pins	●	●	Monitor system with alarm features: Auto-idle/auto-acceleration indicator light / Engine air cleaner restriction indicator light / Engine check / Engine coolant temperature indicator light with audible alarm / Engine oil pressure indicator light with audible alarm / Low alternator charge indicator light / Low fuel indicator light / Wiper-mode indicator / Work-lights-on indicator / Work-mode indicator
●	●	Coolant recovery tank	▲	▲	No-boom-arm option	●	●	Monitor system with alarm features: Hydraulic oil filter restriction indicator light
●	●	Dual element dry-type air filter	▲	▲	Arm, 8 ft. 9 in. (2.66 m)	●	●	Motion alarm with cancel switch (conforms to SAE J994)
●	●	Electronic engine control with diagnostics capability	▲	▲	Arm, 10 ft. 6 in. (3.2 m)	●	●	Power boost switch on right control lever
●	●	Enclosed fan guard (conforms to SAE J1308)	▲	▲	Arm, 13 ft. 1 in. (4.0 m)	●	●	Propel pedals and levers
●	●	Engine coolant to –34°F (–37°C)	▲	▲	Attachment quick couplers	●	●	SAE two-lever control pattern
●	●	Fuel filter with water separator	▲	▲	Boom cylinder with plumbing to main-frame for no-boom-arm option	●	●	Seat belt, 2 in. (51 mm), retractable
●	●	Full-flow oil filter	▲	▲	Buckets: Ditching / General purpose / General-purpose high capacity / Heavy duty / Heavy-duty high capacity / Severe-duty cast lip / Severe-duty plate lip / Side cutters and teeth	●	●	Seat belt, 3 in. (76 mm), non-retractable
●	●	Radiator trash screen	▲	▲	Laser depth systems	●	●	Tinted glass
●	●	Tier II EPA off-road emission compliant	▲	▲	Material clamps	●	●	Transparent tinted overhead hatch
●	●	Turbocharger with charge air cooler	▲	▲	Super-long fronts	▲	▲	24- to 12-volt D.C. radio converters, 10 amp
●	●	Underhood muffler with vertical curved end exhaust stack			<b>Operator's Station</b>	▲	▲	Alternate pilot control pattern
▲	▲	Electric ether starting aid			Adjustable independent control positions (levers-to-seat, seat-to-pedals)	▲	▲	Circulation fan
▲	▲	Engine coolant heater			AM/FM radio	▲	▲	Protection screens for cab front, rear, and side
		<b>Hydraulic System</b>			Auto climate control/air conditioner, 20,000 Btu/hr. (5.9 kW) with heater and pressurizer	▲	▲	Window vandal protection covers
●	●	Reduced-drift valve for boom down, arm in			Built-in Operator's Manual storage compartment and manual			<b>Electrical</b>
●	●	Auxiliary hydraulic valve section			Cell-phone power outlet, 12 volt, 60 watt, 5 amp			45-amp alternator
●	●	Spring-applied, hydraulically released automatic swing brake			Coat hook			Blade-type multi-fused circuits
▲	▲	Auxiliary hydraulic lines			Deluxe suspension cloth seat with 4-in. (100 mm) adjustable armrests			Positive terminal battery covers
▲	▲	Auxiliary pilot and electric controls			Floor mat			Cab extension wiring harness
▲	▲	Hydraulic filter restriction indicator kit			Front windshield wiper with intermittent speeds			<b>Lights</b>
▲	▲	Load-lowering control device			Gauges (illuminated): Engine coolant / Fuel			Work lights: Halogen / One mounted on boom / One mounted on frame
▲	▲	Single pedal propel control			Horn, electric			
		<b>Undercarriage</b>			Hourmeter, electric			
●	●	Planetary drive with axial piston motors			Hydraulic shutoff lever, all controls			
●	●	Propel motor shields			Hydraulic warm-up control			
●	●	Track guides, front idler and center			Interior light			
●	●	Triple semi-grouser shoes, 32 in. (800 mm)			Large cup holder			
▲	▲	Triple semi-grouser shoes, 24 in. (600 mm)						
●	●	Triple semi-grouser shoes, 30 in. (750 mm)						
●	●	Two-speed propel with automatic shift						
●	●	Upper carrier rollers (2)						
		<b>Upperstructure</b>						
●	●	Right- and left-hand mirrors						
●	●	Vandal locks with ignition key: Cab door / Fuel cap / Service doors						

## Control Owning and Operating Costs

Customer Personal Service (CPS) is part of John Deere's proactive, fix-before-fail strategy on machine maintenance that will help control costs, increase profits, and reduce stress. Included in this comprehensive lineup of ongoing programs and services are:

**Fluid analysis program** – tells you what's going on inside *all* of your machine's major components so you'll know if there's a problem *before* you see a decline in performance. Fluid analysis is included in most extended coverage and preventive-maintenance agreements.

**Component life-cycle data** – gives you vital information on the projected life span of components and lets you make informed decisions on machine maintenance by telling you approximately how many hours of use you can expect from an engine, transmission, or hydraulic pump. This information can be used to preempt catastrophic downtime by servicing major components at about 80 percent of their life cycle.

**Preventive Maintenance (PM) agreements** – give you a fixed cost for maintaining a machine for a given period of time. They also help you avoid downtime by ensuring that critical maintenance work

gets done right and on schedule. On-site preventive maintenance service performed where and when you need it helps protect you from the expense of catastrophic failures and lets you avoid waste-disposal hassles.

**Extended coverage** – gives you a fixed cost for machine repairs for a given period of time so you can effectively manage costs. Whether you work in a severe-service setting or just want to spread the risk of doing business, this is a great way to custom-fit coverage for your operation. And an extended coverage contract also travels well because it's backed by John Deere and is honored by *all* Deere construction dealers.

**Customer Support Advisors (CSAs)** – Deere believes the CSA program lends a *personal* quality to Customer Personal Service (CPS). Certified CSAs have the knowledge and skills for helping make important decisions on machine maintenance and repair. Their mission is to help you implement a plan that's right for *your* business and take the burden of machine maintenance off your shoulders.



JOHN DEERE

Net engine power is with standard equipment including air cleaner, exhaust system, alternator, and cooling fan, at standard conditions per SAE J1349 and DIN 6270B, using No. 2-D fuel at 35 API gravity. No derating is required up to 10,000-ft. (3050 m) altitude. Gross power is without cooling fan.

Specifications and design subject to change without notice. Wherever applicable, specifications are in accordance with PCSA and SAE standards. Except where otherwise noted, these specifications are based on units with 13-ft. 1-in. (4.0 m) arms; 54-in. (1370 mm), 2.3-cu. yd. (1.76 m<sup>3</sup>) buckets; full fuel tanks; and 175-lb. (79 kg) operators; 330C LC with 32-in. (800 mm) triple semi-grouser shoes and 15,018-lb. (6812 kg) counterweight; and 370C with 30-in. (750 mm) triple semi-grouser shoes and 16,670-lb. (7562 kg) counterweight.

