

344L

Compact Wheel Loader



JOHN DEERE





344L COMPACT WHEEL LOADER

RUN SMALL, DREAM BIG

Your workday is usually long, your tasks can take you into tight places, and your budget can be just as limited. That's why you need smaller do-it-all equipment that combines head-turning maneuverability, sure-footed stability, and cost-effective capability with productive power, responsive travel speed, and ease of serviceability. Meet the 344L Compact Wheel Loader, designed to include a wide range of reliable standard features and proven options that help this highly adaptable, multipurpose machine deliver the big results that will have you imagining what it can accomplish for your operation.

FEATURES

Turn things around

Industry-exclusive Articulation Plus™ steering system combines 30 degrees of articulation with 10 additional degrees of rear-wheel steer. Reduced articulation angle design delivers tighter turns that are more stable, especially with large loads, than comparatively sized loaders without Articulation Plus.

On the level

Loader arm and coupler design improves the lifting path to near parallel – for better load-carrying capability than previous models. This keeps the load more level from ground to truck-bed height and helps the operator focus on the task instead of on making manual adjustments.

Reach your goals

Outstanding reach enables the 344L to efficiently dump to the center of tandem-axle trucks, for quick loading cycles. With exceptional lift and height to hinge pin, the optional High-Lift configuration makes this capable compact especially adept at repetitive dumping and stacking applications.

Fast getaway

With a standard top speed of just under 25 mph, the 344L can make some pretty quick moves on and between jobsites.

Control and command

Low-effort joystick controls boom and bucket, F-N-R, and differential lock. Adjustable-height monitor lets operators keep close watch on vital machine functions. Expansive floor-to-ceiling tinted glass provides a commanding view of the work at hand and around the machine.



**MORE
STABLE***

+



**MORE
MANEUVERABLE***

+



**MORE
CAPABLE***

*Compared to leading competitive articulation loaders of the same size.

Lighten up

In-cab lighting activates when the door is opened to illuminate machine entrances and exits. Optional LED front and rear work lights brilliantly brighten early morning or after-daylight tasks.

Smooth moves

Load-sensing AutoShift powertrain technology eliminates productivity-interrupting manual shifts between gear ranges while providing smooth direction changes.

Switch attachments

Equip your 344L with an ISO coupler to quickly and easily go from bucket to forks, for maximum lift capacity.

It's a lock

Optional throttle lock and creep control let operators set a slow ground speed while maintaining full engine power to an attachment. It's perfect for work with snow blowers, cold planers, or material/manure scrapers.

Get a grip

Manual low-speed 100-percent differential lock delivers the ground-gripping tractive effort needed to dive deep into the pile and help heap the bucket. Rimpull control manages power to the wheels, allowing the operator to select the optimal setting to reduce tire and driveline wear.





344L COMPACT WHEEL LOADER



**OPTIONAL LED FRONT
& REAR WORK LIGHTS
ENHANCE VISIBILITY**



Keep your cool

Redesigned engine compartment and cooling package improve airflow and reduce the amount of debris entering the system compared to previous models. Access to all daily service checks and cooler cores is from ground level.

Remote diagnostics and support

To maximize uptime and lower costs, JDLink™ connectivity provides machine location, utilization data, and alerts to help you maximize productivity and efficiency. JDLink also enables John Deere Connected Support™. Dealers use Expert Alerts based on data from thousands of connected machines to proactively address conditions that may otherwise likely lead to downtime. Your dealer can also monitor machine health and leverage remote diagnostics and programming capability to further diagnose problems and even update machine software without a time-consuming trip to the jobsite.*

*Availability varies by region. Options not available in every country.

344L WHEEL LOADER SPECIFICATIONS

Engine			
Manufacturer and Model	John Deere PowerTech™ 4045T with turbocharger	Maximum Gross Output (ISO 3046 and SAE J1995)	78 kW (106 hp) at 2,000 rpm
Non-Road Emission Standard	EPA Final Tier 4/EU Stage IV	Net Peak Torque (ISO 9249 and SAE J1349)	405 Nm (299 lb.-ft.) at 1,600 rpm
Cylinders	4	Lubrication	Pressure system with full-flow spin-on filter
Displacement	4.5 L (275 cu. in.)	Aspiration	Turbocharged, charge-air cooled
Maximum Peak Power (ISO 9249)	76 kW (103 hp) at 2,000 rpm		
Cooling			
Fan	Suction type, hydraulically driven, proportionally controlled		
Engine Coolant Rating	-37 deg. C (-34 deg. F)		
Powertrain			
Hydrostatic (HST) with infinitely variable speed control over full range of operating speeds; 2 speed ranges; low-effort electric shift; joystick-mounted F-N-R; HST inching pedal allows infinitely reduced travel speeds while maintaining full engine rpm and hydraulic flow			
2 Travel Speeds in Forward and Reverse (equipped with tires indicated as standard)			
Gear 1	18.0 km/h (11.2 mph)		
Gear 2	40.0 km/h (24.9 mph)		
Axles			
Rear Axle Oscillation Versus Front Axle	Rear center-pivot axle with 10-deg. rear axle oscillation and 10-deg. frame oscillation		
Differentials	Hydraulic 100% dif-lock front and conventional rear differential		
Steering (SAE J1511)			
Articulation Angle	Hydraulic power steering; 30-deg. articulation left and right with mechanical-actuated rear-wheel steering		
Final Drive	60-deg. arc (30 deg. each direction)		
Brakes (SAE J1473 and ISO 3450)	Heavy-duty planetary, mounted outboard		
Service Brakes	Hydraulically actuated, self-adjusting internal wet-disc brake and driveline drum brake		
Parking Brake	Automatically spring-applied, hydraulically released, internal wet disc		
Hydraulics			
Main Pump (loader and steering)	Constant-displacement gear pump	Hydraulic Cycle Times	
Maximum Rated Flow at 6895 kPa (1,000 psi) and 2,400 rpm	115 L/m (30 gpm)	Raise	6.9 sec.
System Relief Pressure (loader and steering)	24 000 kPa (3,480 psi)	Dump	3.0 sec.
		Lower (float down)	4.9 sec.
		Lower (power down)	4.0 sec.
		Total (with original pump)	13.9 sec.
Controls			
	Pilot-operated, pressure-compensating, 2-function valve with unloader; single-lever control and control-lever lockout feature; optional 3rd-function valve		
Electrical			
Type	Electrical load center with blade-type multi-fused circuits		
Voltage	12 volt		
Battery Capacity	1,700 CCA		
Reserve Capacity	176 min.		
Alternator Rating	90 amp		
Lights			
	2 front and 2 rear standard / optional LED field kit		
Tires/Wheels			
Tires on Single-Piece Rims	Tread Width*	Width Over Tires ¹	Change in Vertical Height
17.5R25EM, Goodyear SGL-D/L 2A, 12 PR 4S (standard)	1869 mm (6 ft. 2 in.)	2380 mm (7 ft. 10 in.)	0 mm (0 in.)
17.5R25EM, XHA2 L3 Michelin (optional)	1869 mm (6 ft. 2 in.)	2370 mm (7 ft. 9 in.)	0 mm (0 in.)
17.5R25 VUT L2 Bridgestone (optional)	1869 mm (6 ft. 2 in.)	2360 mm (7 ft. 9 in.)	+17 mm (+0.7 in.)
17.5R25EM, XTLA L2 Michelin (optional)	1869 mm (6 ft. 2 in.)	2380 mm (7 ft. 10 in.)	-29 mm (-1.1 in.)
*Also see Q in Dimensions section on pages 7 and 8. / ¹ Also see R in Dimensions section on pages 7 and 8.			
Serviceability			
Refill Capacities		Refill Capacities (continued)	
Cooling System (engine and radiator)	21.0 L (22.2 qt.)	Hydraulic/HST Reservoir With Filter	115.0 L (30.4 gal.)
Differential and Planetary Axle (front and rear [each])	7.5 L (7.9 qt.)	HST Motor Gearbox	2.0 L (2.1 qt.)
Engine Oil With Filter	14.0 L (14.8 qt.)	Front/Rear Axle Planetary Hubs (each)	0.8 L (25.4 oz.)
Fuel Tank	155.0 L (40.9 gal.)		

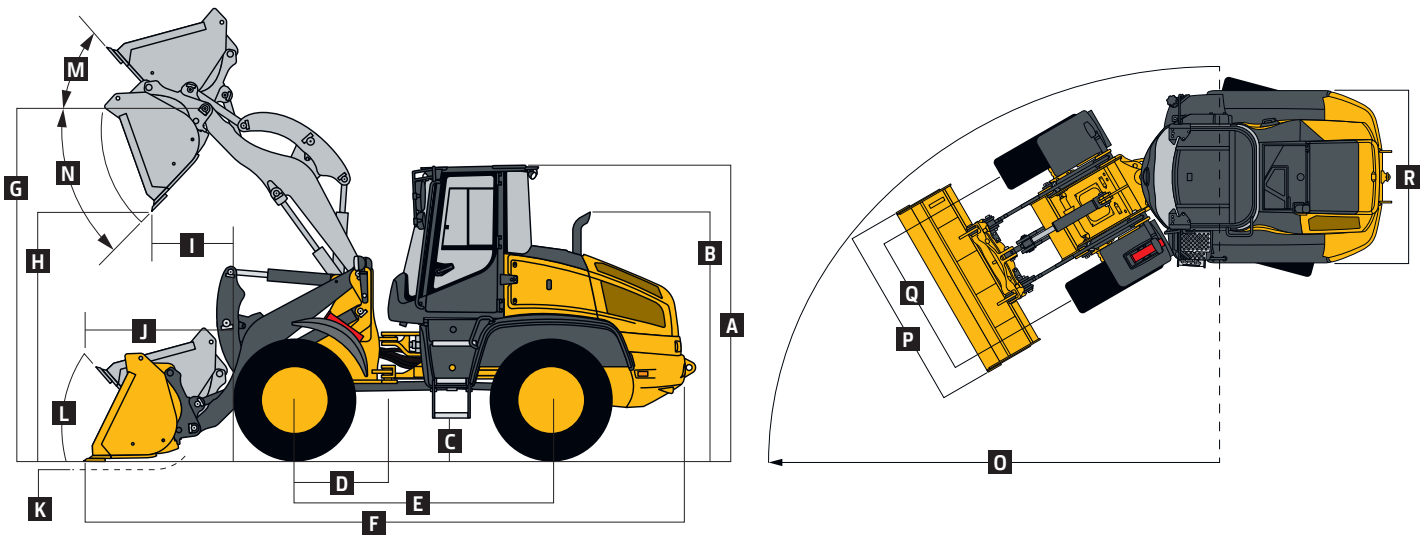
While general information, pictures, and descriptions are provided, some illustrations and text may include product options and accessories NOT AVAILABLE in all regions, and in some countries products and accessories may require modifications or additions to ensure compliance with the local regulations of those countries.

Operating Weights**344L**

Measured with standard equipment; 17.5R25EM, XHA2 L3 Michelin tires; standard counterweight; cab; 79-kg (175 lb.) operator; and full fuel tank

With 1.5-m³ (2.0 cu. yd.) Pin-On General-Purpose Bucket With Bolt-On Edge 8860 kg (19,533 lb.)With Quick-Coupler and 1.5-m³ (2.0 cu. yd.) General-Purpose Bucket With Bolt-On Edge 9070 kg (19,996 lb.)With Quick-Coupler and 2.0-m³ (2.6 cu. yd.) Light-Material Bucket With Bolt-On Edge 9250 kg (20,393 lb.)

Loader With Quick-Coupler and Fork 8930 kg (19,687 lb.)

Optional ComponentsBucket, 1.5 m³ (2.0 cu. yd.), Pin-On 660 kg (1,455 lb.)Bucket, 1.5 m³ (2.0 cu. yd.) 628 kg (1,385 lb.)Bucket, 2.0 m³ (2.6 cu. yd.) 757 kg (1,669 lb.)**Dimensions and Specifications With Pin-On Bucket****344L STANDARD-LINKAGE / HIGH-LIFT LINKAGE LOADERS WITH PIN-ON BUCKET****Dimensions With Pin-On Bucket***1.5-m³ (2.0 cu. yd.) general-purpose with bolt-on edge*

A	Height to Top of Cab	3.03 m (9 ft. 11 in.)
B	Height to Top of Exhaust	2.53 m (8 ft. 3 in.)
C	Ground Clearance	430 mm (16.9 in.)
D	Length From Centerline to Front Axle	1.15 m (3 ft. 9 in.)
E	Wheelbase	2.60 m (8 ft. 6 in.)
F	Overall Length, Bucket on Ground	6.30 m (20 ft. 8 in.)
G	Height to Hinge Pin, Fully Raised	3.72 m (12 ft. 2 in.)
H	Dump Clearance, 44-deg. Full Height	2.92 m (9 ft. 7 in.)
I	Reach, 44-deg. Dump, Full Height	820 mm (32.3 in.)
J	Reach, 44-deg. Dump, 2.13-m (7 ft.) Clearance	1.64 m (5 ft. 5 in.)
K	Maximum Digging Depth	75 mm (3 in.)
L	Maximum Rollback at Ground Level	48 deg.
M	Maximum Rollback, Boom Fully Raised	53 deg.
N	Maximum Bucket Dump Angle, Fully Raised	44 deg.
O	Turning Circle Radius Measured to Outside Corner of Bucket	4.43 m (14 ft. 6.5 in.)
P	Bucket Width	2.40 m (7 ft. 10 in.)
Q	Tread Width (standard) [§]	1869 mm (6 ft. 2 in.)
R	Width Over Tires (standard) [§]	2370 mm (7 ft. 9 in.)
	Loader Clearance Circle, Bucket Carry Position	8.86 m (29 ft. 1 in.)

[§]Also see **Tires/Wheels** section on page 6.

344L WHEEL LOADER SPECIFICATIONS (continued)

Dimensions and Specifications

With Pin-On Bucket (continued)

344L

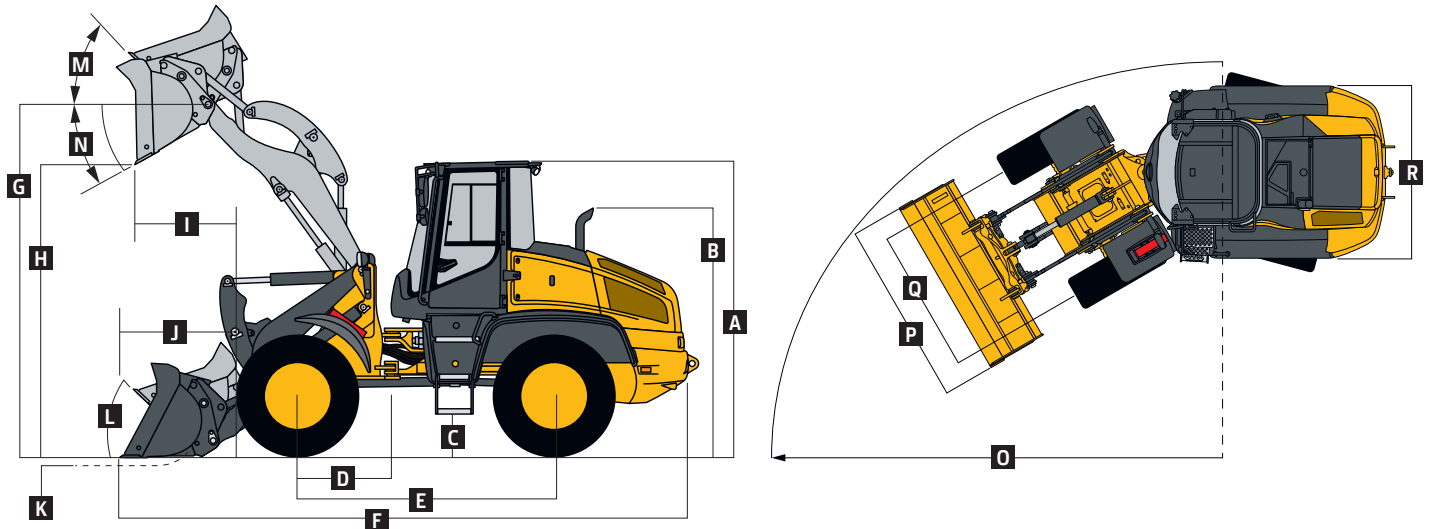
Specifications With Pin-On Bucket

1.5-m³ (2.0 cu. yd.) general-purpose with bolt-on edge

Capacity, Heaped	1.5 m ³ (2.0 cu. yd.)
Capacity, Struck	1.2 m ³ (1.6 cu. yd.)
Breakout Force	73 kN (16,411 lb.)
Tipping Load, Straight	6240 kg (13,757 lb.)
Tipping Load, Full Turn	5710 kg (12,588 lb.)
Rated Operating Load, 50% of Full-Turn Tipping Load (conforms to ISO 14397-1)*	2855 kg (6,294 lb.)

*Rated operating capacity based on Deere attachments only.

Dimensions and Specifications With Quick-Coupler and Bucket



344L STANDARD-LINKAGE / HIGH-LIFT-LINKAGE LOADERS WITH ISO QUICK-COUPLER AND BUCKET

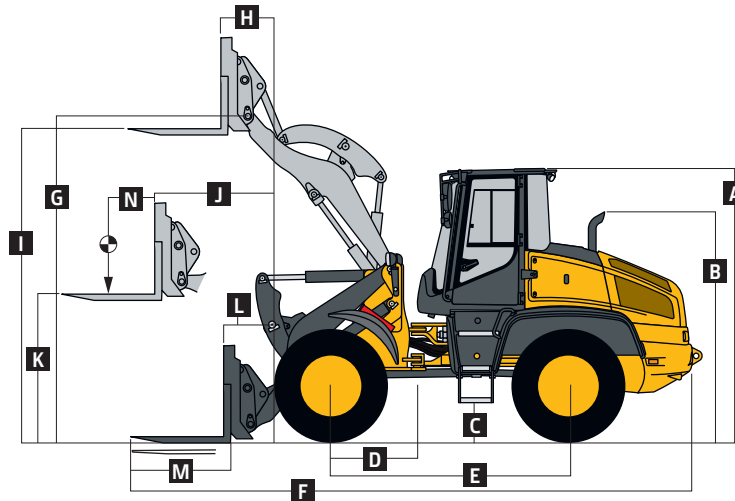
	Standard Linkage 1.5-m ³ (2.0 cu. yd.) general purpose with bolt-on edge	Standard Linkage 2.0-m ³ (2.6 cu. yd.) light material with bolt-on edge	High-Lift Linkage 1.5-m ³ (2.0 cu. yd.) general purpose with bolt-on edge	High-Lift Linkage 2.0-m ³ (2.6 cu. yd.) light material with bolt-on edge
Dimensions With Quick-Coupler and Bucket				
A Height to Top of Cab	3.03 m (9 ft. 11 in.)	3.03 m (9 ft. 11 in.)	3.03 m (9 ft. 11 in.)	3.03 m (9 ft. 11 in.)
B Height to Top of Exhaust	2.53 m (8 ft. 3 in.)	2.53 m (8 ft. 3 in.)	2.53 m (8 ft. 3 in.)	2.53 m (8 ft. 3 in.)
C Ground Clearance	430 mm (16.9 in.)	430 mm (16.9 in.)	430 mm (16.9 in.)	430 mm (16.9 in.)
D Length From Centerline to Front Axle	1.15 m (3 ft. 9 in.)	1.15 m (3 ft. 9 in.)	1.15 m (3 ft. 9 in.)	1.15 m (3 ft. 9 in.)
E Wheelbase	2.60 m (8 ft. 6 in.)	2.60 m (8 ft. 6 in.)	2.60 m (8 ft. 6 in.)	2.60 m (8 ft. 6 in.)
F Overall Length, Bucket on Ground	6.50 m (21 ft. 4 in.)	6.54 m (21 ft. 5 in.)	6.73 m (22 ft. 1 in.)	6.87 m (22 ft. 6 in.)
G Height to Hinge Pin, Fully Raised	3.72 m (12 ft. 2 in.)	3.72 m (12 ft. 2 in.)	4.01 m (13 ft. 2 in.)	4.01 m (13 ft. 2 in.)
H Dump Clearance, 44-deg. Full Height	2.84 m (9 ft. 4 in.)	2.75 m (9 ft. 0 in.)	3.12 m (10 ft. 3 in.)	3.02 m (9 ft. 11 in.)
I Reach, 44-deg. Dump, Full Height	905 mm (3 ft. 0 in.)	1010 mm (3 ft. 4 in.)	920 mm (3 ft. 0 in.)	1020 mm (3 ft. 4 in.)
J Reach, 44-deg. Dump, 2.13-m (7 ft.) Clearance	1.73 m (5 ft. 8 in.)	1.82 m (5 ft. 11 in.)	1.94 m (6 ft. 4 in.)	2.04 m (6 ft. 8 in.)
K Maximum Digging Depth	70 mm (2.8 in.)	70 mm (2.8 in.)	125 mm (4.9 in.)	125 mm (4.9 in.)
L Maximum Rollback at Ground Level	48 deg.	48 deg.	48 deg.	48 deg.
M Maximum Rollback, Boom Fully Raised	53 deg.	53 deg.	53 deg.	53 deg.
N Maximum Bucket Dump Angle, Fully Raised	44 deg.	44 deg.	44 deg.	44 deg.
O Turning Circle Radius Over Outside of Bucket Edge	4.57 m (14 ft. 11.5 in.)	4.59 m (15 ft. 0.5 in.)	4.62 m (15 ft. 2 in.)	4.74 m (15 ft. 6.5 in.)
P Bucket Width	2.40 m (7 ft. 10 in.)	2.50 m (8 ft. 2 in.)	2.40 m (7 ft. 10 in.)	2.50 m (8 ft. 2 in.)
Q Tread Width (standard) [§]	1869 mm (6 ft. 2 in.)	1869 mm (6 ft. 2 in.)	1869 mm (6 ft. 2 in.)	1869 mm (6 ft. 2 in.)
R Width Over Tires (standard) [§]	2370 mm (7 ft. 9 in.)	2370 mm (7 ft. 9 in.)	2370 mm (7 ft. 9 in.)	2370 mm (7 ft. 9 in.)
Loader Clearance Circle, Bucket Carry Position	9.13 m (29 ft. 11 in.)	9.18 m (30 ft. 1 in.)	9.24 m (30 ft. 4 in.)	9.48 m (31 ft. 1 in.)
[§] Also see Tires/Wheels section on page 6.				
Specifications With Quick-Coupler and Bucket				
Capacity, Heaped	1.5 m ³ (2.0 cu. yd.)	2.0 m ³ (2.6 cu. yd.)	1.5 m ³ (2.0 cu. yd.)	2.0 m ³ (2.6 cu. yd.)
Capacity, Struck	1.2 m ³ (1.6 cu. yd.)	1.6 m ³ (2.1 cu. yd.)	1.2 m ³ (1.6 cu. yd.)	1.6 m ³ (2.1 cu. yd.)
Breakout Force	64 kN (14,388 lb.)	59 kN (13,264 lb.)	63 kN (14,163 lb.)	59 kN (13,264 lb.)
Tipping Load, Straight	5850 kg (12,897 lb.)	5680 kg (12,522 lb.)	5150 kg (11,354 lb.)	4,955 kg (10,924 lb.)
Tipping Load, Full Turn	5350 kg (11,795 lb.)	5200 kg (11,464 lb.)	4700 kg (10,362 lb.)	4,535 kg (9,998 lb.)
Rated Operating Load, 50% of Full-Turn Tipping Load (conforms to ISO 14397-1)*	2675 kg (5,897 lb.)	2600 kg (5,732 lb.)	2350 kg (5,181 lb.)	2268 kg (4,999 lb.)

*Rated operating capacity based on Deere attachments only.

While general information, pictures, and descriptions are provided, some illustrations and text may include product options and accessories NOT AVAILABLE in all regions, and in some countries products and accessories may require modifications or additions to ensure compliance with the local regulations of those countries.

**Dimensions and Specifications
With Quick-Coupler and Fork**

344L



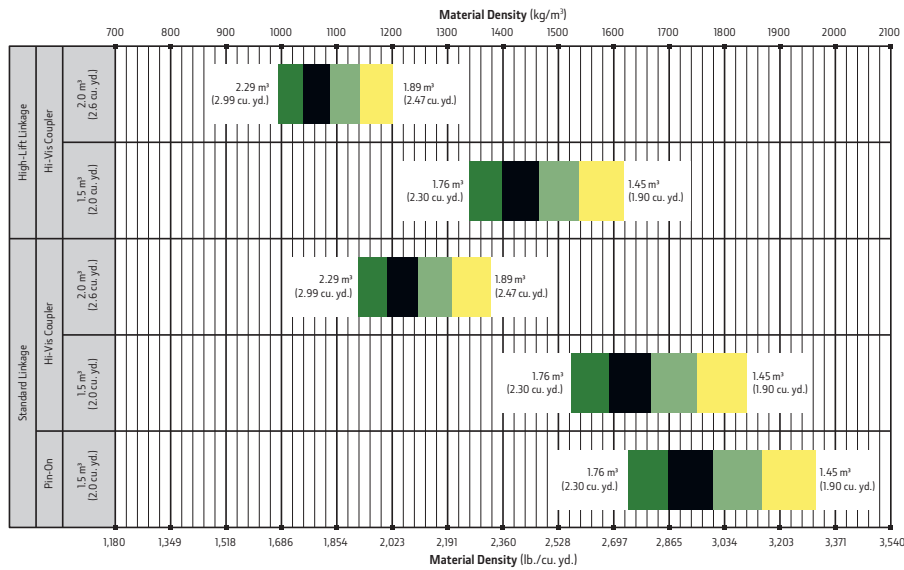
344L STANDARD-LINKAGE / HIGH-LIFT-LINKAGE LOADERS WITH ISO QUICK-COUPLER AND FORK

	<i>Standard Linkage 1.20-m (47.2 in.) tine length</i>	<i>High-Lift Linkage 1.20-m (47.2 in.) tine length</i>
Dimensions With Quick-Coupler and Fork		
A Height to Top of Cab	3.03 m (9 ft. 11 in.)	3.03 m (9 ft. 11 in.)
B Height to Top of Exhaust	2.53 m (8 ft. 3 in.)	2.53 m (8 ft. 3 in.)
C Ground Clearance	430 mm (16.9 in.)	430 mm (16.9 in.)
D Length From Centerline to Front Axle	1.15 m (3 ft. 9 in.)	1.15 m (3 ft. 9 in.)
E Wheelbase	2.60 m (8 ft. 6 in.)	2.60 m (8 ft. 6 in.)
F Overall Length, Forks on Ground	6.84 m (22 ft. 5 in.)	7.17 m (23 ft. 6 in.)
G Height to Hinge Pin, Fully Raised	3.72 m (12 ft. 2 in.)	4.01 m (13 ft. 2 in.)
H Reach, Fully Raised	615 mm (24.2 in.)	645 mm (25.4 in.)
I Fork Height, Fully Raised	3.58 m (11 ft. 9 in.)	3.87 m (12 ft. 8 in.)
J Maximum Reach, Fork Level	1.46 m (4 ft. 9 in.)	1.71 m (5 ft. 7 in.)
K Fork Height, Maximum Reach	1.75 m (5 ft. 9 in.)	1.73 m (5 ft. 8 in.)
L Reach, Ground Level	765 mm (30.1 in.)	1095 mm (43.1 in.)
M Tine Length	1.20 m (47.2 in.)	1.20 m (47.2 in.)
N Load Position, 50% Tine Length		
Specifications With Quick-Coupler and Fork	<i>As measured with fork level, centered on tine</i>	<i>As measured with fork level, centered on tine</i>
Tipping Load, Straight	4500 kg (9,921 lb.)	3980 kg (8,774 lb.)
Tipping Load, Full Turn	4120 kg (9,083 lb.)	3640 kg (8,025 lb.)
Rated Operating Load, 50% Full-Turn Tipping Load (conforms to ISO 14397-1 and SAE J1197)*	2060 kg (4,542 lb.)	1820 kg (4,012 lb.)
Rated Operating Load, Rough Terrain, 60% Full-Turn Tipping Load (conforms to EN474-3)*	2472 kg (5,450 lb.)	2185 kg (4,817 lb.)
Rated Operating Load, Firm and Level Ground, 80% Full-Turn Tipping Load (conforms to EN474-3)*	3296 kg (7,266 lb.)	2900 kg (6,393 lb.)
<i>*Rated operating capacity based on Deere attachments only.</i>		

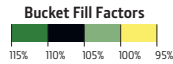
344L WHEEL LOADER SPECIFICATIONS (continued)

Bucket Selection Guide

344L



LOOSE MATERIALS		kg/m ³	lb./cu. yd.	LOOSE MATERIALS		kg/m ³	lb./cu. yd.
Chips, pulpwood	288	486	Limestone, coarse sized	1570	2,646		
Cinders (coal, ashes, clinkers)	673	1,134	Limestone, mixed sizes	1682	2,835		
Clay and gravel, dry	1602	2,700	Limestone, pulverized or crushed	1362	2,295		
Clay, compact, solid	1746	2,943	Sand, damp	2083	3,510		
Clay, dry in lump loose	1009	1,701	Sand, dry	1762	2,970		
Clay, excavated in water	1282	2,160	Sand, voids, full of water	2083	3,510		
Coal, anthracite, broken, loose	865	1,458	Sandstone, quarried	1314	2,214		
Coal, bituminous, moderately wet	801	1,350	Shale, broken crushed	1362	2,295		
Earth, common loam, dry	1218	2,052	Slag, furnace granulated	1955	3,294		
Earth, mud, packed	1843	3,105	Stone or gravel, 37.5 to 87.5-mm (1.5 to 3.5 in.) size	1442	2,430		
Granite, broken	1538	2,592	Stone or gravel, 18.75-mm (0.75 in.) size	1602	2,700		
Gypsum	2275	3,834					



While general information, pictures, and descriptions are provided, some illustrations and text may include product options and accessories NOT AVAILABLE in all regions, and in some countries products and accessories may require modifications or additions to ensure compliance with the local regulations of those countries.

Additional equipment

Key: ● Standard ▲ Optional or special

See your John Deere dealer for further information.

344L Engine

- Antifreeze, -37 deg. C (-34 deg. F)
- Coolant recovery tank
- Fan safety guard
- Fan, suction type, hydraulically driven, proportional speed
- Environmentally friendly engine oil drain
- Spin-on engine oil and fuel filter
- Engine oil cooler
- Quick-release fuel filter and water separator
- Under-hood dual-element air cleaner with restriction indicator with dust-evacuator valve
- Prescreened air intake
- Automatic glow plugs for cold start
- ▲ Engine coolant heater, 110 volts

Electrical

- Starter switch with electric fuel cutoff
- 12-volt system
- Electrical load center with blade-type fuses behind operator's seat
- Standard batteries (2), 12 volt with 1,700 CCA, 176-min. rated reserve
- Master electrical disconnect switch
- Alternator, 12 volts, 90 amps
- Horn (conforms to SAE J994 / J1446)
- Lights (conform to SAE 99): Driving / Front working (2) / Turn signals / Flashers / Stop / Taillights
- Worklights, rear (2)
- Reverse warning alarm (conforms to SAE J994 / J1446)
- Multifunction monitor with audible and visual warnings: Low engine oil pressure, engine coolant temperature, hydraulic oil temperature warning light, and parking brake indicator / Gauge and indicator: Engine coolant temperature gauge, fuel level gauge, speedometer, clock, and hour meter
- Diesel exhaust fluid (DEF) gauge
- Indicator lights: Engine air filter / Parking brake actuated / Forward/reverse travel / 1st- or 2nd-speed range / Turn signal and hazard lights / High-beam driving lights indicator / Battery voltage
- Pre-wired for roof beacon

Powertrain/Brakes

- Smooth AutoShift technology up to 40 km/h (25 mph)

344L Powertrain/Brakes (continued)

- Hydrostatic (HST) transmission: Electric shift control / Single-lever joystick F-N-R / HST oil cooler / Inching pedal / 2 speeds forward and reverse / Infinitely variable speed control
- Rimpull control
- Service brakes, hydraulically actuated, self-adjusting internal wet-disc brake and driveline drum brake
- Parking brake, spring applied, hydraulically released, switch operated
- Conventional-type rear differentials, 100% locking front differential

Hydraulic System

- Hydraulic fan for demand-based cooling
- Hydraulic system oil cooler
- Automatic bucket return-to-dig control
- Boom float detent
- Reservoir sight gauge for hydraulic/HST oil
- Fine-micron hydraulic filters, vertical mounting
- Hydraulic function lockout
- 2-function pressure-compensating hydraulic valve with pilot joystick control
- ▲ 3-function pressure-compensating hydraulic valve with pilot joystick control including auxiliary EH proportional control for 3rd function
- Quick-coupler diagnostic ports: Priority pressure / Hydraulic pump pressure / Control valve pressure / HST pressure

Operator's Station

- Cab (conforms to SAE J1040, SAE J231, ISO 3471, and ISO 3449): ROPS/FOPS / Heater/defroster / Rubber-plane isolation mounted for noise/vibration reduction / Intermittent front and rear windshield wipers and washers / Tinted safety glass / Adjustable sun visor / Mid-back cloth seat with mechanical suspension / 51-mm (2 in.) retractable seat belt / Full swing-out left and right doors with sliding window in left door
- ▲ Premium air-ride high-back heated seat with headrest and dual lumbar control
- Radio-ready cab, fused 12-volt radio electrical lead and speakers, and power port
- ▲ AM/FM/Weather-Band (WB) radio

344L Operator's Station (continued)

- Air conditioning
- Storage compartment for operator's manual and other items located under operator seat and 2 options left of operator seat
- Rubber floor mat
- Dual tilt and telescoping steering column
- Rearview mirrors, outside (2) and inside (1) (conform to SAE J985)
- Handholds and steps, ergonomically located and slip resistant (conform to SAE J185)
- ▲ 76-mm (3 in.) retractable seat belt

Loader Linkage

- Z-Bar loader linkage provides high bucket breakout
- ▲ High-Lift linkage
- Loader boom service locking bar (conforms to SAE J38)

Buckets and Attachments

- ▲ Full line of buckets with bolt-on cutting edges
- ▲ ISO-style quick-coupler
- ▲ Pallet forks

Tires

- 17.5R25EM, Goodyear SGL-D/L 2A, 12 PR 4S
- ▲ 17.5R25EM, XHA2 L3 Michelin
- ▲ 17.5R25 VUT L2 Bridgestone
- ▲ 17.5R25EM, XTLA L2 Michelin

Other

- ▲ LED worklights (spot or flood)
- ▲ Hydraulic reversing fan
- ▲ Front window guard
- Fenders, front and rear
- Articulation locking bar (conforms to SAE J276)
- Vandal protection, includes lockable engine enclosure and fuel fill
- Cast rear counterweight
- Drawbar, with locking pin
- Lift eyes
- Tie-downs
- ▲ Fire extinguisher
- ▲ Material-weighing system[†]
- ▲ Ride control
- ▲ Rear machine guard
- ▲ Fuel tank guard

*See your John Deere dealer for further information.

[†]Contact LOAD-RITE™.

While general information, pictures, and descriptions are provided, some illustrations and text may include product options and accessories NOT AVAILABLE in all regions, and in some countries products and accessories may require modifications or additions to ensure compliance with the local regulations of those countries.

Net engine power is with standard equipment including air cleaner, exhaust system, alternator, and cooling fan, at standard conditions per SAE J1349 and DIN 70 020, using No. 2-D fuel at test conditions specified per ISO 9249. No derating is required up to 3050-m (10,000 ft.). Gross power is without cooling fan. Specifications and design subject to change without notice. Wherever applicable, specifications are in accordance with SAE standards. Except where otherwise noted, these specifications are based on a unit with all standard equipment, ROPS cab, 17.5R25EM, Goodyear SGL-D/L 2A, 12 PR 4S tires, full fuel tank, air conditioning off, and 79-kg (175 lb.) operator.



DKA344LDR (22-10)



JOHN DEERE