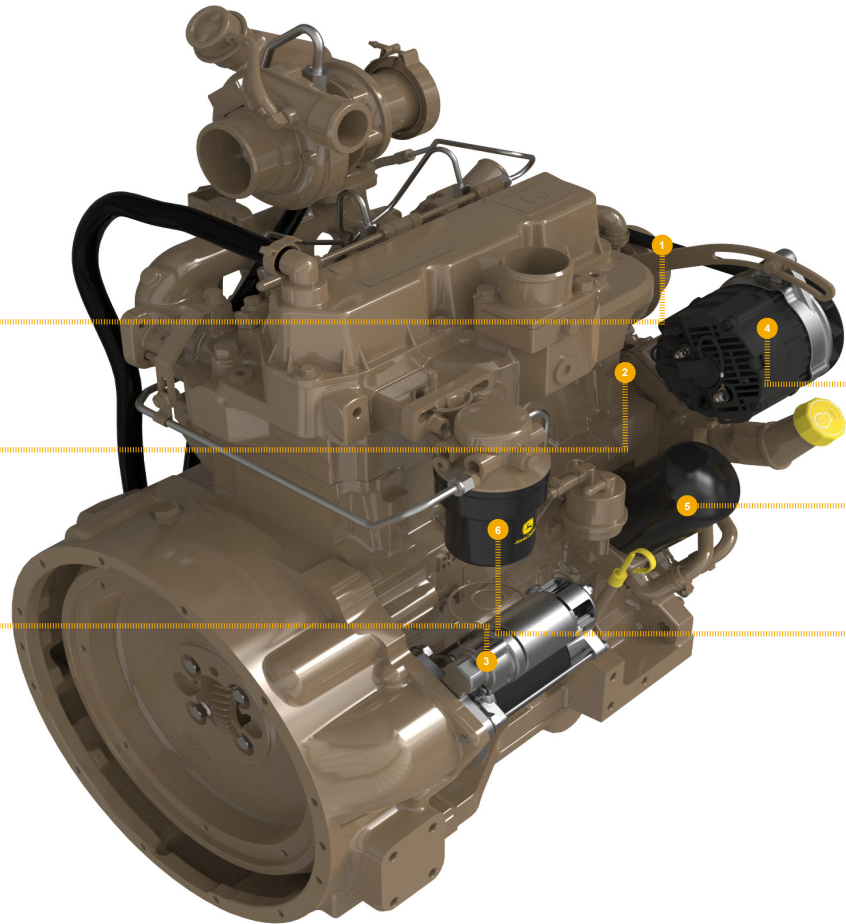




REPLACEMENT PART GUIDE

3029HFG20 PowerTech PVX 2.9L Gen Set OEM Engine (Non-Certified)



FAN BELT

[T24473](#) (LGTH = 1295 mm) (2402)
[R97758](#) (LGTH = 1232 mm) (24KV)



CRANKSHAFT PULLEY

[DZ108524](#) (OD = 177.5 mm) (1346)
[R534716](#) (1348)



STARTER

[RE519568](#) (12 V, 3.2 KW) (3085)
[RE546868](#) (ISKRA, 12 V, 3.2 KW) (30BA)
[RE552251](#) (ISKRA, 24 V, 3.5 KW) (30CA)
[RE552252](#) (ISKRA, 24 V) (30CB)



ALTERNATOR

[RE509106](#) (ISKRA, 14 V, 65 A) (3132)
[RE544045](#) (ISKRA, 28 V, 50 A) (3131)



OIL FILTER

[RE519626](#) (5926, 59AC)
500 hrs of operation or every 12 months.



FUEL FILTER

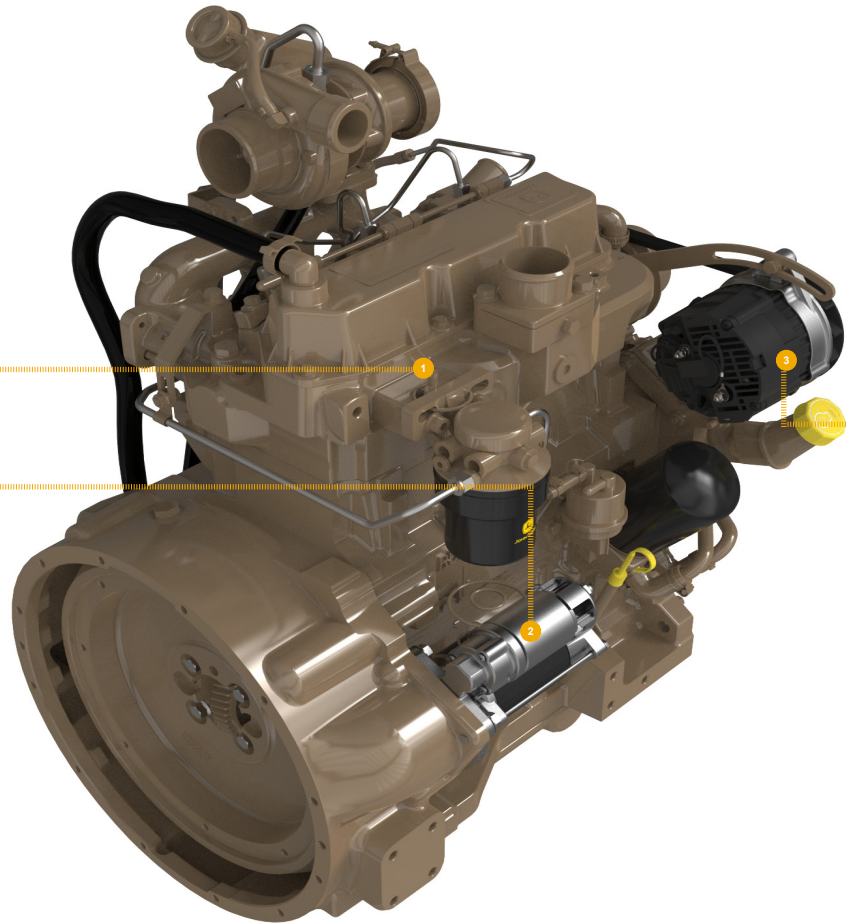
[RE60021](#) (35JT)
500 hrs of operation or every 12 months.





REMAN PARTS GUIDE

3029HFG20 PowerTech PVX 2.9L Gen Set OEM Engine (Non-Certified)



CONNECTING ROD

[SE501573](#) (REMAN FOR [RE501675](#)) (4890)



STARTER MOTOR

[SE501869](#) (REMAN FOR [RE519568](#))
(12 V, 3.2 KW) (3085, 9901)



ALTERNATOR

[SE501835](#) (REMAN FOR [RE509106](#))
(ISKRA, 14 V, 65 A) (3132)



JOHN DEERE
Genuine Parts and Service