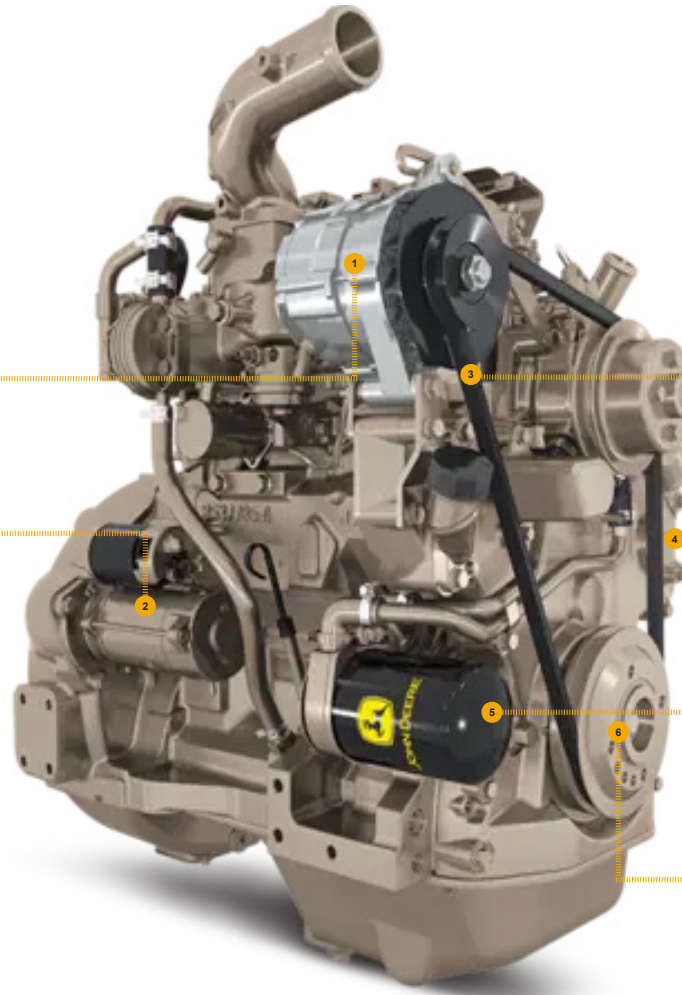


# REPLACEMENT PART GUIDE

## PowerTech 2.9L 3029HFG03 Genset (FT4) Engine



### ALTERNATOR

[RE509106](#) (12V; 65A) (31AX)  
[RE544045](#) (28V; 50A) (31AY)



### STARTER

[RE519568](#) (12V; 3.2KW) (3085) (30BA)  
[RE552251](#) (24V) (30CA) (30CB)



### SHORT BLOCK ASSEMBLY

[DZ109615](#) MARKED R537785



### FAN BELT

[R505792](#) (LGTH = 1375mm) (24BR)  
[R87153](#) (LGTH = 1390mm) (2416)



### FUEL FILTERS

[R536698](#) (35D8) (35H5)  
500 Hours of Operation or Every 12 Months.



### OIL FILTER

[RE519626](#) (5966) (5984) (5985) (5980)  
500 Hours of Operation or Every 12 Months.



### CRANKSHAFT PULLEY & DAMPER

[DZ108451](#) (OD = 171mm) (1350)

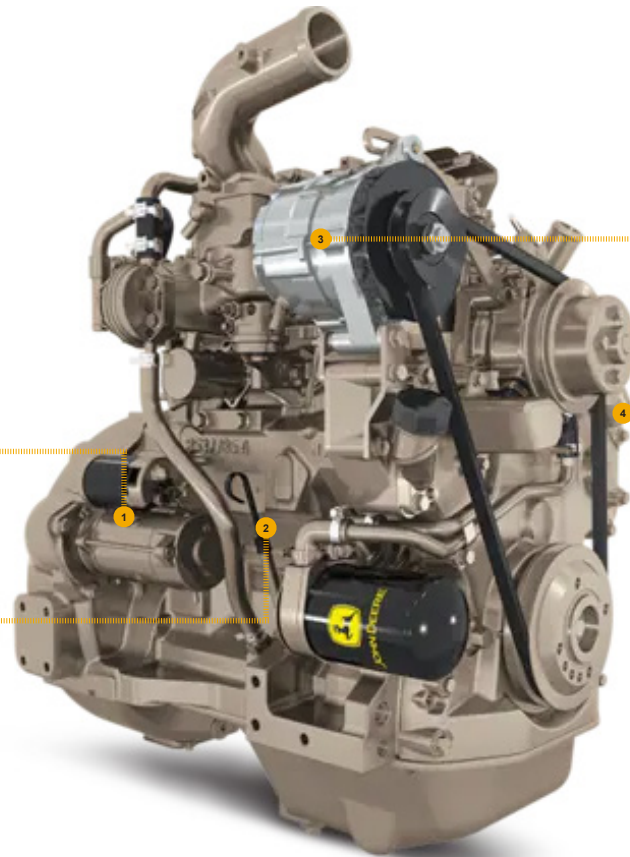


**JOHN DEERE**  
Genuine Parts and Service



# REMAN PARTS GUIDE

## PowerTech 2.9L 3029HFG03 Genset (FT4) Engine



### STARTER



[SE501869](#) (REMAN FOR [RE519568](#)) (12V, 2.5KW) (3085)  
[RM100156](#) (REMAN FOR [RE533976](#)) (12V) (30CR)  
[RM100156](#) (REMAN FOR [RE553507](#))(12V) (30CR)

### CONNECTING ROD



[SE501571](#) (REMAN FOR [RE501674](#)) (4881)

### ALTERNATOR



[SE501835](#) (REMAN FOR [RE509106](#)) (14V, 56A) (31AX)

### CONTROLLER



[SE503035](#) (REMAN FOR [RE551416](#)) (84GR, 84HB, 84HH)



**JOHN DEERE**  
Genuine Parts and Service