

REPLACEMENT PART GUIDE

4024HF295 PowerTech E 2.4L OEM Engine



ALTERNATOR

- [RE529377](#) (12 V, 70 A) (3102)
- [AH165975](#) (BOSCH, 12 V, 120 A) (3103)
- [RE522401](#) (24 V, 50 A) (3104)
- [RE509080](#) (DENSO, 12 V, 65 A) (3105)

CRANKSHAFT PULLEY

- [RE520244](#) (OD = 160 mm) (1302) (1301)
- [RE523315](#) (OD = 160 mm) (1304)

FAN PULLEY

- [R505808](#) (OD = 140 mm) (8601)
- [R516401](#) (OD = 127 mm) (8602)
- [R516400](#) (OD = 160 mm) (8603)
- [R520415](#) (OD = 145.94 mm) (8604)
- [R520414](#) (OD = 165.94 mm) (8605)
- [R520462](#) (OD = 132.94 mm) (8606)

FUEL FILTER

- [RE533026](#) (3518) (3522) (3540) (3542) (3535) (3526) (3525)

500 hrs of operation or every 12 months.

OCV FILTER

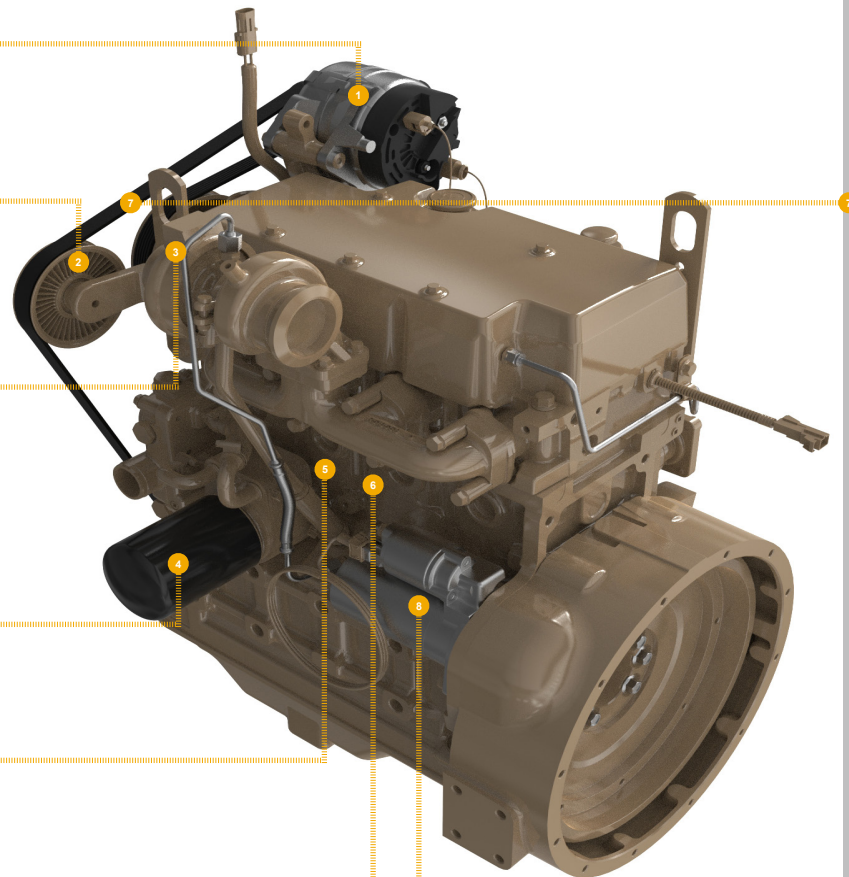
- [RE532907](#) (2904, 2909)

500 hrs of operation or every 12 months.

OIL FILTER

- [RE519626](#) (8801)

500 hrs of operation or every 12 months.



FAN BELT

- [DZ118741](#) (LGTH = 2340 mm) (2402) (2404)
- [DZ118732](#) (LGTH = 2365 mm) (2401) (2409)
- [DZ118729](#) (LGTH = 2325 mm) (2403) (2411)
- [DZ119646](#) (LGTH = 2415 mm) (2405, 2427)
- [DZ118737](#) (LGTH = 2490 mm) (2406)
- [DZ118735](#) (LGTH = 2460 mm) (2413) (2428)
- [DZ118736](#) (LGTH = 2480 mm) (2417)
- [R523007](#) (LGTH = 2370 mm) (2419, 2422)
- [DZ118743](#) (LGTH = 2415 mm) (2426)
- [R527924](#) (LGTH = 2645 mm) (2430) (2444)
- [DZ118646](#) (LGTH = 2600 mm) (2431)
- [R527925](#) (LGTH = 2650 mm) (2432)
- [DZ118747](#) (LGTH = 2675 mm) (2433)
- [R527917](#) (LGTH = 2570 mm) (2434)
- [DZ118745](#) (LGTH = 2635 mm) (2435) (2454)
- [R527930](#) (LGTH = 2715 mm) (2436) (2447)
- [R527918](#) (LGTH = 2580 mm) (2437) (2442)
- [DZ118740](#) (LGTH = 2590 mm) (2438)
- [DZ118746](#) (LGTH = 2670 mm) (2439)
- [R527935](#) (LGTH = 2850 mm) (2440)
- [DZ118744](#) (LGTH = 2610 mm) (2441)
- [R527922](#) (LGTH = 2620 mm) (2443)
- [DZ118748](#) (LGTH = 2680 mm) (2445)
- [R527929](#) (LGTH = 2690 mm) (2446)
- [R527931](#) (LGTH = 2755 mm) (2448, 2450)
- [R527932](#) (LGTH = 2775 mm) (2451)
- [R527934](#) (LGTH = 2815 mm) (2452) (2455)
- [R527933](#) (LGTH = 2790 mm) (2453)

STARTER

- [RE540304](#) (12 V, 2.2 KW) (3002)
- [RE540305](#) (ISKRA, 24 V, 3.0 KW) (3003)
- [RE540303](#) (12 V, 2.6 KW) (3007)



REMAN PARTS GUIDE

4024HF295 PowerTech E 2.4L OEM Engine

TURBOCHARGER



- [SE502477](#) (REMAN FOR [RE530366](#)) (6533)
- [SE502482](#) (REMAN FOR [RE530407](#)) (6544)
- [SE502490](#) (REMAN FOR [RE532722](#)) (6556)
- [SE502497](#) (REMAN FOR [RE533601](#)) (6552)

CONNECTING ROD



- [SE501898](#) (REMAN FOR [RE504544](#)) (4814)

FUEL INJECTION NOZZLE



- [SE501961](#) (REMAN FOR [RE528525](#)) (1645)
- [SE501962](#) (REMAN FOR [RE529390](#)) (1662)
- [SE501960](#) (REMAN FOR [RE534960](#)) (1645)

WATER PUMP

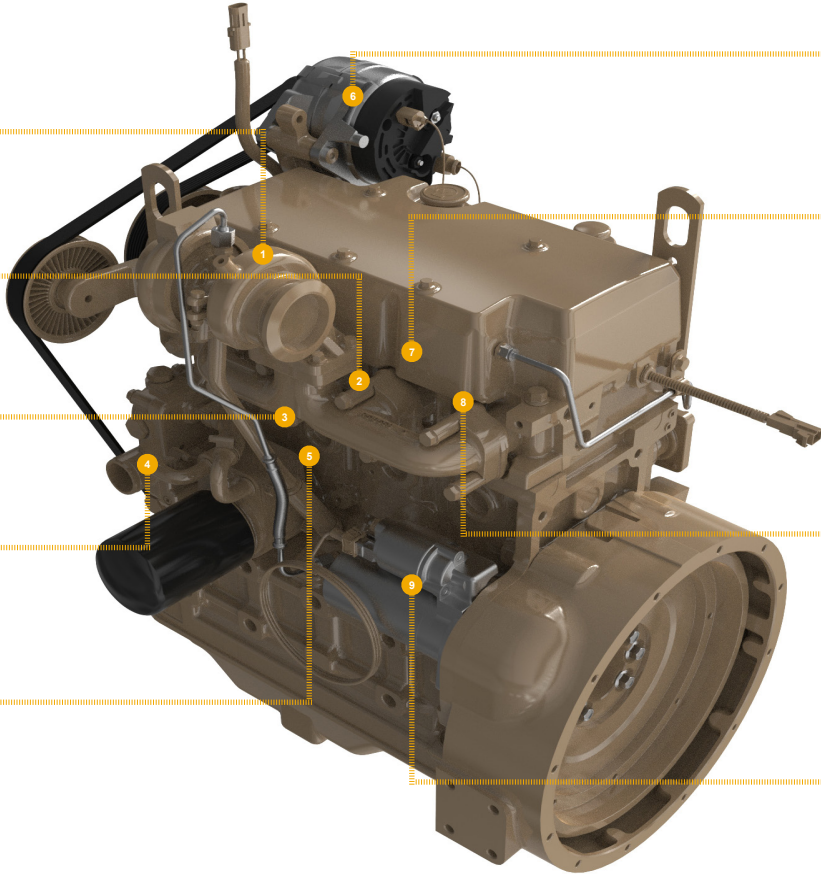


- [SE502114](#) (REMAN FOR [RE507604](#)) (2001)
- [SE502115](#) (REMAN FOR [RE518520](#)) (2002)

ENGINE CONTROLLER



- [SE502950](#) (REMAN FOR [RE528702](#)) (12V) (7283)
- [SE502951](#) (REMAN FOR [RE528703](#)) (24V) (72AE)



ALTERNATOR



- [SE501343](#) (REMAN FOR [AH165975](#)) (12 V, 120 A) (3103)
- [SE501831](#) (REMAN FOR [RE529377](#)) (12 V, 70 A) (3102)

CYLINDER HEAD



- [SE501606](#) (REMAN FOR [RE535827](#)) (5105)

COMPLETE BLOCK ASSEMBLY

- [RM10023](#) (REMAN FOR [RE536712](#)) (WITH BALANCER SHAFTS)
- [RM10024](#) (WITHOUT BALANCER SHAFTS) (ORDER WHEN 7TH DIGIT OF ENGINE SERIAL NUMBER TO BE REPLACED IS "R") ORDER FOR PE4024RXXXXXX SERIAL NUMBERS; FOR OPTION CODE 4615)
- [SE502102](#) (REMAN FOR [RE536714](#)) (WITHOUT BALANCER SHAFTS)
- [SE502101](#) (REMAN FOR [RE536712](#)) (WITH BALANCER SHAFTS)



STARTER



- [RM100157](#) (REMAN FOR [RE508922](#)) (BOSCH, 12 V, 2.2 KW) (3002)
- [RM100034](#) (REMAN FOR [RE540303](#)) (ISKRA, 12 V, 2.6 KW) (3007)