

REPLACEMENT PART GUIDE

4024DFN70 PowerTech 2.4L Engine



ALTERNATOR

[RE529377](#) (12V, 70A) (3102)



STARTER MOTOR

[RE540304](#) (3001, 3002)



CRANKSHAFT PULLEY

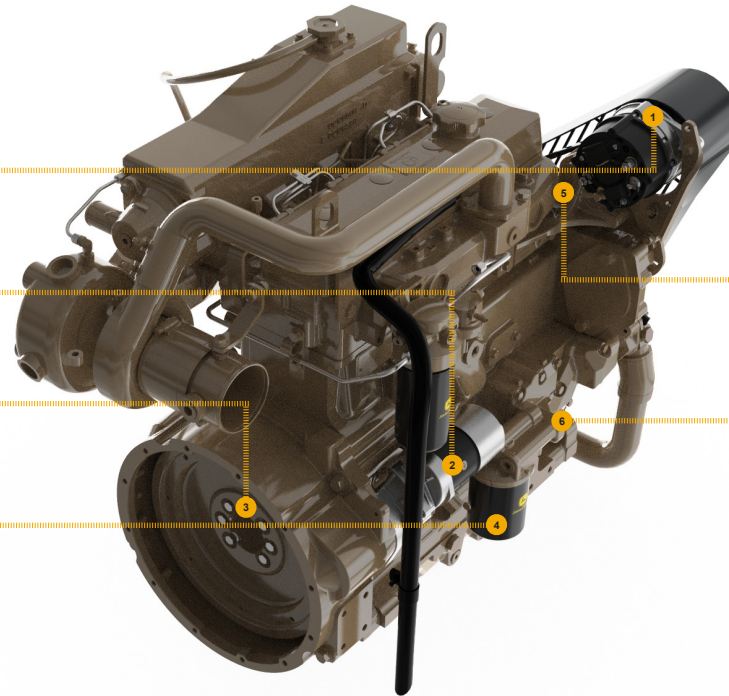
[RE520244](#) (OD = 140 mm) (1302)



OIL FILTER

[RE519626](#) (8801)

Replace 500 Hours of Operation or Every 12 Months.



FAN PULLEY

[R524936](#) (OD = 128 mm) (8607)



FAN BELT

[DZ118735](#) (LGTH = 2460 mm) (2413)

[R524885](#) (LGTH = 1450 mm) (2429)



JOHN DEERE
Genuine Parts and Service

REMAN PARTS GUIDE

4024DFN70 PowerTech 2.4L Engine



ALTERNATOR

[SE501831](#) (REMAN FOR [RE529377](#))
(12V, 70A) (3102)

1



WATER PUMP

[SE502115](#) (REMAN FOR [RE545572](#)) (2002)

2



CONNECTING RODS

[SE501898](#) (REMAN FOR [RE544411](#)) (4807)

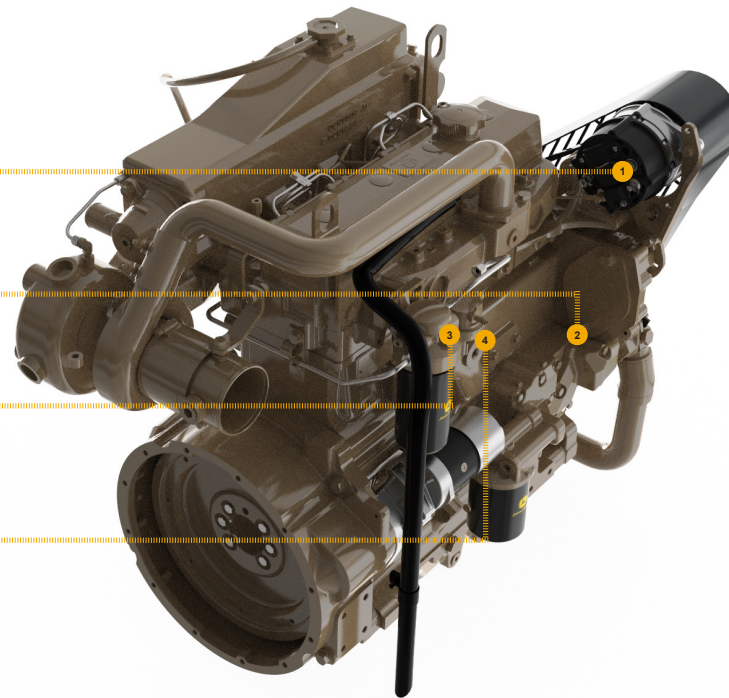
3



COMPLETE BLOCK ASSEMBLY

[RE539803](#) (MARKED [R522220](#))

4



JOHN DEERE
Genuine Parts and Service