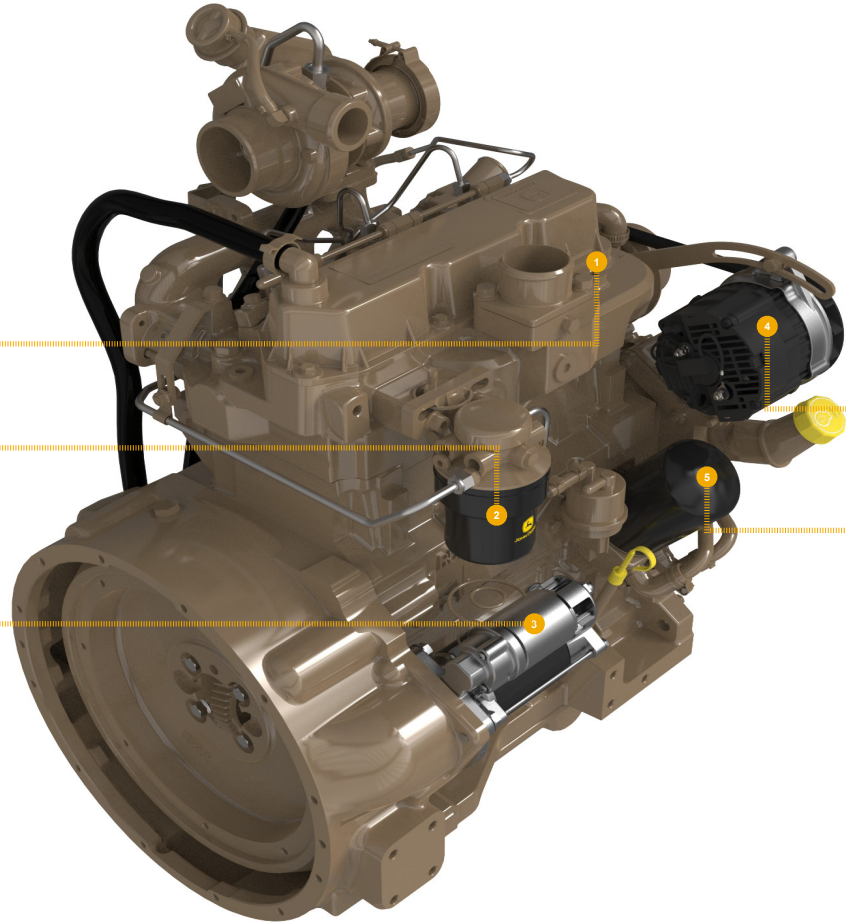




REPLACEMENT PART GUIDE

4039DF007 PowerTech 3.9L (12-24V 1500RPM) Genset OEM SDMO Engine



FUEL FILTER

[RE60021](#) (3567)

500 hrs of operation or every 12 months.



FAN PULLEY

[R110081](#) (OD = 154 mm) (2308)



STARTER

[RE62672](#) (3009, 3026)

[RE523502](#) (ISKRA, 12 V, 4.2 KW)
(3009, 3065)

[RE528929](#) (ISKRA, 24 V) (3026)

[RE508169](#) (3065)



ALTERNATOR

[RE509106](#) (ISKRA, 14 V, 65 A) (3106)

[RE544045](#) (ISKRA, 28 V, 50 A) (3119)



OIL FILTER

[T19044](#) (5999)

500 hrs of operation or every 12 months.



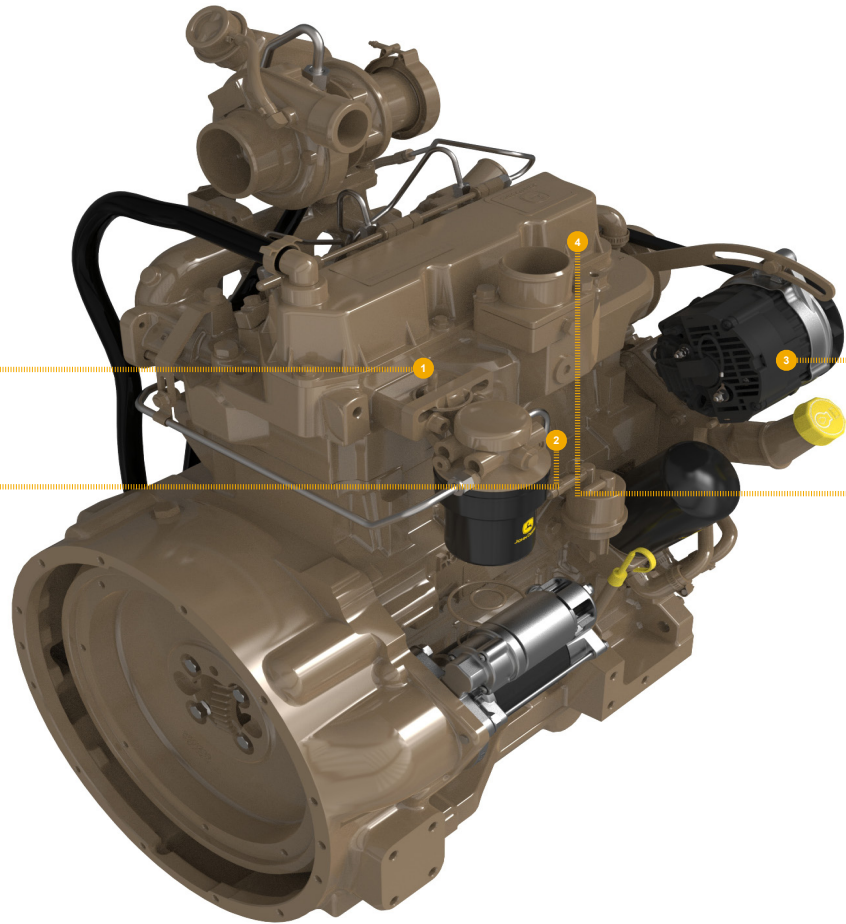
JOHN DEERE

Genuine Parts and Service



REMAN PARTS GUIDE

4039DF007 PowerTech 3.9L (12-24V 1500RPM) Genset OEM SDMO Engine



CONNECTING ROD

[SE500747](#) (REMAN FOR [RE21076](#)) (4802)



INJECTION NOZZLE

[SE501098](#) (REMAN FOR [RE36936](#)) (1699B)

[SE501097](#) (REMAN FOR [RE38087](#)) (1699B)



ALTERNATOR

[SE501828](#) (REMAN FOR [RE506197](#))
(12 V, 55 A) (3106)



CYLINDER HEAD

[SE501585](#) (REMAN FOR [RE48615](#)) (5101)



JOHN DEERE
Genuine Parts and Service