



REPLACEMENT PART GUIDE

4045HF485 PowerTech Plus 4.5L OEM Motor



FINAL FUEL FILTER

[RE522878](#) (35DW, 35EJ)

PRIMARY FUEL FILTER

[RE541922](#) (8161, 8174, 8187, 81BP)

500 hrs of operation or every 12 months

STARTER

[RE506105](#) (12 V, 4.8 KW) (3056)

[RE70474](#) (12 V, 4.8 KW) (3010)

[RE70961](#) (24 V, 7.0 KW) (3001)

[RE70957](#) (12 V) (3006)

[RE523502](#) (ISKRA, 12 V) (3084)

[DZ110083](#) (ISKRA, 24 V, 4 KW) (3096)

[DZ129200](#) (12 V, 2.5 KW) (3005)

[RE540300](#) (12 V, 7 KW) (3007)

[RE540302](#) (12 V, 2.5 KW) (3012)

[DZ110082](#) (24 V, 4 KW) (3092)

[RE506103](#) (24 V, 7.8 KW) (3057)

[RE546868](#) (ISKRA, 12 V, 3.2 KW) (30BA)

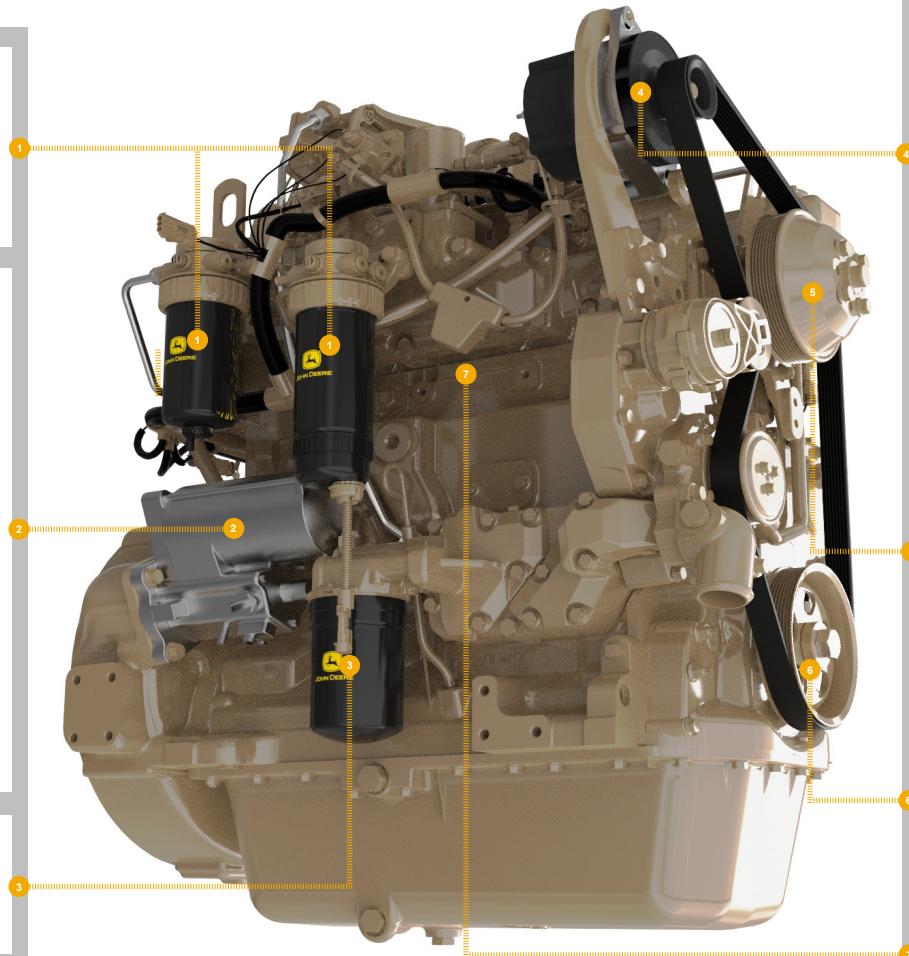
[RE501060](#) (24 V) (3041)



OIL FILTER

[RE504836](#) (88OY) (8842) (8843) (8847)
(8847) (8848) (8849) (8860)

500 hrs of operation or every 12 months.



ALTERNATOR

[RE537146](#) (ISKRA, 28 V, 50 A) (3142)

[RE533654](#) (ISKRA, 12 V, 95 A) (3141)

[RE533653](#) (ISKRA, 12 V, 95 A) (3140)

[AXE28087](#) (12 V, 185 A) (3146)

[DZ117503](#) (24 V, 140 A) (3147)

[AXE17691](#) (12 V, 200 A) (3151)

[AT387574](#) (24 V, 100 A) (3152)

[RE533516](#) (12 V, 75 A) (3138)



FAN PULLEY

[R128658](#) (OD = 145 mm) (8607, 8610, 8629)

[R128660](#) (OD = 168 mm) (8611, 8632)

[R128660](#) (OD = 173 mm) (8602, 8605, 8608)

[R128662](#) (OD = 203 mm) (8606, 8609, 8612, 8630)

[R128659](#) (OD = 154 mm) (8649, 8650, 8652, 8654, 8657)

[R128661](#) (OD = 183.5 mm)
(8653, 8655, 8658)

[R522890](#) (OD = 235 mm) (8656, 8659)

[R128658](#) (OD = 140 mm) (8601, 8604, 8648)

[R128661](#) (OD = 188 mm) (8651)



CRANKSHAFT PULLEY

[RE508577](#) (OD = 264 mm) (1323)



SHORT BLOCK ASSEMBLY

[RE536966](#) (ALSO ORDER [RE536968](#))
(MARKED R534172) (9901,4634)

[DZ115535](#) (USE WITH LINER [DZ112590](#))
(MARKED R534172) (4634)



JOHN DEERE

Genuine Parts and Service

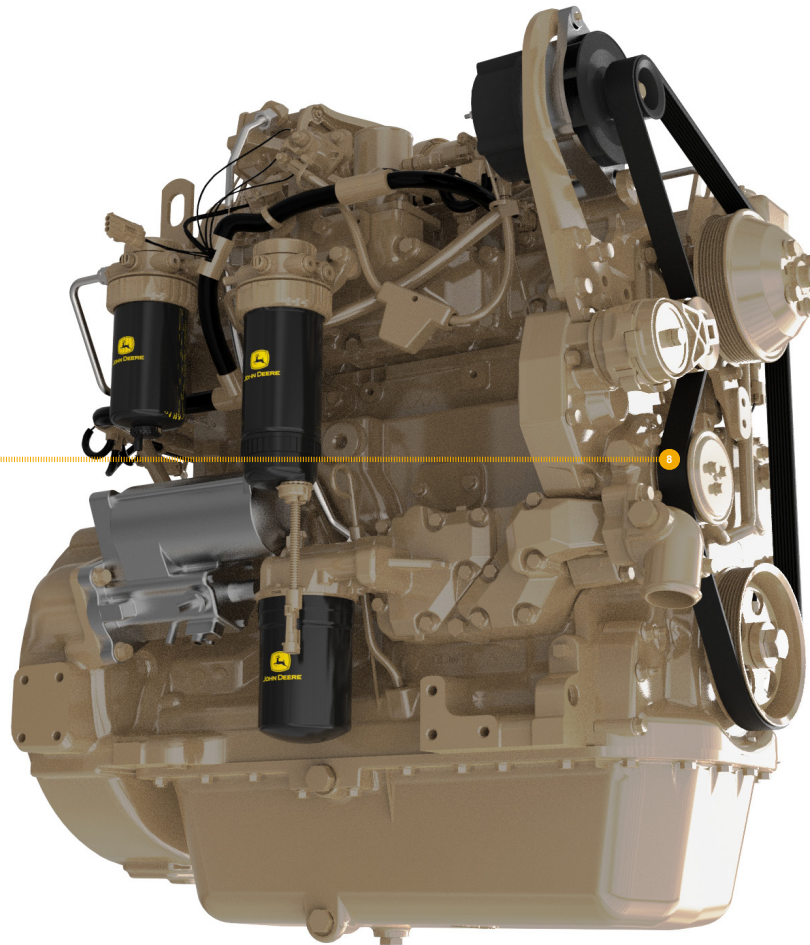


REPLACEMENT PART GUIDE

4045HF485 PowerTech Plus 4.5L OEM Motor

FAN BELT

- [DZ123507](#) (LGTH = 1730 mm) (24EW)
- [DZ114929](#) (LGTH = 1655 mm) (24FK, 24FS)
- [DZ119385](#) (LGTH = 1650 mm) (24LA)
- [DZ118650](#) (LGTH = 1820 mm) (24LA)
- [DZ119530](#) (LGTH = 1675 mm) (24EH)
- [DZ115812](#) (LGTH = 1680 mm)
(24EK, 24EQ, 24MX)
- [DZ118826](#) (LGTH = 1750 mm) (24EX)
- [T428825](#) (LGTH = 1650 mm) (24FG, 24FM)
- [DZ118801](#) (LGTH = 1720 mm) (24FJ)
- [T437054](#) (LGTH = 2255 mm) (24FQ)
- [DZ119025](#) (LGTH = 2365 mm) (24FQ)
- [T428692](#) (LGTH = 1665 mm) (24FS, 24FU)
- [DZ119018](#) (LGTH = 2395 mm) (24FV)
- [DZ118783](#) (LGTH = 1685 mm) (24FX)
- [DZ118815](#) (LGTH = 1725 mm) (24FY)
- [H166870](#) (LGTH = 2355 mm) (24FZ)
- [T428836](#) (LGTH = 2355 mm) (24FZ)
- [DZ117267](#) (LGTH = 1690 mm) (24GF)
- [DZ118781](#) (LGTH = 1700 mm) (24GG)
- [T437055](#) (LGTH = 2325 mm) (24GQ)
- [DZ119649](#) (LGTH = 2435 mm) (24GQ)
- [H205240](#) (LGTH = 2405 mm) (24GU)
- [R522839](#) (LGTH = 2440 mm) (24GU, 24GW)
- [DZ119034](#) (LGTH = 2455 mm) (24GW)
- [T429109](#) (LGTH = 1660 mm) (24FN)
- [DZ117266](#) (LGTH = 1705 mm) (24GH)
- [T428869](#) (LGTH = 2310 mm) (24GA)
- [R523152](#) (LGTH = 2425 mm) (24GA)
- [DZ119063](#) (LGTH = 1563 mm) (24VM)



REMAN PARTS GUIDE

4045HF485 PowerTech Plus 4.5L OEM Motor



CONNECTING ROD



[SE501094](#) (REMAN FOR [RE500608](#)) (4835)

COMPRESSOR



[SE503065](#) (REMAN FOR [AH169875](#))
(12 V) (7425)

[SE503064](#) (REMAN FOR [AT172975](#))
(24 V) (7424)

FUEL INJECTION PUMP



[SE501915](#) (REMAN FOR [RE507959](#))
(16P2, 169D)

INJECTION NOZZLE



[SE501926](#) (REMAN FOR [DZ100217](#))
(16P2) (169D)

STARTER

[SE502286](#) (REMAN FOR [DZ110082](#))
(ISKRA) (24 V, 4 KW) (3092)

[SE501406](#) (REMAN FOR [RE501150](#))
(24 V) (3041)

[SE501866](#) (REMAN FOR [RE506103](#))
(24 V) (3057)

[SE501853](#) (REMAN FOR [RE506105](#))
(12 V) (3056)

[SE502632](#) (REMAN FOR [RE523502](#))
(ISKRA, 12 V, 4 KW) (3084)

[SE501401](#) (REMAN FOR [RE540301](#))
(12 V, 2.5 KW) (3005)

[SE501426](#) (REMAN FOR [RE540302](#))
(12 V, 2.5 KW)(3012)

[SE501402](#) (REMAN FOR [RE68470](#) AND
[RE540300](#)) (12 V, 2.7 KW) (3007)

[SE501405](#) (REMAN FOR [RE70474](#) AND
[RE70960](#)) (3010)

[SE501403](#) (REMAN FOR [RE70957](#)) (3006)

[SE501407](#) (REMAN FOR [RE70961](#))
(24 V) (3001)

CYLINDER HEAD



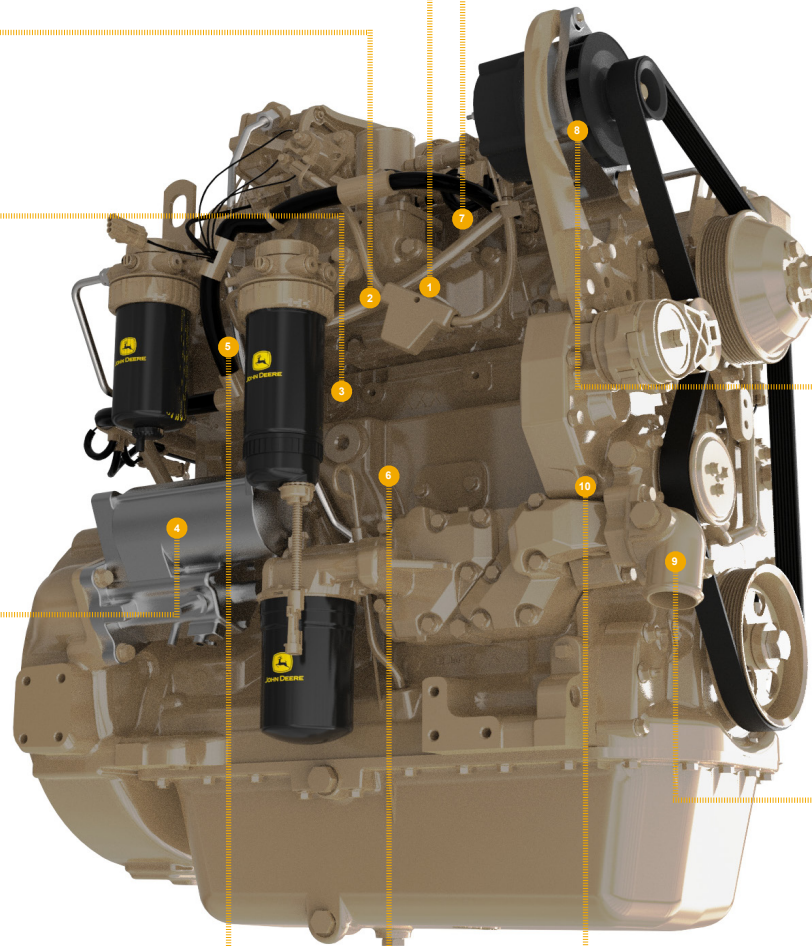
[SE501807](#) (REMAN FOR [RE553422](#)) (5121)

CONTROLLER



[SE502801](#) (REMAN FOR [RE520953](#)) (16P2)

[SE502800](#) (REMAN FOR [RE531808](#))
(16P2, 169D)



TURBOCHARGER



[SE502362](#) (REMAN FOR [DZ108164](#)) (65MW)

[SE502422](#) (REMAN FOR [DZ108165](#)) (65PN)

[SE502218](#) (REMAN FOR [RE548726](#)) (65QA)

ALTERNATOR

[SE501342](#) (REMAN FOR [AH137883](#)) (3140)
(NOT ILLUSTRATED; DOES
NOT INCLUDE FAN AND
PULLEY) (BOSCH, 12 V, 95 A)

[SE501343](#) (REMAN FOR [AH165975](#))
(BOSCH, 12 V, 120 A) (3141)

[SE501838](#) (REMAN FOR [AT387574](#))
(BOSCH, 24 V, 100 A) (3152)

[SE501826](#) (REMAN FOR [AXE17691](#))
(12 V, 200 A) (3151)

[SE501832](#) (REMAN FOR [AXE28087](#))
(12 V, 185 A) (3146)

[SE502626](#) (REMAN FOR [RE533516](#))
(12 V, 75 A) (3138)

[SE502627](#) (REMAN FOR [RE533653](#))
(ISKRA, 12 V, 95 A) (3140)

[SE502628](#) (REMAN FOR [RE533654](#))
(12 V, 120 A) (3141)

[SE501341](#) (REMAN FOR [AT161324](#)) (3142)
(DOES NOT INCLUDE FAN OR
PULLEY) (BOSCH, 24 V, 45 A)

[SE501387](#) (REMAN FOR [AT173624](#))
(12 V, 65 A) (3138)

WATER PUMP



[SE501227](#) (REMAN FOR [RE546918](#))
(4435, 4436)

[SE502816](#) (REMAN FOR [RE546918](#))
(4435, 4436)

OIL PUMP



[SE501814](#) (REMAN FOR [DZ100057](#)) (5001)



JOHN DEERE
Genuine Parts and Service

REMAN PARTS GUIDE

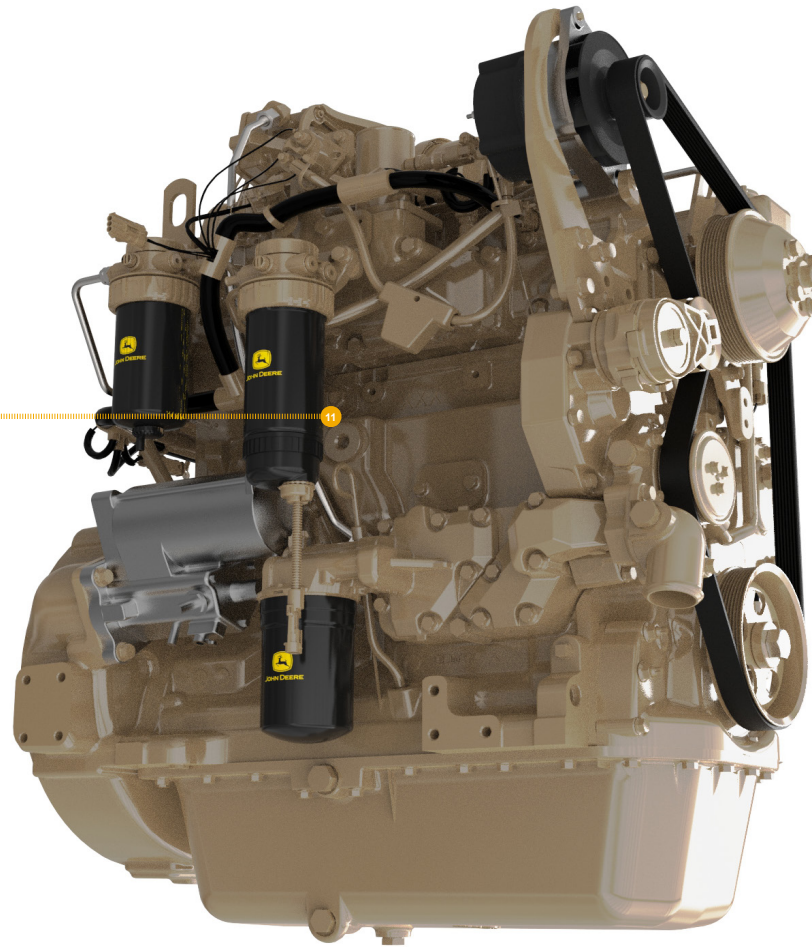
4045HF485 PowerTech Plus 4.5L OEM Motor



COMPLETE BLOCK ASSEMBLY

[SE501796](#) (MAY NOT BE AS ILLUSTRATED. INCLUDES CYLINDER HEAD WITH VALVES AND ROCKER ARM ASSEMBLY, BALANCER SHAFTS, OIL PUMP ASSEMBLY, COMPLETE GASKET KIT WITH FRONT AND REAR SEALS.)

[SE501784](#) (WITHOUT AUXILARY DRIVE MAY NOT BE AS ILLUSTRATED. INCLUDES CYLINDER HEAD WITH VALVES AND ROCKER ARM ASSEMBLY, BALANCER SHAFTS, OIL PUMP ASSEMBLY, COMPLETE GASKET KIT WITH FRONT AND REAR SEALS.)



JOHN DEERE
Genuine Parts and Service