

REPLACEMENT PART GUIDE

4045HN056 PowerTech PSS 4.5L Mazzotti OEM Engine FT4 (Stage-V)



ALTERNATOR

[RE537508](#) (12V, 120A) (31AQ)



OCV FILTER

[DZ105100](#) (29ET)

Replace 1500 Hours of operation.



PRIMARY FUEL FILTER

[DZ115391](#) (35KW)

Replace 500 Hours of Operation or Every 12 Months.



SECONDARY FUEL FILTER

[DZ115390](#) (35KW)

Replace 500 Hours of Operation or Every 12 Months.



STARTER MOTOR

[RE523502](#) (12V, 4.2KW) (3084)



DOSING UNIT PUMP FILTER

[DZ114640](#) (3327, 3351)

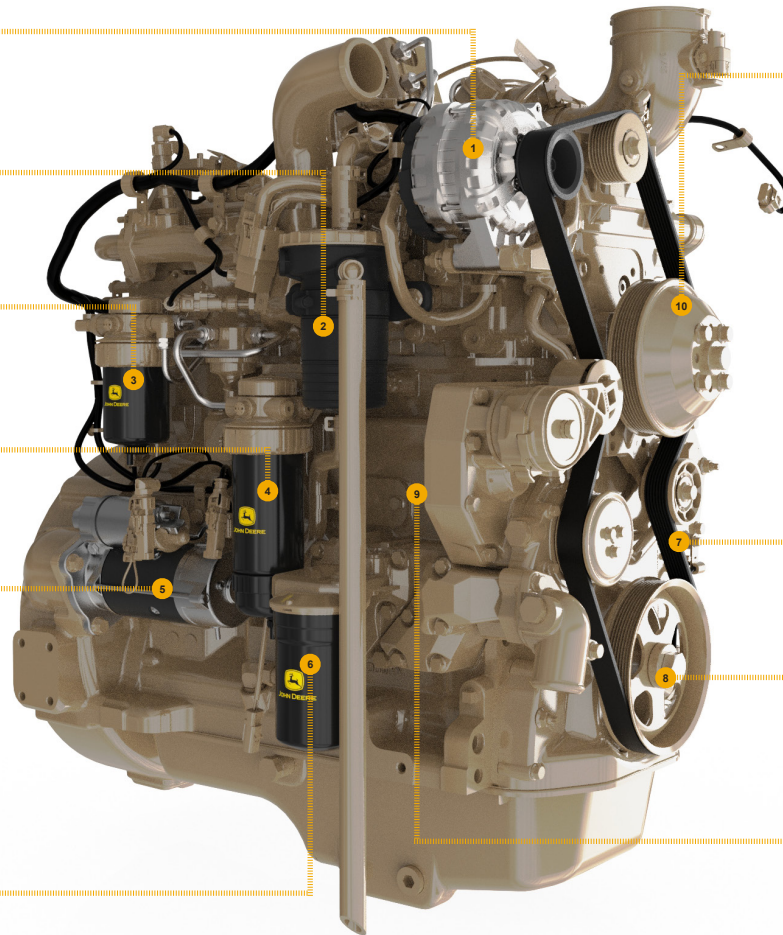
Replace 4500 Hours of Operation or Every 36 Months.



OIL FILTER

[RE504836](#) (8842)

Replace 500 Hours of Operation or Every 12 Months.



FAN PULLEY

[R128661](#) (OD = 184 mm) (8672)



DIESEL EXHAUST FLUID INLINE FILTER

[DZ124403](#) (3351)

Replace 8000 Hours of Operation or Every 36 Months.



DEF TANK INLET SCREEN

[DZ114695](#) (3429, 3447)

Replace As Required.



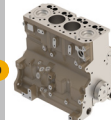
FAN BELT

[DZ118606](#) (LGTH = 1795 mm) (24LH)



CRANKSHAFT PULLEY

[R503880](#) (OD = 189 mm) (1327)



SHORT BLOCK ASSEMBLY

[DZ110078](#)

Also Order Engine Gasket Kit, Dipstick Tube, Oil Pump, Cylinder Head Bolt Kit, Crank Wheel (If Applicable), (1) R121043 Valve, (1) R111137 Spring, And Parts From The Short Block Hardware Kit As Needed.







JOHN DEERE

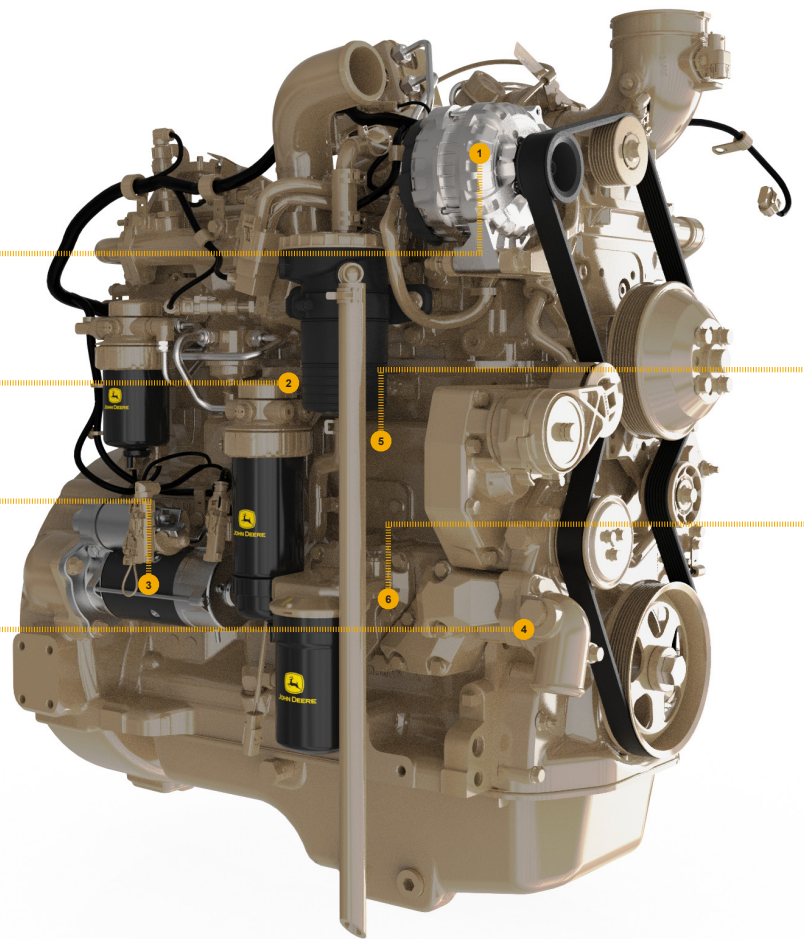
Genuine Parts and Service



REMAN PARTS GUIDE

4045HN056 PowerTech PSS 4.5L Mazzotti OEM Engine FT4 (Stage-V)



	ALTERNATOR SE502561 (REMAN FOR RE537508) (12V, 120A) (31AQ)
	FUEL INJECTION PUMP SE502769 (REMAN FOR RE543423) (16JU)
	STARTER MOTOR SE502632 (REMAN FOR RE523502) (12V, 4.2KW) (3084)
	WATER PUMP SE501227 (REMAN FOR RE546918) (S350PT) (4440) SE502816 (REMAN FOR RE546918) (S350 IT4)(4440)



	CONNECTING RODS SE501094 (REMAN FOR RE500608) (4868)
	OIL PUMP SE501813 (REMAN FOR DZ100021) (5024)