



# REPLACEMENT PART GUIDE

## 5030TF220 PowerTech 3.0L OEM Engine



### STARTER

- [RE540304](#) (12V, 2.2KW) (3002)
- [RE540305](#) (24V, 3.0KW) (3003)
- [RE540303](#) (12V, 2.6KW) (3007) INCLUDING SAFETY SIGN, LABEL, COVER, SOLENOID



### FUEL FILTER

- [RE508202](#) (3503, 3506, 3508)
- 500 hrs of operation or every 12 months.



### OIL FILTER

- [RE519626](#) (8801)
- 500 hrs of operation or every 12 months.

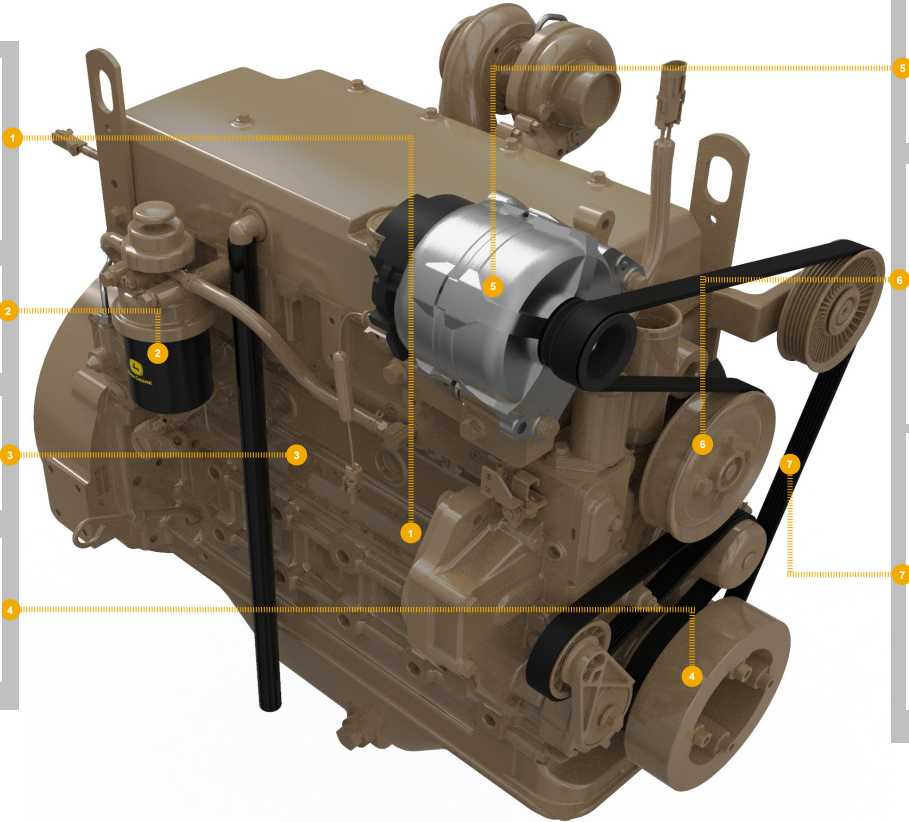


### CRANKSHAFT PULLEY

- [RE523315](#) (OD = 160 mm) (1303)

### DAMPER

- [RE516488](#) (OD = 186 mm) (6801)



### ALTERNATOR

- [RE529377](#) (12V, 70A) (3102)
- [AH165975](#) (12V, 120A) (3103)
- [RE522401](#) (24V, 50A) (3104)



### FAN PULLEY

- [R505808](#) (OD = 140 mm) (8601)
- [R516401](#) (OD = 127 mm) (8602)
- [R516400](#) (OD = 160 mm) (8603)
- [R520415](#) (OD = 140 mm) (8604)
- [R520414](#) (OD = 160 mm) (8605)
- [R520462](#) (OD = 127 mm) (8606)



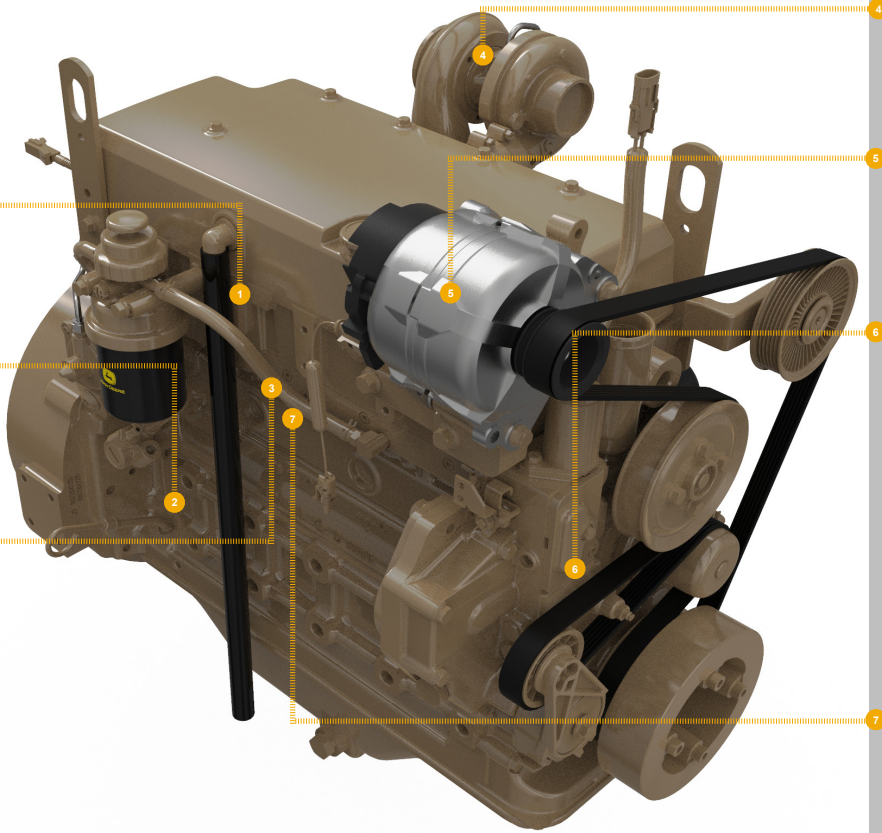
### FAN BELT

- [DZ118739](#) (LGTH = 2530 mm) (2415)
- [R519408](#) (LGTH = 2500 mm) (2416)
- [DZ118736](#) (LGTH = 2480 mm) (2417)
- [R523007](#) (LGTH = 2370 mm) (2419, 2420, 2422)
- [R522751](#) (LGTH = 2395 mm) (2421, 2424)
- [DZ118732](#) (LGTH = 2365 mm) (2423)



# REMAN PARTS GUIDE

## 5030TF220 PowerTech 3.0L OEM Engine



### CONNECTING ROD

[SE501898](#) (REMAN FOR [RE544411](#))  
(4801, 4805, 4808)



### STARTER

[RM100157](#) (REMAN FOR [RE540304](#))  
(12V, 2.2KW) (3002)  
[RM100034](#) (REMAN FOR [RE540303](#))  
(24V, 3.0KW) (3003)



### CYLINDER HEAD

[SE501607](#) (REMAN FOR [DZ117412](#)) (5102)



### TURBOCHARGER

[SE502214](#) (REMAN FOR [RE518226](#)) (6521)



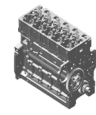
### ALTERNATOR

[SE501343](#) (REMAN FOR [AH165975](#))  
(12V, 120A) (3103)  
[SE501831](#) (REMAN FOR [RE529377](#))  
(12V, 70A) (3102)



### WATER PUMP

[SE502114](#) (REMAN FOR [RE545573](#)) (S250)  
(2001)



### COMPLETE BLOCK ASSEMBLY

[SE501604](#) (WITH OPTION CODE 4808  
MAY NOT BE AS ILLUSTRATED,  
INCLUDES CYLINDER HEAD  
WITH VALVES AND ROCKER  
ARM ASSEMBLY, COMPLETE  
GASKET KIT WITH FRONT AND  
REAR SEALS)  
  
[RM10027](#) (WITH OPTION CODE 4801 MAY  
NOT BE AS ILLUSTRATED,  
INCLUDES CYLINDER HEAD  
WITH VALVES AND ROCKER  
ARM ASSEMBLY, COMPLETE  
GASKET KIT WITH FRONT AND  
REAR SEALS)  
  
[SE501603](#) (REMAN FOR [RE543445](#))