



# REPLACEMENT PART GUIDE

## 5030TF270 PowerTech 3.0L OEM Engine



### STARTER

[RE540304](#) (12V, 2.2KW) (3002)

[RE540305](#) (24V, 3.0KW) (3003)

[RE540303](#) (12V, 2.6KW) (3007) INCLUDES SAFETY SIGN, LABEL, COVER, SOLENOID



### FUEL FILTER

[RE508202](#) (3503, 3506, 3508)

500 hrs of operation or every 12 months.



### OIL FILTER

[RE519626](#) (8001)

500 hrs of operation or every 12 months.



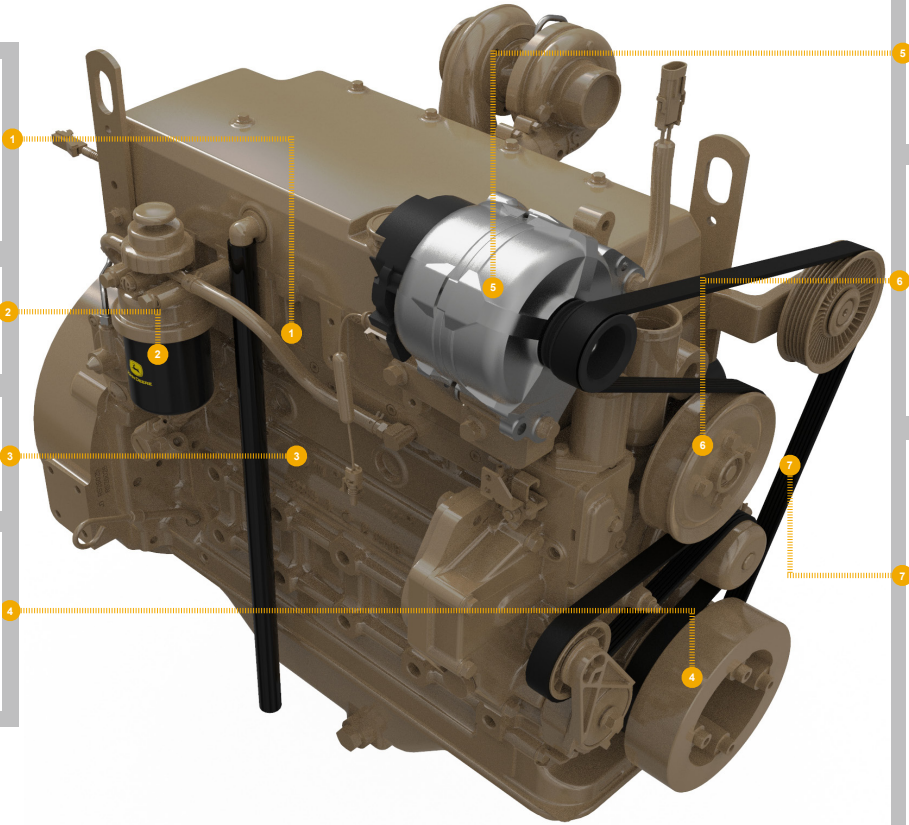
### CRANKSHAFT PULLEY

[RE520244](#) (OD = 140 mm) (1302)

[RE523315](#) (OD = 160 mm) (1303)

### DAMPER

[RE516488](#) (OD = 186 mm) (6801)



### ALTERNATOR

[RE529377](#) (12V, 70A) (3102)

[AH165975](#) (12V, 120A) (3103)

[RE522401](#) (24V, 50A) (3104)

[RE509080](#) (12V, 65A) (3105)



### FAN PULLEY

[R505808](#) (OD = 140 mm) (8601)

[R516401](#) (OD = 127 mm) (8602)

[R516400](#) (OD = 160 mm) (8603)

[R520415](#) (OD = 140 mm) (8604)

[R520414](#) (OD = 160 mm) (8605)

[R520462](#) (OD = 127 mm) (8606)



### FAN BELT

[DZ118741](#) (LGTH = 2340 mm) (2402, 2418, 2404)

[R523054](#) (LGTH = 2530 mm) (2425)

[DZ118732](#) (LGTH = 2270 mm) (2401, 2409, 2423)

[DZ118729](#) (LGTH = 2300 mm) (2403, 2411)

[DZ119646](#) (LGTH = 2415 mm) (2405, 2427)

[DZ118737](#) (LGTH = 2465 mm) (2406)

[DZ118735](#) (LGTH = 2435 mm) (2413, 2428)

[DZ118739](#) (LGTH = 2530 mm) (2415)

[R519408](#) (LGTH = 2500 mm) (2416)

[DZ118736](#) (LGTH = 2480 mm) (2417)

[R523007](#) (LGTH = 2370 mm) (2419, 2420, 2422)

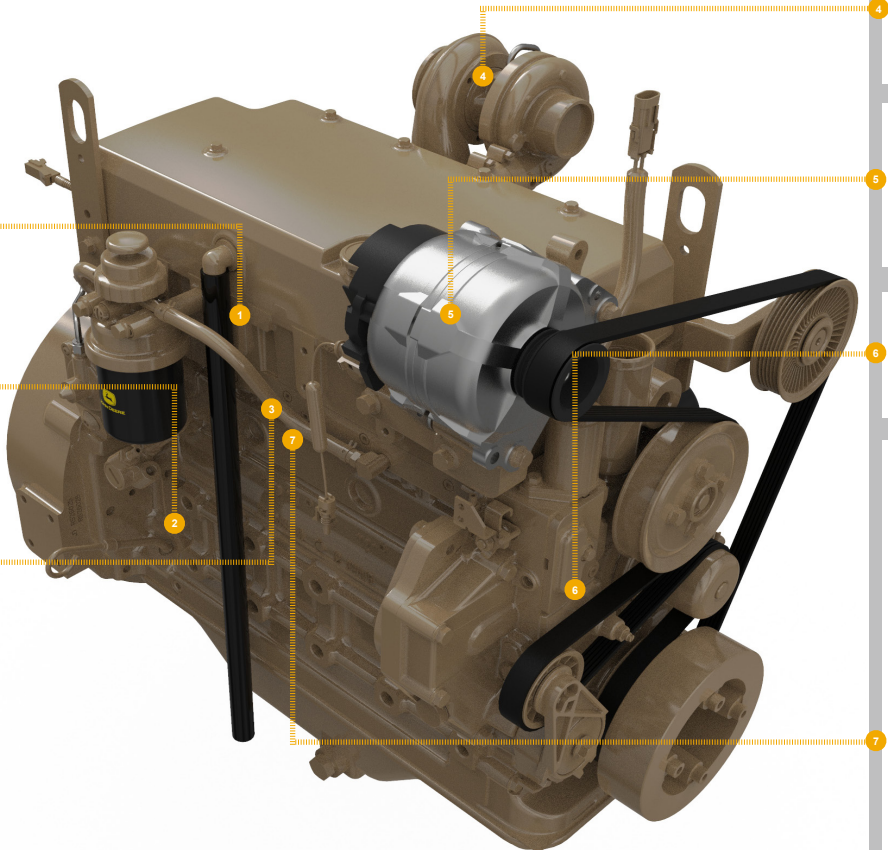
[R522751](#) (LGTH = 2395 mm) (2421, 2424)

[DZ118732](#) (LGTH = 2365 mm) (2423)



# REMAN PARTS GUIDE

## 5030TF270 PowerTech 3.0L OEM Engine



### CONNECTING ROD

[SE501898](#) (REMAN FOR [RE544411](#))  
(4801, 4805, 4808)



### STARTER

[RM100157](#) (REMAN FOR [RE540304](#))  
(12V, 2.2KW) (3002)  
[RM100034](#) (REMAN FOR [RE540303](#))  
(24V, 3.0KW) (3003)



### CYLINDER HEAD

[SE501607](#) (REMAN FOR [DZ117412](#)) (5102)



### TURBOCHARGER

[SE502214](#) (REMAN FOR [RE518226](#)) (6521)  
[SE501678](#) (REMAN FOR [RE518228](#)) (6509)  
[SE502193](#) (REMAN FOR [RE518234](#)) (6508)



### ALTERNATOR

[SE501343](#) (REMAN FOR [AH165975](#))  
(12V, 120A) (3103)  
[SE501831](#) (REMAN FOR [RE529377](#))  
(12V, 70A) (3102)



### WATER PUMP

[SE502114](#) (REMAN FOR [RE545573](#)) (S250)  
(2001)



### COMPLETE BLOCK ASSEMBLY

[SE501604](#) (WITH OPTION CODE 4808  
MAY NOT BE AS ILLUSTRATED,  
INCLUDES CYLINDER HEAD  
WITH VALVES AND ROCKER  
ARM ASSEMBLY, COMPLETE  
GASKET KIT WITH FRONT AND  
REAR SEALS)

[RM10027](#) (WITH OPTION CODE 4801 MAY  
NOT BE AS ILLUSTRATED,  
INCLUDES CYLINDER HEAD  
WITH VALVES AND ROCKER  
ARM ASSEMBLY, COMPLETE  
GASKET KIT WITH FRONT AND  
REAR SEALS)

[RM10026](#) (WITH OPTION CODE 4805 MAY  
NOT BE AS ILLUSTRATED,  
INCLUDES CYLINDER HEAD  
WITH VALVES AND ROCKER  
ARM ASSEMBLY, COMPLETE  
GASKET KIT WITH FRONT AND  
REAR SEALS)

[SE501603](#) (REMAN FOR [RE543445](#))