

# REPLACEMENT PART GUIDE

## 6068AFM85 PowerTech 6.8L Marine Engine



### OCV FILTER

[RE502284](#) (2971, 29AG)

1500 hrs of operation



### STARTER

[RE564633](#) (ISKRA, 24 V, 4 KW) (3090)

[RE536490](#) (12V, 4 KW) (30AG)

[RE501150](#) (24 V) (3041)

[RE501060](#) (24 V, 7.8 KW) (3041)



### FUEL FILTER

[RE527972](#) (81BQ, 81BR)

[RE527961](#) (81BS, 81BT)

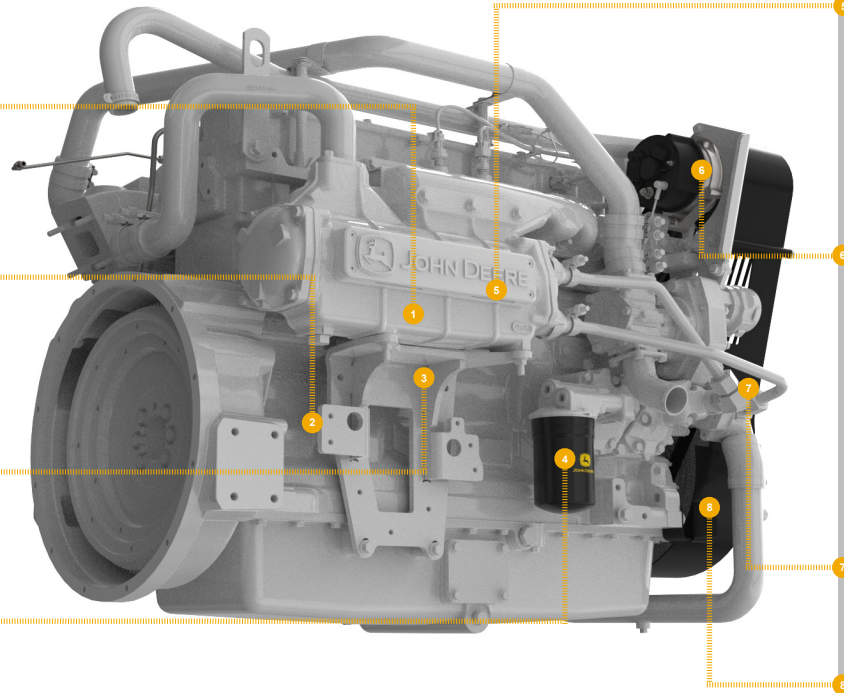
500 hrs of operation or every 12 months.



### OIL FILTER

[RE504836](#) (880M, 8843)

500 hrs of operation or every 12 months.



**SHORT BLOCK ASSEMBLY**  
[DZ101118](#) (MAEKED R504850) (9901)



**ALTERNATOR**  
[RE537146](#) (ISKRA, 28 V, 50 A) (3142)  
[DZ114957](#) (BOSCH, 24 V, 45 A) (3142)  
[DZ117503](#) (24 V, 190 A) (3127)  
[RE540412](#) (ISKRA, 14 V, 75 A) (3148)  
[RE540413](#) (28 V, 50 A) (3149)  
[AH165975](#) (BOSCH, 12 V, 120 A) (3141)  
[RE533654](#) (ISKRA, 12 V, 120 A) (3141)  
[RE533653](#) (ISKRA, 12 V, 95 A) (3140)  
[RE533516](#) (ISKRA, 12 V, 75 A) (3138)  
[DZ114956](#) (BOSCH, 12 V, 65 A) (3138)



**FAN BELT**  
[DZ119515](#) (LGTH = 1587 mm) (24GC)  
[DZ118764](#) (LGTH = 1527 mm) (24GB, 24KM)



**TORSIONAL DAMPER**  
[DZ119883](#) (OD = 350 mm) (6813)  
[RE528010](#) (6812)



**DAMPER PULLEY**  
[R545126](#) (OD = 168 mm) (1333)





**JOHN DEERE**  
Genuine Parts and Service




# REMAN PARTS GUIDE


## 6068AFM85 PowerTech 6.8L Marine Engine


 **TURBOCHARGER**  
[SE502269](#) (REMAN FOR [RE546043](#)) (65D6)

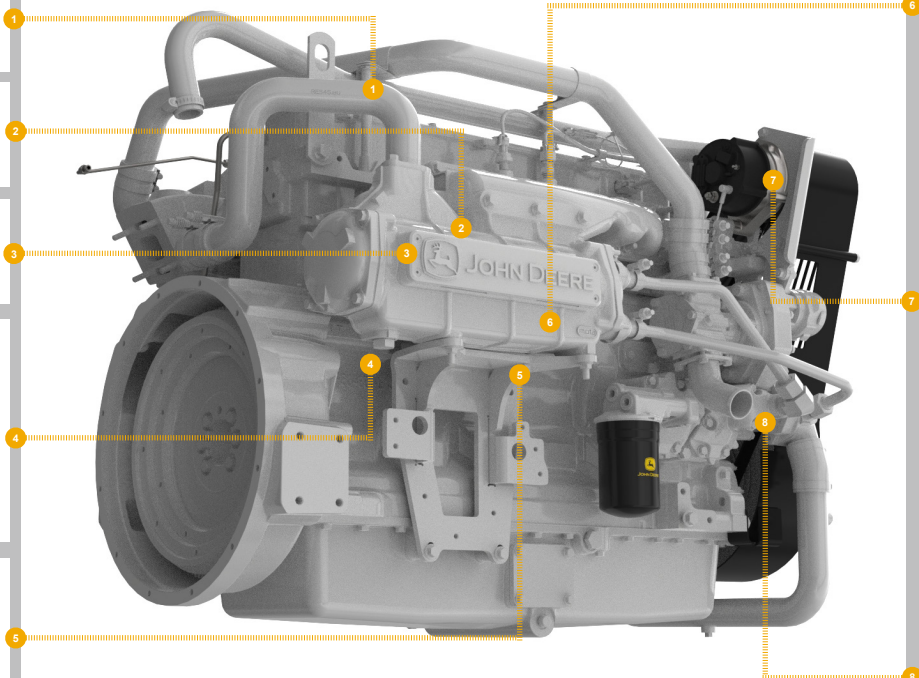
 **CYLINDER HEAD**  
[SE501583](#) (REMAN FOR [RE521639](#)) (5120)


 **CONNECTING ROD**  
[SE501094](#) (REMAN FOR [RE500608](#)) (4852)

**STARTER**  
[SE501406](#) (REMAN FOR [RE501150](#)) (24 V) (3041)  
[SE502733](#) (REMAN FOR [RE546633](#)) (24 V) (3090)  
[SE501403](#) (REMAN FOR [RE70957](#)) (12 V) (3006)


 **FUEL INJECTION PUMP**  
[SE501915](#) (REMAN FOR [RE507959](#)) (1679)

 **FUEL INJECTION NOZZLE**  
[SE501934](#) (REMAN FOR [RE533454](#)) (1679)



 **ENGINE CONTROLLER**  
[SE502800](#) (REMAN FOR [RE531808](#)) (1679)

**ALTERNATOR**  
[SE501342](#) (REMAN FOR [AH137883](#)) (3140) (NOT ILLUSTRATED, DOES NOT INCLUDE FAN AND PULLEY) (12 V, 95 A)  
[SE501343](#) (REMAN FOR [AH165975](#)) (12 V, 120 A) (3141)  
[SE502626](#) (REMAN FOR [RE533516](#)) (12 V, 75 A) (3138)  
[SE502627](#) (REMAN FOR [RE533653](#)) (ISKRA, 12 V, 95 A) (3140)  
[SE502628](#) (REMAN FOR [RE533654](#)) (12 V, 120 A) (3141)  
[RM100226](#) (REMAN FOR [RE540412](#)) (14 V, 75 A) (3148)  
[SE501341](#) (REMAN FOR [AT161324](#)) (3142) (DOES NOT INCLUDE FAN OR PULLEY) (24 V, 45 A)  
[SE501387](#) (REMAN FOR [AT173624](#)) (12 V, 65 A) (3138)

 **OIL PUMP**  
[SE501813](#) (REMAN FOR [RE521756](#) OR [DZ100021](#)) (5024)