

REPLACEMENT PART GUIDE

6068HF150 PowerTech 6.8L Engine



SHORT BLOCK ASSEMBLY



[RE571654](#) (9901) (TAPERED NOSE
CRANKSHAFT MARKED [R504850](#))

FUEL FILTER



[RE60021](#) (3517) (3522) (3518) (3591) (3521)
[RE62418](#) (35BN)
[RE62424](#) (8102) (8103) (8108)
500 hrs of operation or every 12 months.

FAN PULLEY

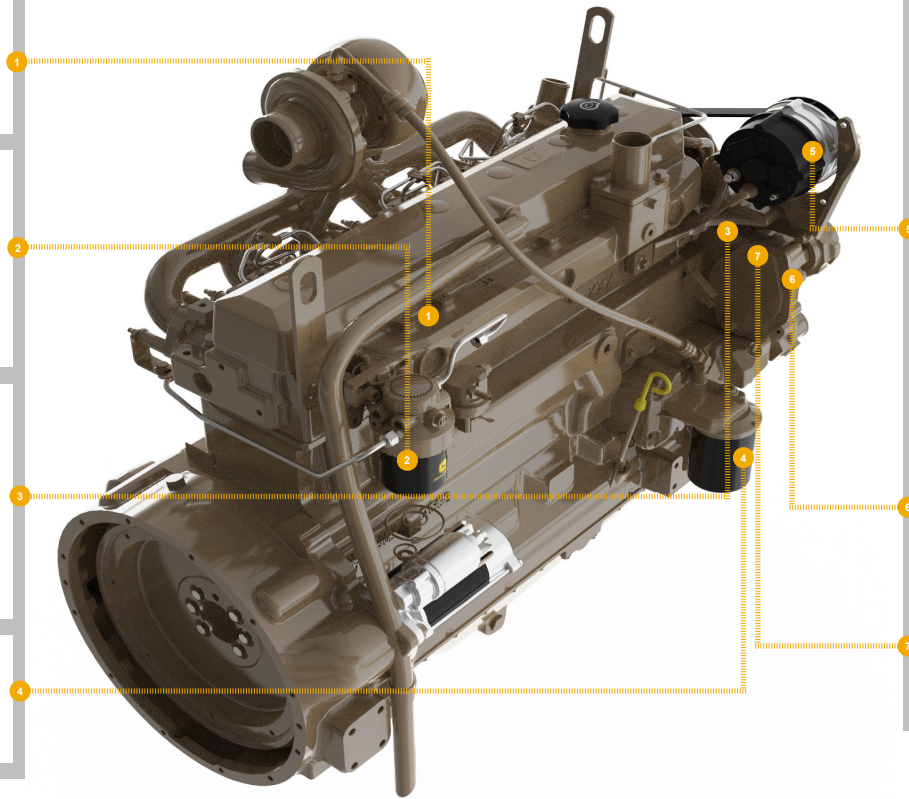


[R128658](#) (OD= 145 mm) (8607) (8610)
(8629) (8604) (8601)
[R128660](#) (OD= 173 mm) (8605) (8611)
(8611) (8602) (8608)
[R128662](#) (OD = 203 mm) (8606) (8609)
(8603) (8612)

OIL FILTER



[DZ118286](#) (8801, 8802, 8803, 8805, 8806,
8807, 8809, 8810, 8815)
500 hrs of operation or every 12 months.



ALTERNATOR



[DZ114956](#) (12 V, 120 A) (3109) (3111) (3115)
(3122)
[DZ117503](#) (24 V, 140 A) (3126)
[RE505895](#) (12V, 75A) (3135)
[RE506196](#) (12V, 55 A - MAGNETON)
(3115) (3122)
[RE533516](#) (12 V, 75 A) (3109)
[RE533653](#) (12 V, 95 A) (3107)
[RE533654](#) (12V, 120A; ISKRA (3108))
[RE537146](#) (28 V, 50 A) (3114)
[DZ114957](#) (28V, 55A) (3104)

DAMPER



[RE500013](#) (OD = 264 mm) (6803)
[RE59355](#) (OD = 255 mm) (6801)

CRANK PULLEY



[R133296](#) (1305) (OD = 188 mm)
[R133295](#) (1306) (OD = 168 mm)

REPLACEMENT PART GUIDE

6068HF150 PowerTech 6.8L Engine



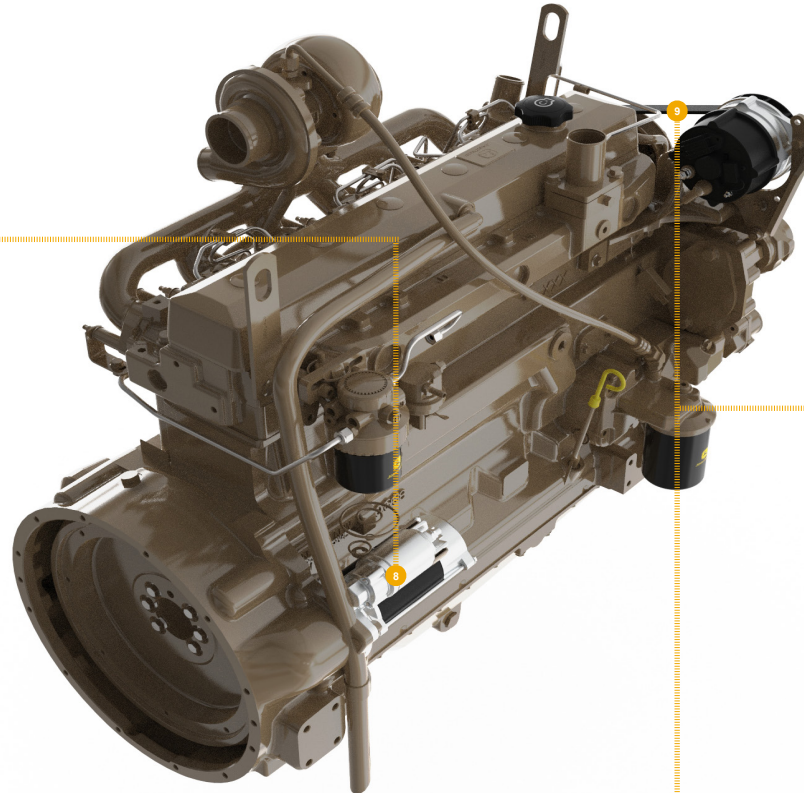
STARTER

- [DZ110083](#) (24 V, 4 KW) (3067) (3068)
- [RE501060](#) (RH) (24 V) (3001) (3061)
- [RE501150](#) (LH) (24 V) (3041) (3080) (3041) (3061)
- [RE501166](#) (12 V) (3026)
- [RE528929](#) (24 V, 4 KW) (3054) (3080)
- [RE504915](#) (24 V, 4 KW) (3068)
- [RE508169](#) (3062)
- [RE523501](#) (12 V, 4.2 KW), (LH) (3073)(3088)
- [RE523502](#) (12 V) (3084) (3052) (3088)
- [RE540301](#) (12 V, 2.5 KW) (3005)
- [RE546868](#) (12V, 3.2 KW) (3062)
- [RE551644](#) (24 V) (3011)
- [RE64474](#) (12 V) (3025)
- [RE65175](#) (3003)
- [RE70957](#) (12 V) (3006) (3060)
- [RE70960](#) (12 V) (3010) (3060)



FAN BELT

- [T428725](#) (LGTH = 1640 mm) (24DG)
- [R134625](#) (LGTH = 1645 mm) (24DP)
- [T428692](#) (LGTH = 1665 mm) (24DX) (24DY)
- [T428724](#) (LGTH = 1575 mm) (2409)
- [T428818](#) (LGTH = 1590 mm) (240F) (2424)
- [T428820](#) (LGTH = 1580 mm) (2421)(2402) (24AN) (240T) (240V) (2479) (2471)
- [T428822](#) (LGTH = 1615 mm) (24DE) (24DJ)
- [T428823](#) (LGTH = 1635 mm) (24DK) (24DN) (24DV)
- [T428825](#) (LGTH = 1650 mm) (2425) (2480) (24EE)
- [T428863](#) (LGTH = 1620 mm) (2418) (24DC)



FAN BELT

- [DZ114929](#) (LGTH = 1655 mm) (240K) (24DO) (24DS)
- [DZ115455](#) (LGTH = 1550 mm) 2407(24AJ) (240W)
- [DZ115812](#) (LGTH = 1680 mm) (24EF)
- [DZ117267](#) (LGTH = 1690 mm) (24EC))
- [DZ117268](#) (LGTH = 1530 mm) (24BK)
- [DZ118764](#) (LGTH = 1525 mm) (2403) (2405)
- [DZ118781](#) (LGTH = 1700 mm) (24DZ)
- [DZ118815](#) (LGTH = 1725 mm) (24ED)
- [DZ119018](#) (LGTH = 2395 mm) (24EB)
- [DZ119059](#) (LGTH = 1515 mm) (24BP)
- [DZ119060](#) (LGTH = 1555 mm) (2401) (2471) (2422)
- [DZ119061](#) (LGTH = 1540 mm) (2414)
- [DZ119062](#) (LGTH = 1550 mm) (240R) (240D)
- [DZ119063](#) (LGTH = 1560 mm) (2408) (2472)
- [DZ119416](#) (LGTH = 1595 mm) (2416) (2413) (2475)
- [DZ119477](#) (LGTH = 1565 mm) (2423) (2415) (2476)
- [DZ119478](#) (LGTH = 1570 mm) (240S) (2420))
- [DZ119515](#) (LGTH = 1585 mm) (2473) (2474))
- [DZ119516](#) (LGTH = 1600 mm) (2411) (24DB) (24DD) (2435=1590))
- [DZ119520](#) (LGTH = 1605 mm) (2477)(2417) (2478))
- [DZ119521](#) (LGTH = 1610 mm) (24DT) (2412) (24DL)
- [DZ119522](#) (LGTH = 1630 mm) (2419) (24DM) (24BQ=1632)
- [DZ119530](#) (LGTH = 1675 mm) (24DQ) (2427)
- [DZ119531](#) (LGTH = 2320 mm) (2433)
- [DZ119533](#) (LGTH = 2360 mm) (24EA)
- [DZ119715](#) (LGTH = 1625 mm) (2438) (24DF) (24DR) (2429) (2482)



JOHN DEERE
Genuine Parts and Service

REMAN PARTS GUIDE

6068HF150 PowerTech 6.8L Engine



CYLINDER HEAD

[SE501581](#) (REMAN FOR [RE57489](#)) (5107)

TURBO CHARGER

[SE502228](#) (REMAN FOR [RE505059](#)) (6592))

[SE502173](#) (REMAN FOR [RE509533](#)) (6592))

[SE502334](#) (REMAN FOR [RE509807](#)) (65AJ)
(65DY) (65DX))



[SE502183](#) (REMAN FOR [RE515508](#),
[RE515732](#) OR [RE26409](#)) (6540)
(6505) (6511) (6586) (65JJ))

[SE502187](#) (REMAN FOR [RE60075](#) OR
[RE60001](#)) (6505) (6511) (6586))

[SE502159](#) (REMAN FOR [RE509809](#) OR
[RE515497](#)) (6593) (65FJ) (65JN))



FUEL INJECTION PUMP

[SE501321](#) (REMAN FOR [RE509503](#)) (1621)

STARTER

[SE501406](#) (LH) (REMAN FOR [RE501060](#),
[RE501150](#) OR [TY24443](#)) (3041)
(3061) (3080)

[SE502631](#) (REMAN FOR [RE523501](#)) (3073)
(3088)

[SE502632](#) (REMAN FOR [RE523502](#) OR
[RE507236](#)) (3052) (3062) (3084)
(3088)

[SE501401](#) (REMAN FOR [RE59588](#)) (3005)
(12 V, 2.5 KW)

[SE502736](#) (REMAN FOR [RE543881](#)) (3011)

[SE501408](#) (REMAN FOR [RE65175](#)) (3003)

[SE501420](#) (REMAN FOR [RE65176](#)) (3006)

[SE501421](#) (REMAN FOR [RE65188](#)) (3010)

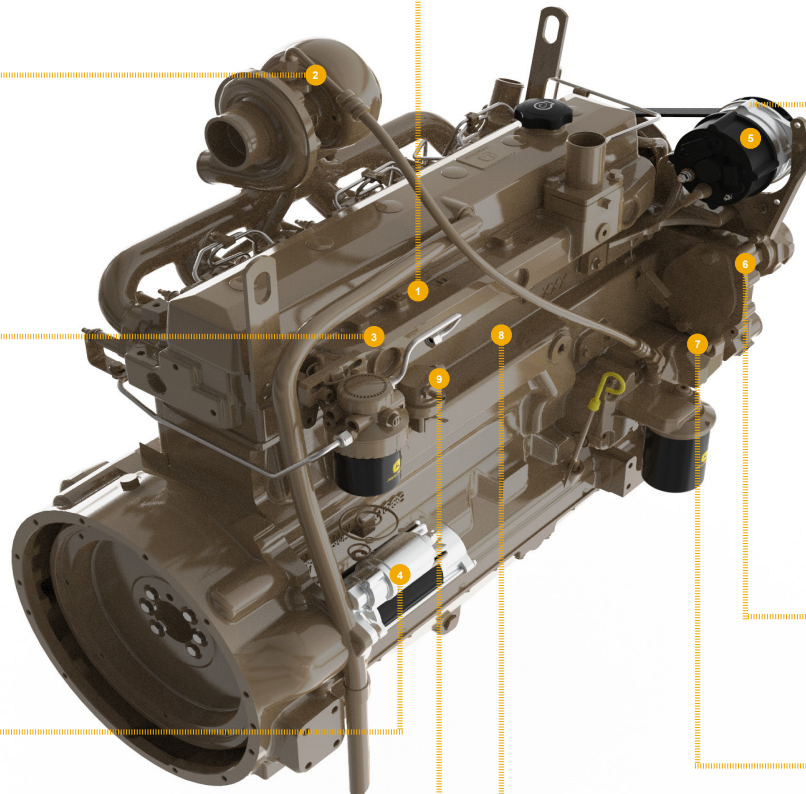
[SE501409](#) (REMAN FOR [RE65190](#))
(3013) (12 V)

[SE501405](#) (REMAN FOR [TY24441](#), [RE70474](#)
OR [RE70960](#)) (12 V) (3010) (3060)

[SE501407](#) (REMAN FOR [RE70961](#)) (24 V)
(3001) (3061)

[SE501403](#) (REMAN FOR [RE70957](#) OR
[TY24439](#)) (12 V) (3006) (3060)

[SE502634](#) (REMAN FOR [RE65189](#)) (3011)



ALTERNATOR

[SE501342](#) (REMAN FOR [AH137883](#) OR
[AT220394](#)) (BOSCH, 12 V, 95 A)
(3107)

[SE501343](#) (REMAN FOR [AH165975](#))
(ALSO ORDER [T158584](#) AND
[R501486](#)) (BOSCH, 12 V, 120 A)
(3108)

[SE501387](#) (REMAN FOR [AT173624](#))
(12V, 65 A, BOSCH) (3109) (3111)
(3115) (3122)

[SE501341](#) (REMAN FOR [AT185696](#),
[AT175195](#), OR [TY24322](#))
(24 V, 45 A) (3104)

[SE501348](#) (REMAN FOR [AT208541](#)) (3124)
(24 V, 80 A)

[RM100224](#) (REMAN FOR [RE505895](#)) (3135)
(ISKRA, 12 V, 75 A)

[SE501823](#) (REMAN FOR [RE506196](#))
(12 V, 55 A, MAGNETON) (3101)
(3115) (3122)

[SE502626](#) (REMAN FOR [RE533516](#)) (3109)
(ISKRA, 12 V, 75 A)

[SE502627](#) (REMAN FOR [RE533653](#)) (3107)
(3111) (ISKRA, 12 V, 95 A)

[SE502628](#) (REMAN FOR [RE533654](#))
(ALSO ORDER [R505711](#) AND
[RE516489](#)) (ISKRA, 12 V, 120 A)
(3108)



WATER PUMP

[SE501951](#) (REMAN FOR [RE504911](#)) (9901)

[SE501609](#) (REMAN FOR [RE546906](#) OR
[RE505980](#)) (4403) (4404) (4425) (4426)



OIL PUMP

[SE501814](#) (REMAN FOR [DZ100057](#) OR
[RE504914](#)) (5001)



CONNECTING ROD

[SE501094](#) (REMAN FOR [RE500608](#)) (4810)
(4820) (4824)

[SE501093](#) (REMAN FOR [RE50770](#)) (4810)



A/C COMPRESSOR

[SE503065](#) (REMAN FOR [RE46609](#))
(7410) (7412)

[SE503059](#) (REMAN FOR [RE52454](#))
(7410) (7412)



JOHN DEERE
Genuine Parts and Service