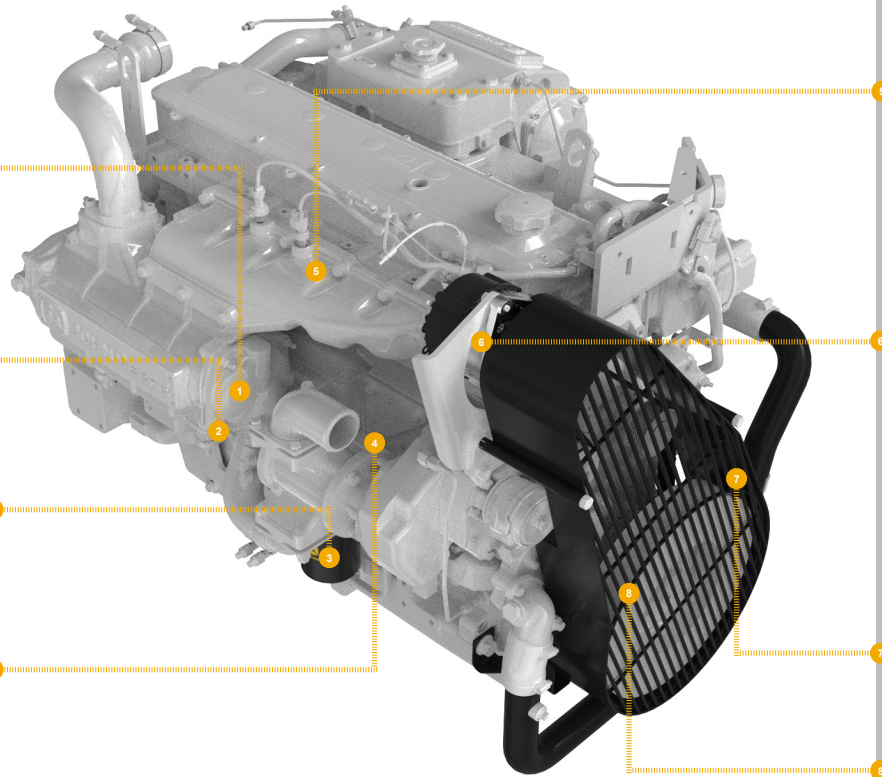




# REPLACEMENT PART GUIDE

## 6068SFM85 PowerTech 6.8L Marine Engine



### STARTER

[RE564633](#) (ISKRA, 24 V, 4 KW) (3090)

[RE70957](#) (12 V) (3006)

[RE536490](#) (12V, 4 KW) (30AG)

[RE501150](#) (24 V) (3041)



### OCV FILTER

[RE502284](#) (2971, 29AG)

1500 Hours of operation.



### FUEL FILTER

[RE527972](#)(81BQ,81BR)

[RE527961](#)(81BS,81BT)

500 hrs of operation or every 12 months.



### OIL FILTER

[RE504836](#) (880M, 8843)

500 hrs of operation or every 12 months.



### SHORT BLOCK ASSEMBLY

[DZ101118](#) (9901) (COMPONENTS ON SEPARATE PAGE(S) MARKED [R504850](#))



### ALTERNATOR

[DZ114957](#) (BOSCH, 24 V, 45 A) (3142)

[DZ117503](#) (24 V, 190 A) (3127)

[RE540412](#) (ISKRA, 14 V, 75 A) (3148)

[RE540413](#) (28 V, 50 A) (3149)

[RE533654](#) (ISKRA, 12 V, 120 A) (3141)

[RE533653](#) (ISKRA, 12 V, 95 A) (3140)

[RE533516](#) (ISKRA, 12 V, 75 A) (3138)

[DZ114956](#) (ONLY FOR NON-OEM)  
(BOSCH, 12 V, 65 A) (3138)



### FAN BELT

[DZ119515](#) (LGTH = 1587 mm) (24GC, 24CZ)

[DZ118764](#) (LGTH = 1527 mm) (24GB, 24KM)



### CRANKSHAFT PULLEY

[R545126](#) (OD = 168 mm) (1333)

### TORSIONAL DAMPER

[DZ119883](#) (OD = 350 mm) (6813)

[RE528010](#) (OD = 343 mm) (6812)



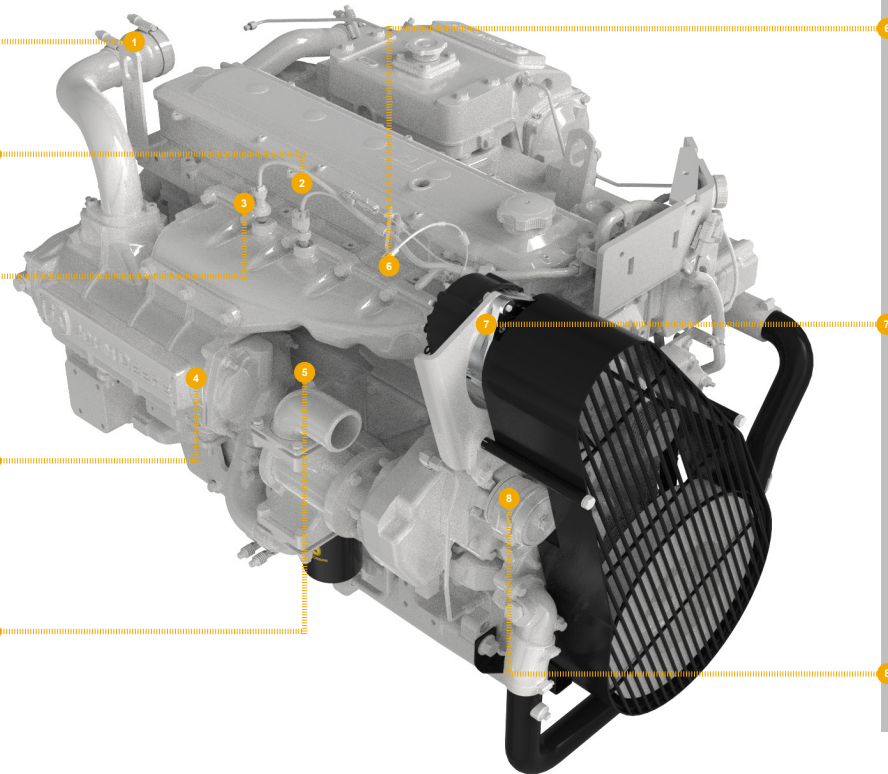
**JOHN DEERE**

Genuine Parts and Service



# REMAN PARTS GUIDE

## 6068SFM85 PowerTech 6.8L Marine Engine



### TURBOCHARGER

[SE502269](#) (REMAN FOR [RE546043](#)) (65D6)



### CYLINDER HEAD

[SE501583](#) (REMAN FOR [RE553421](#)) (5120)



### CONNECTING ROD

[SE501094](#) (REMAN FOR [RE500608](#)) (4852)



### STARTER

[SE501406](#) (REMAN FOR [RE501150](#)) (24 V) (3041)

[SE502733](#) (REMAN FOR [RE546633](#)) (24 V) (3090)

[SE501403](#) (REMAN FOR [RE70957](#)) (12 V) (3006)



### FUEL INJECTION PUMP

[SE501915](#) (REMAN FOR [RE507959](#)) (16B5)



### ENGINE CONTROLLER

[SE502801](#) (REMAN FOR [RE520953](#)) (16B5)

[SE502800](#) (REMAN FOR [RE531808](#)) (16B5)

### ALTERNATOR

[SE501342](#) (REMAN FOR [AH137883](#)) (3140) (NOT ILLUSTRATED, DOES NOT INCLUDE FAN AND PULLEY) (12 V, 95 A)

[SE501343](#) (REMAN FOR [AH165975](#)) (12 V, 120 A) (3141)

[SE502626](#) (REMAN FOR [RE533516](#)) (12 V, 75 A) (3138)

[SE502627](#) (REMAN FOR [RE533653](#)) (3140)

[SE502628](#) (REMAN FOR [RE533654](#)) (12 V, 120 A) (3141)

[RM100226](#) (REMAN FOR [RE540412](#)) (3148)

[SE501341](#) (REMAN FOR [AT161324](#)) (3142) (DOES NOT INCLUDE FAN OR PULLEY)

[SE501387](#) (REMAN FOR [AT173624](#)) (12 V, 65 A) (3138)



### OIL PUMP

[SE501813](#) (REMAN FOR [RE521756](#) OR [DZ100021](#)) (5024)



**JOHN DEERE**  
Genuine Parts and Service