



REPLACEMENT PART GUIDE

6068TF120 PowerTech 6.8L Engine



SHORT BLOCK ASSEMBLY

[RE544905](#) (MARKED R504850) (4603)



FUEL FILTER

[RE60021](#) (3522) (3518)

500 hrs of operation or every 12 months.

STARTER

[RE549229](#) (12 V) (30AT)

[RE70961](#) (24 V) (3001, 3061)

[RE70957](#) (12 V) (3006, 3060)

[RE523502](#)(12V,4.2KW)(3084)

[RE523501](#) (12 V, 4.2 KW) (3073, 3088)

[RE65175](#) (12 V) (3003)

[RE64474](#) (12 V) (3025)

[RE501150](#) (24 V) (3041)

[RE528929](#) (24 V) (3054)

[RE70960](#) (12 V) (3010)

[RE507639](#) (12 V) (3073)

[RE501166](#) (12 V) (3026)

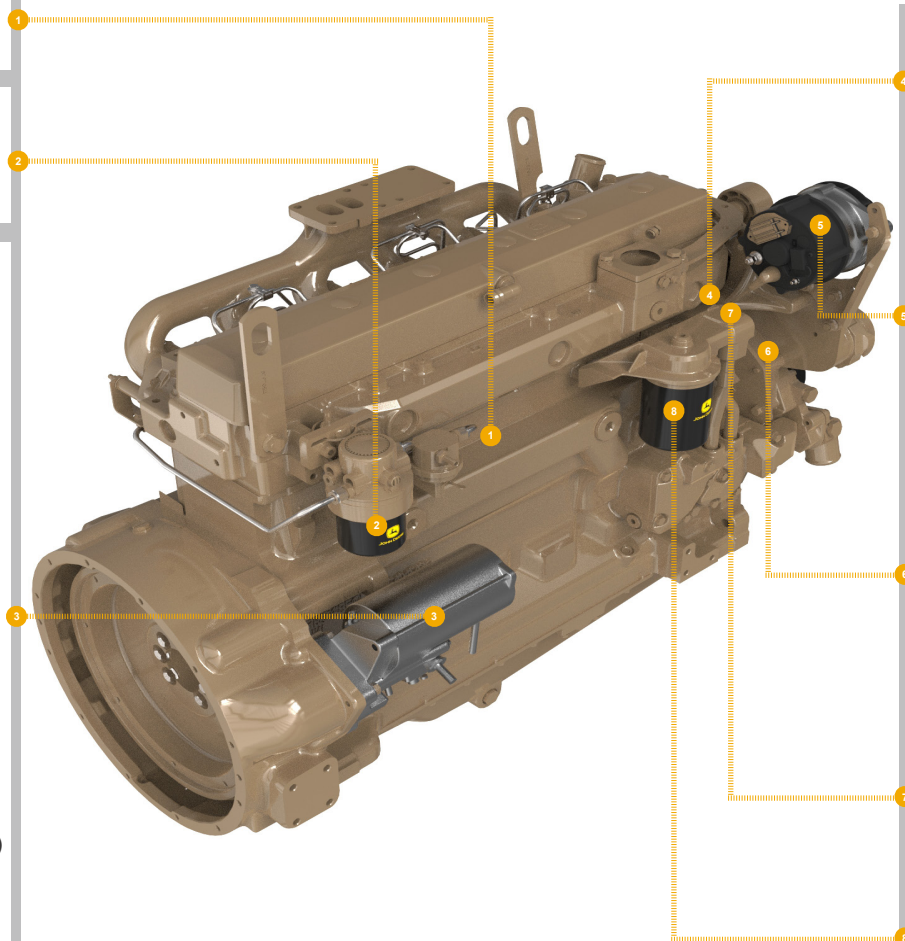
[RE500345](#) (24 V) (3031)

[DZ110083](#) (24 V, 4KW) (3068)

[RE527367](#) (24 V) (3044)

[RE501060](#) (12 V) (ORDER RE501150) (3061)

[RE551644](#) (24 V) (3011)



CRANSHAFT PULLEY

[R133296](#) (D = 188 mm) (1305)

[R133295](#) (D = 168 mm) (1306)

ALTERNATOR

[DZ114957](#) (BOSCH, 24 V, 45 A) (3104)

[RE537146](#) (ISKRA, 24 V, 50 A) (3114)

[RE533653](#) (ISKRA, 12 V, 95 A) (3107)

[RE533654](#) (ISKRA, 12 V, 120 A) (3108)

[RE533516](#) (ISKRA, 12 V, 75 A) (3109) (3111)

[DZ114956](#) (3109, 3114, 3122)

(BOSCH, 12 V, 65 A)

[RE505895](#) (ISKRA, 12 V, 75 A) (3135)



DAMPER

[RE59355](#) (OD = 255 mm)

(6801)

FAN PULLEY

[R128658](#) (OD = 140 mm) (8604, 8607, 8610, 8629, 8601)

[R128660](#) (OD = 168 mm) (8602, 8605, 8608, 8611)

[R128662](#) (OD = 203 mm) (8606, 8609, 8603, 8612)



OIL FILTER

[RE58935](#) (5901) (5902) (5903)

500 hrs of operation or every 12 months.



JOHN DEERE

Genuine Parts and Service

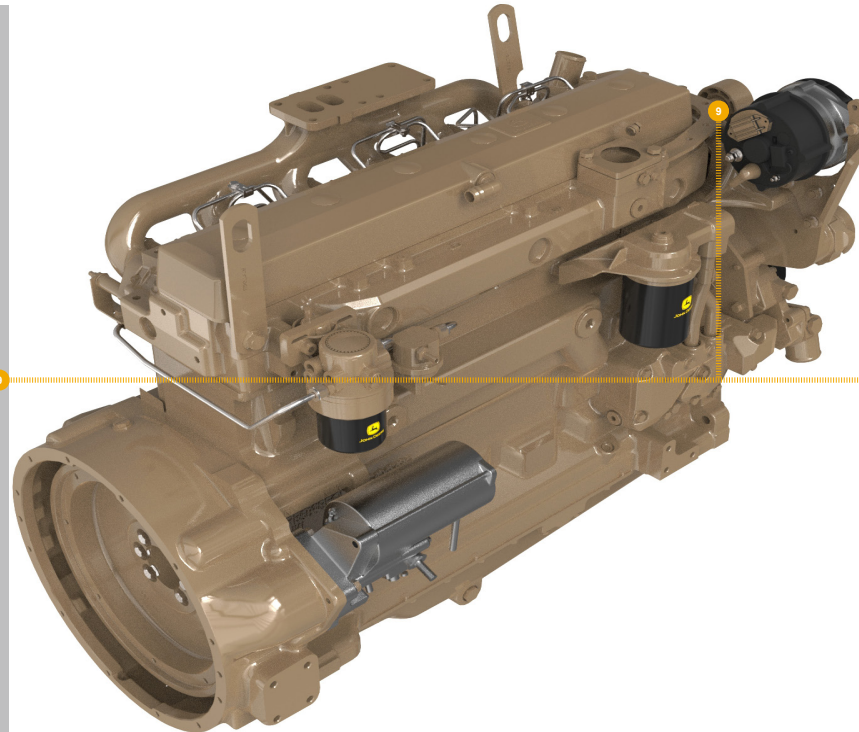
REPLACEMENT PART GUIDE

6068TF120 PowerTech 6.8L Engine



FAN BELT

- 
- [R134625](#) (LGTH = 1645 mm) (24DP)
 - [DZ119530](#) (LGTH = 1675 mm) (24DQ, 2427)
 - [T428692](#) (LGTH = 1665 mm) (24DX, 24DY)
 - [DZ118781](#) (LGTH = 1700 mm) (24DZ)
 - [DZ119533](#) (LGTH = 2360 mm) (24EA)
 - [DZ119018](#) (LGTH = 2395 mm) (24EB)
 - [DZ117267](#) (LGTH = 1690 mm) (24EC)
 - [DZ118815](#) (LGTH = 1725 mm) (24ED)
 - [DZ115812](#) (LGTH = 1680 mm) (24EF)
 - [T428724](#) (LGTH = 1575 mm) (2409)
 - [DZ119516](#) (LGTH = 1600 mm) (24DB, 24DD, 2411, 2441)
 - [DZ119520](#) (LGTH = 1605 mm) (2477, 2417, 2478)
 - [DZ117268](#) (LGTH = 1530 mm) (24BK)
 - [DZ119521](#) (LGTH = 1610 mm) (2412, 24DL, 24DT)
 - [DZ119416](#) (LGTH = 1595 mm) (2416, 2413, 2475)
 - [DZ119063](#) (LGTH = 1560 mm) (2472)
 - [DZ119061](#) (LGTH = 1540 mm) (2414)



FAN BELT

- 
- [DZ119478](#) (LGTH = 1570 mm) (2420, 240S)
 - [DZ119715](#) (LGTH = 1625 mm) (2438, 24DF, 24DR, 2429 2482)
 - [DZ118764](#) (LGTH = 1525 mm) (2403, 2405)
 - [DZ119531](#) (LGTH = 2320 mm) (2433)
 - [T428825](#) (LGTH = 1650 mm) (2480, 24EE, 2425)
 - [DZ119522](#) (LGTH = 1630 mm) (2419, 24DM)
 - [DZ119060](#) (LGTH = 1555 mm) (2401, 2471, 2422)
 - [T428820](#) (LGTH = 1580 mm) (2471, 2421, 2402, 24AN, 240T, 240V, 2479)
 - [DZ119477](#) (LGTH = 1565 mm) (2415, 2423, 2476, 240V)
 - [DZ115455](#) (LGTH = 1550 mm) (2407, 24AJ, 240W)
 - [DZ114929](#) (LGTH = 1655 mm) (240K, 24DO, 24DS)
 - [T428818](#) (LGTH = 1590 mm) (240F, 2424)
 - [DZ119515](#) (LGTH = 1585 mm) (2473, 2474)
 - [DZ119062](#) (LGTH = 1545 mm) (2403, 240R)
 - [T428863](#) (LGTH = 1620 mm) (24DC, 2418)
 - [T428822](#) (LGTH = 1615 mm) (24DE, 24DJ)
 - [T428725](#) (LGTH = 1640 mm) (24DG, 24DU)

REMAN PARTS GUIDE

6068TF120 PowerTech 6.8L Engine



CONNECTING ROD

[SE501096](#) (REMAN FOR [RE500002](#))
(4805, 4807)

[SE501095](#) (REMAN FOR [RE60272](#)) (4807)

COMPLETE BLOCK ASSEMBLY

[SE500736](#)

May not be as illustrated. Includes cylinder head with valves and rocker arm assembly, oil pump assembly, complete gasket kit with front and rear seals.

[SE501062](#)

May Not Be As Illustrated May not be as illustrated. Includes cylinder head with valves and rocker arm assembly, balancer shafts, oil pump assembly, complete gasket kit with front and rear seals.

STARTER

[SE501406](#) (REMAN FOR [RE501060](#)) (12 V)
(3061)

[SE501850](#) (REMAN FOR [RE507639](#)) (12 V)
(3073)

[SE502631](#) (REMAN FOR [RE523501](#))
(ISKRA, 12 4.2 KW) (3073)

[SE502632](#) (REMAN FOR [RE523502](#)) (12 V)
(3084, 3088)

[SE502558](#) (REMAN FOR [RE549229](#)) (12 V)
(30AT)

[SE502736](#) (REMAN FOR [RE551644](#)) (24 V)
(3011)

[SE501408](#) (REMAN FOR [RE65175](#)) (3003)

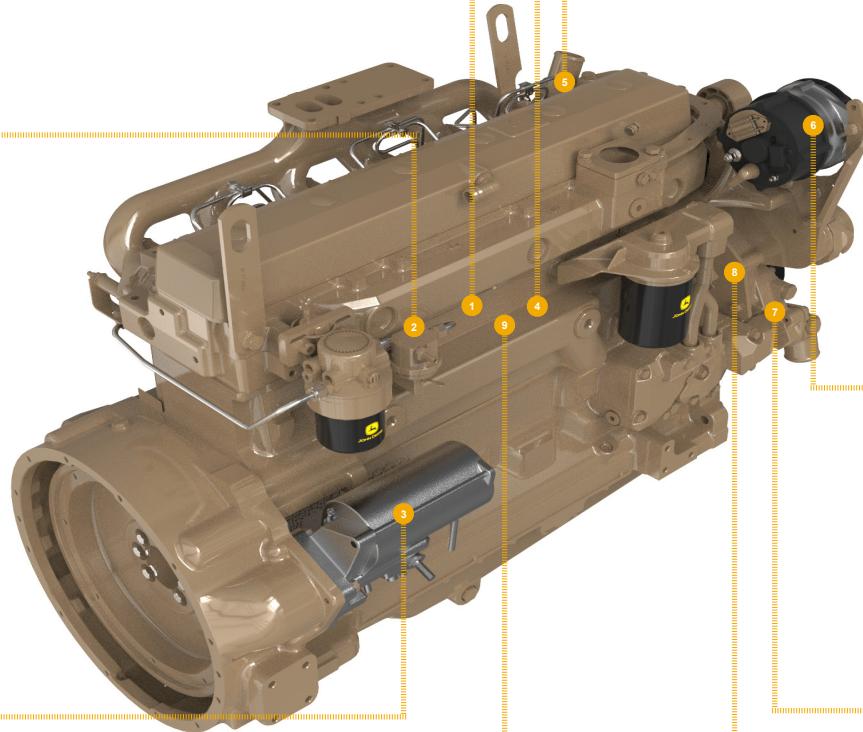
[SE501409](#) (REMAN FOR [RE65190](#)) (12 V)
(3013)

[SE501405](#) (REMAN FOR [RE70474](#)) (12 V)
(3010)

[SE501403](#) (REMAN FOR [RE70957](#)) (12 V)
(3006)

[SE501407](#) (REMAN FOR [RE70961](#)) (24 V)
(3001, 3061)

[SE501403](#) (REMAN FOR [TY24439](#)) (12 V)
(3006, 3060)



CYLINDER HEAD

[SE501581](#) (REMAN FOR [RE57489](#)) (5107)



TURBO CHARGER

[SE502333](#) (REMAN FOR [RE509435](#)) (65EB)



ALTERNATOR

[SE501342](#) (REMAN FOR [AH137883](#))
(12 V, 95 A) (3107)

[SE501343](#) (REMAN FOR [AH165975](#))
(BOSCH, 12 V, 120 A) (3108)

[SE501387](#) (REMAN FOR [AT173624](#))
(12 V, 65 A) (3122)

[SE501341](#) (REMAN FOR [AT175195](#) AND
[AT185696](#)) (24 V, 45 A) (3104)

[RM100224](#) (REMAN FOR [RE505895](#))
(12 V, 75 A) (3135)

[SE501823](#) (REMAN FOR [RE506196](#))
(12 V, 55 A) (3101)

[SE502626](#) (REMAN FOR [RE533516](#))
(12 V, 75 A) (3109)

[SE502627](#) (REMAN FOR [RE533653](#))
(12 V, 95 A) (3107)

[SE502628](#) (REMAN FOR [RE533654](#))
(12 V, 120 A) (3108)



WATER PUMP

[SE501609](#) (REMAN FOR [RE505980](#))
(4404) (4425)



OIL PUMP

[SE501594](#) (REMAN FOR [DZ100057](#)) (5001)



FUEL INJECTION NOZZLE

[SE501101](#) (REMAN FOR [RE48786](#)) (16MX)



JOHN DEERE
Genuine Parts and Service