

REPLACEMENT PARTS GUIDE

PowerTech™ 6.8L (6068TF150) Engine



STARTER

- [RE70961](#) (24V) (3001) (3061)
- [RE65175](#) (3003)
- [DZ129200](#) (12V, 2.5KW) (3005)
- [RE70957](#) (3006)
- [RE70756](#) (12V, 4.8KW) (3010)
- [RE65189](#) (24V) (3011)
- [RE549229](#) (12V) (3013)
- [RE64474](#) (12V) (3025)
- [RE501166](#) (12V) (3026)
- [RE501150](#) (24V) (3041)
- [RE515688](#) (3073) (12V)
- [RE523502](#) (12V) (3084) (3052)
- [RE528929](#) (3054) (24V) (4.0KW)
- [RE70960](#), [RE70957](#)
(RH; 12V, LH; 12V) (3060)
- [RE70961](#), [RE501150](#)
(RH; 24V, LH; 24V) (3061)
- [RE546868](#) (12V, 3.2KW) (3062)
- [DZ110083](#) (24V, 4KW) (3067)

ALTERNATOR

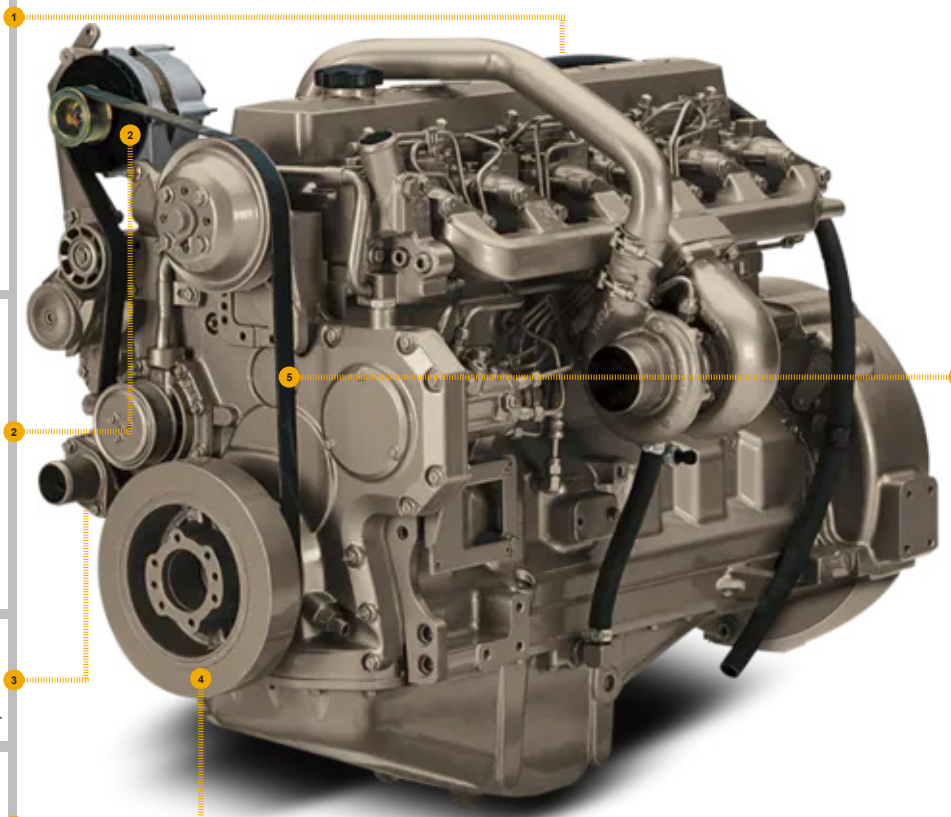
- [RE533653](#) (12V, 95 A) (3107)
- [RE533654](#) (12V, 120A, ISKRA) (3108)
- [RE533516](#) (12V, 75A) (3109) (3111)
- [DZ114956](#) (12V, 65A) (3115)(3122)
- [DZ117503](#) (24V, 140A) (3126)
- [RE505895](#) (12V, 75A) (3135)
- [RE506196](#) (3115)

FUEL FILTER

- [RE60021](#) (35BJ) (3518) (3522) (3591)
- 500 hrs of operation or every 12 months.

CRANKSHAFT PULLEY & DAMPER

- [RE59355](#) (OD = 255mm) (6801)
- [R133296](#) (OD = 193mm) (1305)
- [R133295](#) (OD = 173mm) (1306)



FAN BELT

- [DZ119060](#) (LGTH = 1555mm) (2401) (2422) (2471)
- [T428820](#) (LGTH = 1580mm) (2402) (2421) (240T) (24AN) (2479)
- [DZ118764](#) (LGTH = 1525mm) (2403) (2405)
- [DZ115455](#) (LGTH = 1550mm) (2407) (240W) (24AJ)
- [DZ119063](#) (LGTH = 1560mm) (2408) (2472)
- [T428724](#) (LGTH = 1575mm) (2409)
- [DZ114929](#) (LGTH = 1655mm) (240K) (24DO) (24DS) (240K)
- [DZ119516](#) (LGTH = 1600mm) (2411) (2435) (2441) (24DB) (24DD)
- [DZ119521](#) (LGTH = 1610mm) (2412) (24DL) (24DT)
- [DZ119416](#) (LGTH = 1595mm) (2413) (2416) (2475)
- [DZ119061](#) (LGTH = 1540mm) (2414)
- [DZ119520](#) (LGTH = 1605mm) (2417) (2477) (2478) (24AZ) (24DC)
- [T428863](#) (LGTH = 1620mm) (2418) (24DC)
- [DZ119522](#) (LGTH = 1630mm) (2419) (24DM)
- [DZ119478](#) (LGTH = 1570mm) (2420)
- [DZ119477](#) (LGTH = 1565mm) (2423) (2476) (240V)
- [T428818](#) (LGTH = 1590mm) (2424) (240F)
- [T428825](#) (LGTH = 1653mm) (2425) (2480) (24EE)
- [DZ119530](#) (LGTH = 1675mm) (2427)
- [DZ119715](#) (LGTH = 1625mm) (2429) (2438) (2482) (24DF) (24DR)
- [DZ119531](#) (LGTH = 2320mm) (2433)
- [DZ119515](#) (LGTH = 1585mm) (2473) (2474)
- [DZ118763](#) (LGTH = 1492mm) (24AV)
- [T428822](#) (LGTH = 1615mm) (24DE) (24DJ)
- [T428725](#) (LGTH = 1640mm) (24DG) (24DU)
- [T428823](#) (LGTH = 1635mm) (24DK) (24DN) (24DV)

REPLACEMENT PARTS GUIDE

PowerTech™ 6.8L (6068TF150) Engine



FAN PULLEY

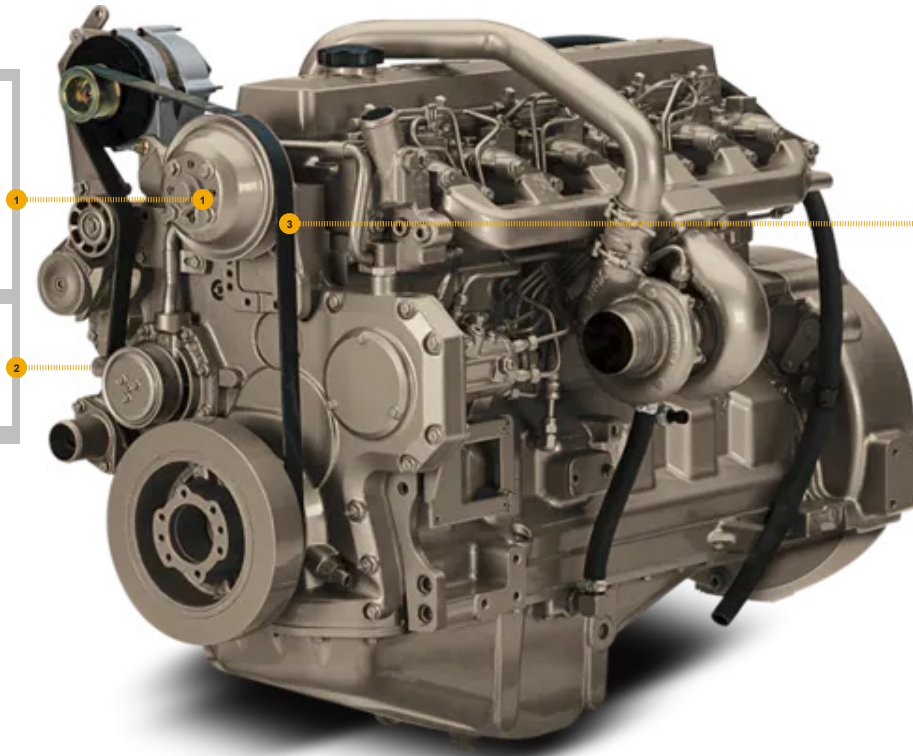


[R128658](#) (OD = 145mm) (8610) (8629) (8607), (OD = 140mm) (8601) (8604)
[R128660](#) (OD = 168mm) (8611) (OD = 173mm) (8608) (8602) (8605)
[R128662](#) (OD = 203mm) (8603) (8606) (8609) (8612)

OIL FILTER



[RE62424](#) (8102) (8103) (8108)
500 hrs of operation or every 12 months



FAN BELT

[R134625](#) (LGTH = 1645mm) (24DP)
[T428692](#) (LGTH = 1665mm) (24DX) (24DY)
[DZ118781](#) (LGTH = 1700mm) (24DZ)
[DZ119533](#) (LGTH = 2360mm) (24EA)
[DZ119018](#) (LGTH = 2395mm) (24EB)
[DZ117267](#) (LGTH = 1690mm) (24EC)
[DZ118815](#) (LGTH = 1725mm) (24ED)
[DZ115812](#) (LGTH = 1680mm) (24EF)
[R503814](#) (LGTH = 1475mm) (24AX)
[DZ119062](#) (LGTH = 1550mm) (240R)
[DZ119478](#) (LGTH = 1570mm) (240S)



SHORT BLOCK ASSEMBLY



[RE520382](#) MARKED [R504850](#)

REMAN PARTS GUIDE

PowerTech™ 6.8L (6068TF150) Engine



ALTERNATOR

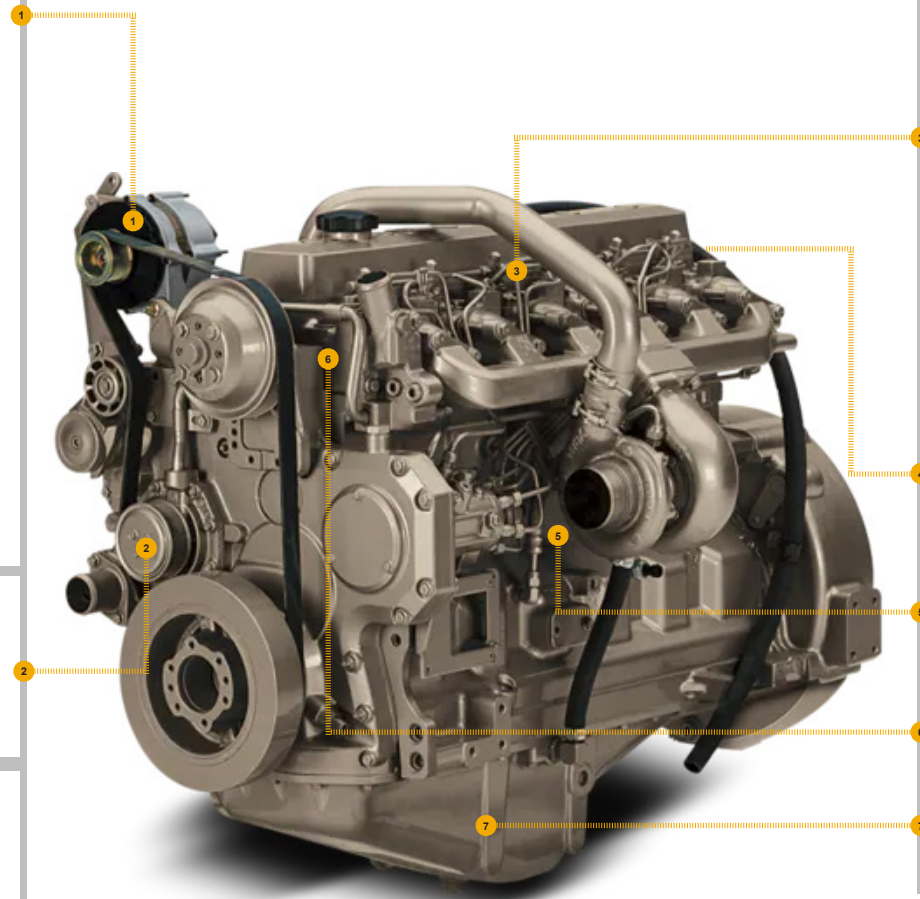
[SE501342](#) (REMAN FOR [AH137883](#))
(12V, 95A) (3107)
[SE501343](#) (REMAN FOR [AH165975](#))
(12V, 120A) (3108)
[SE501387](#) (REMAN FOR [AT173624](#))
(12V, 65A) (3109) (3111) (3115) (3122)
[SE501341](#) (REMAN FOR [AT175195](#))
(24V, 45A) (3104)
[SE501341](#) (REMAN FOR [AT185696](#))
(24V, 45A) (3104)
[SE501348](#) (REMAN FOR [AT208541](#))
(24V, 80A) (3124)
[SE501387](#) (REMAN FOR [AT220393](#))
(12V, 65A) (3109)
[SE501342](#) (REMAN FOR [AT220394](#))
(12V, 95A) (3107)
[RM100224](#) (REMAN FOR [RE505895](#))
(12V, 75A) (3135)
[SE501823](#) (REMAN FOR [RE506196](#))
(12V, 55A) (3101) (3115) (3122)
[SE502626](#) (REMAN FOR [RE533516](#))
(12V, 75A) (3109) (3111)
[SE502627](#) (REMAN FOR [RE533653](#))
(12V, 95A) (3107)
[SE502628](#) (REMAN FOR [RE533654](#))
(12V, 120A) (3108)
[SE501341](#) (REMAN FOR [TY24322](#))
(24V, 45A) (3104)

WATER PUMP

[SE501951](#) (REMAN FOR [RE504911](#))
[SE501609](#) (REMAN FOR [RE505980](#))
(4403) (4404) (4425)
[SE501609](#) (REMAN FOR [RE546906](#))
(4425) (4426)

AC COMPRESSOR

[RE69716](#) (REMAN FOR [SE501459](#)) (7406)
[SE503059](#) (REMAN FOR [RE52454](#))
(7406) (7410)
[SE503064](#) (REMAN FOR [AT172975](#)) (7413)
[SE503065](#) (REMAN FOR [RE46609](#))
(7406) (7412) (7410)



INJECTION NOZZLE

[SE501101](#) (REMAN FOR [RE48786](#))
(16BE) (16CN) (16CP) (16CW) (16CX)
(16CY) (16DK) (16DY) (16GM) (16GN)
(16GS) (16GT) (16KK) (16LS) (16LT) (16LU)
(16LX) (16LY) (1614) (1680) (1681) (1688)
(1696) (1697) (16MG) (16MH) (16GS) (16DK)
(16LU) (1696) (16GM) (16CY) (16CP)
[SE500682](#) (REMAN FOR [RE501302](#)) (16BE)
(16CN)
[SE501102](#) (REMAN FOR [RE60062](#)) (1614)
(1680) (16LR)
[SE501266](#) (REMAN FOR [RE69787](#)) (1696)
[SE501267](#) (REMAN FOR [RE69789](#)) (1614)
[SE501268](#) (REMAN FOR [RE69791](#)) (16LT)



FUEL INJECTION PUMP

[SE500984](#) (REMAN FOR [RE63559](#)) (16BE)
[SE501321](#) (REMAN FOR [RE509503](#)) (16BE)



CONNECTING ROD

[SE501096](#) (REMAN FOR [RE500002](#)) (4805)
(4807) (4828)
[SE501095](#) (REMAN FOR [RE60272](#)) (4807)



CYLINDER HEAD

[SE501581](#) (REMAN FOR [RE57489](#)) (5107)



OIL PUMP

[SE501814](#) (REMAN FOR [DZ100057](#)) (5001)



JOHN DEERE

Genuine Parts and Service

REMAN PARTS GUIDE

PowerTech 6.8L (6068TF150) Engine



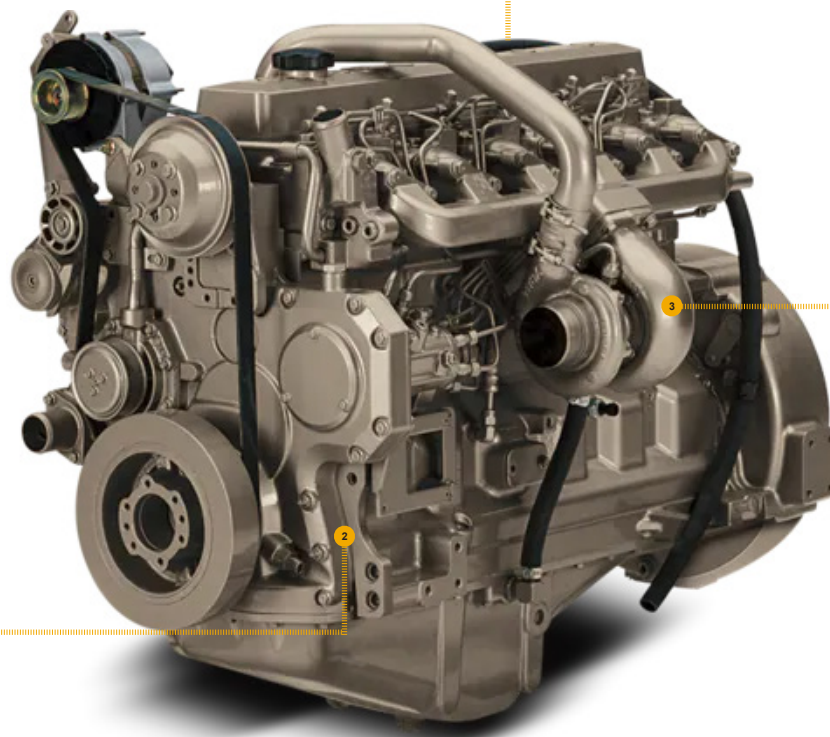
STARTER

- [SE501401](#) (REMAN FOR [RE540301](#)) (12V, 2.5KW) (3005)
- [SE501403](#) (REMAN FOR [RE70957](#)) (12V) (3006) (3060)
- [SE501403](#) (REMAN FOR [TY24439](#)) (12V) (3006)
- [SE501405](#) (REMAN FOR [RE70474](#)) (12V) (3010)
- [SE501405](#) (REMAN FOR [RE70960](#)) (12V) (3010)
- [SE501406](#) (REMAN FOR [RE501150](#)) (3041) (3061) (3088) (3002)
- [SE501406](#) (REMAN FOR [TY24443](#)) (24V) (3088) (3002) (3041)
- [SE501407](#) (REMAN FOR [RE500345](#)) (24V) (3031)
- [SE501407](#) (REMAN FOR [RE70961](#)) (3001) (3061)
- [SE501408](#) (REMAN FOR [RE65175](#)) (3003)
- [SE501409](#) (REMAN FOR [RE65190](#)) (12V) (3013)
- [SE501850](#) (REMAN FOR [RE507639](#)) (12V) (3073)
- [SE502631](#) (REMAN FOR [RE523501](#)) (12V, 4.2KW) (3073) (3088)
- [SE502632](#) (REMAN FOR [RE507236](#))
- [SE502632](#) (REMAN FOR [RE523502](#)) (12V) (3084) (3052) (3088)
- [SE502634](#) (REMAN FOR [RE65189](#)) (24V) (3011)

COMPLETE BLOCK ASSEMBLY

[SE500728](#)

*Includes cylinder head with valves and rocker arm assembly, Includes oil pump assembly, complete gasket kit with front and rear seals.



TURBOCHARGER

- [SE500276](#) (REMAN FOR [RE60074](#)) (6504) (6512) (6522) (6587) (65BA)
- [SE502439](#) (REMAN FOR [RE500291](#)) (65DJ) (65DG) (65DL) (65JS)
- [SE502173](#) (REMAN FOR [RE505057](#)) (6592) (6594) (6595)
- [SE502173](#) (REMAN FOR [RE505059](#)) (6592) (6594) (6595)
- [SE502228](#) (REMAN FOR [RE505059](#)) (6592) (6593) (6594) (6595)
- [SE502439](#) (REMAN FOR [RE505182](#)) (65DG) (65DJ)
- [SE502219](#) (REMAN FOR [RE509384](#)) (65DG) (65DJ)
- [SE502329](#) (REMAN FOR [RE509436](#)) (6504) (6587) (65BA)
- [SE502173](#) (REMAN FOR [RE509533](#)) (6592)
- [SE502183](#) (REMAN FOR [RE515732](#)) (6505)
- [SE502187](#) (REMAN FOR [RE60001](#)) (6505)
- [SE502187](#) (REMAN FOR [RE60075](#)) (6505)



JOHN DEERE
Genuine Parts and Service