

# REPLACEMENT PART GUIDE

## 6081HF001 PowerTech 8.1L OEM Engine (ESN -199999) (Waterloo)



### SHORT BLOCK ASSEMBLY



[DZ114668](#) (MARKED R504850) (9901)

### ALTERNATOR



[RE500713](#) (14 V, 200 A) (3102, 3123)  
[RE65414](#) (24 V, 60 A) (3106, 3124, 3146, 3148)  
[RE500226](#) (12 V, 140 A) (3110, 3145)  
[DZ114957](#) (BOSCH, 24 V, 45 A) (3112)  
[AH165975](#) (BOSCH, 12 V, 120 A) (3120)  
[DZ114956](#) (BOSCH, 12 V, 65 A) (3122)  
[RE500227](#) (12 V, 90 A) (3125, 3150)

### FAN PULLEY



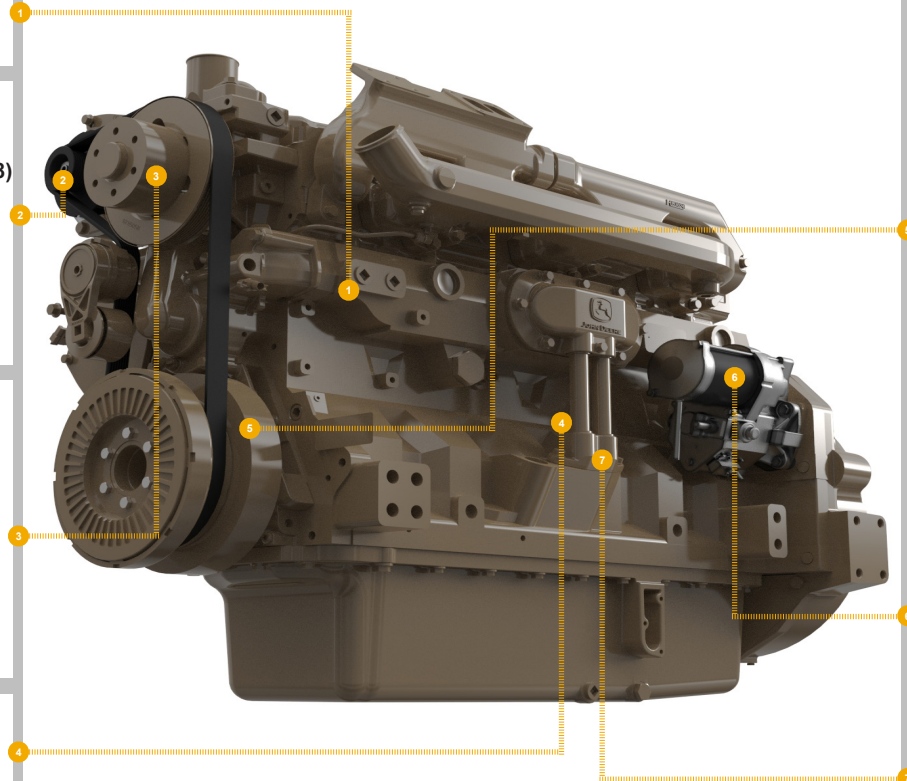
[R505628](#) (236A, 236B, 236C)  
[R120896](#) (237A, 237B)  
[R128654](#) (236D, 238A, 238B)  
[R127398](#) (23AL, 23AM, 23BL, 23CL, 23DL, 23EL, 23FL)  
[R127399](#) (23BC, 23CC, 23DC, 23EC, 23FC)  
[R128904](#) (23BU, 23CU, 23DU, 23EU, 23FU)  
[R500135](#) (23CF, 23DF, 23EF, 23FF)

### FUEL FILTER



[AR86745](#) (3503, 3506, 3507, 3508, 3509, 3518, 3524)  
[RE508633](#) (3504, 3521, 3539)

500 hrs of operation or every 12 months.



### CRANKSHAFT PULLEY AND DAMPER

[R520182](#) (1302)  
[R518277](#) (D = 184 mm) (1303)  
[R520183](#) (1304, 1307, 1345)  
[RE523526](#) (D = 279 mm) (1306)



### TORSIONAL DAMPER

[RE57604](#) (D = 271 mm) (1303, 1341, 1346)  
[RE500917](#) (D = 279 mm) (1302)  
[RE48454](#) (1304)  
[RE64345](#) (D = 279 mm) (1307)  
[DZ119883](#) (D = 350 mm) (1319, 1325)  
[RE57603](#) (D = 279 mm) (1345)  
[RE500934](#) (D = 279 mm) (1346)



### STARTER

[RE69704](#) (12 V, 4 KW) (3001, 3004)  
[RE501060](#) (24 V, 7.8 KW) (3002)  
[RE501150](#) (24 V) (3003)



### OIL FILTER

[DZ118156](#) (INCLUDES R43660) (5901, 5910, 5914, 5942)



500 hrs of operation or every 12 months.

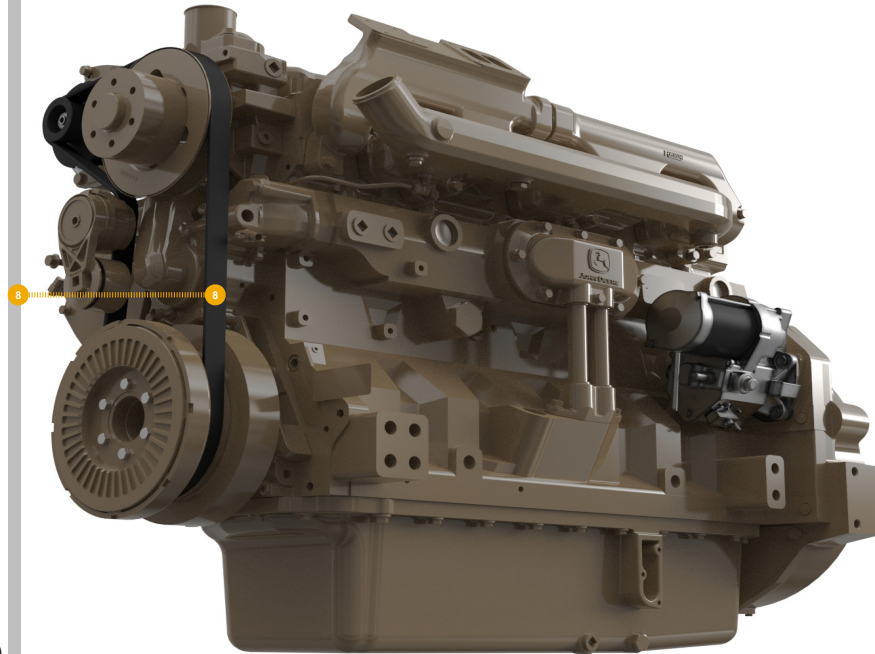
# REPLACEMENT PART GUIDE

## 6081HF001 PowerTech 8.1L OEM Engine (ESN -199999) (Waterloo)



### FAN BELT

- [DZ119530](#) (LGTH = 1670 mm) (2401)
- [DZ118781](#) (LGTH = 1700 mm) (2402)
- [DZ123507](#) (LGTH = 1730 mm) (2403)
- [DZ118827](#) (LGTH = 1760 mm) (2404)
- [DZ118830](#) (LGTH = 1800 mm) (2405, 2439, 2450)
- [DZ118832](#) (LGTH = 1825 mm) (2406, 2440)
- [DZ118833](#) (LGTH = 1845 mm) (2407, 2441)
- [DZ119648](#) (LGTH = 1860 mm) (2408)
- [DZ118834](#) (LGTH = 1870 mm) (2409, 2442)
- [T428703](#) (LGTH = 1920 mm) (2410)
- [DZ118855](#) (LGTH = 1965 mm) (2411)
- [T437052](#) (LGTH = 1990 mm) (2412, 2443)
- [T428705](#) (LGTH = 2045 mm) (2414)
- [DZ118801](#) (LGTH = 1720 mm) (2415)
- [DZ118826](#) (LGTH = 1750 mm) (2416)
- [R135594](#) (LGTH = 1770 mm) (2417)
- [T428694](#) (LGTH = 1790 mm) (2418)
- [T428698](#) (LGTH = 1815 mm) (2419)
- [T428701](#) (LGTH = 1990 mm) (2420)
- [T437051](#) (LGTH = 1935 mm) (2421)
- [DZ118858](#) (LGTH = 1945 mm) (2422)
- [DZ118885](#) (LGTH = 1985 mm) (2423)
- [DZ119714](#) (LGTH = 2575 mm) (2424, 2445)
- [R135664](#) (LGTH = 2590 mm) (2425, 2446)
- [DZ119048](#) (LGTH = 2605 mm) (2426, 2447, 2448)
- [DZ119047](#) (LGTH = 2615 mm) (2427)
- [DZ118861](#) (LGTH = 2015 mm) (2428, 2444)
- [T428848](#) (LGTH = 2520 mm) (2429)
- [DZ119051](#) (LGTH = 2530 mm) (2430)
- [R135615](#) (LGTH = 2545 mm) (2431)
- [DZ119052](#) (LGTH = 2560 mm) (2432)
- [DZ119645](#) (2433)
- [DZ119644](#) (LGTH = 2545 mm) (2434)
- [DZ119010](#) (LGTH = 2120 mm) (2435)
- [DZ119050](#) (LGTH = 2645 mm) (2436)
- [DZ118856](#) (LGTH = 2025 mm) (2437)
- [DZ119643](#) (LGTH = 2320 mm) (2449)
- [DZ119521](#) (LGTH = 2633 mm) (2458)



**JOHN DEERE**  
Genuine Parts and Service

# REMAN PARTS GUIDE

## 6081HF001 PowerTech 8.1L OEM Engine (ESN -199999) (Waterloo)



### ENGINE CONTROLLER

- [SE502809](#) (REMAN FOR [RE502404](#)) (12 V) (1621, 1633, 1630, 1633, 16CL)
- [SE502910](#) (REMAN FOR [RE501845](#) OR [RE68694](#)) (1630)
- [SE502900](#) (REMAN FOR [RE64455](#) OR [RE501831](#)) (1621)

### CONNECTING ROD

- [SE501767](#) (REMAN FOR [RE535555](#)) (4802)
- [SE500501](#) (REMAN FOR [RE53154](#)) (086535) (4801, 4802)
- [SE501065](#) (REMAN FOR [RE501513](#)) (086536) (4802)
- [SE501591](#) (REMAN FOR [RE57750](#)) (5108, 5109)

### ALTERNATOR

- [SE501387](#) (REMAN FOR [AT173624](#) OR [TY6799](#)) (BOSCH, 12 V, 65 A) (3107)
- [SE501381](#) (REMAN FOR [RE34888](#)) (12 V, 200 A) (3102, 3108)
- [SE501839](#) (REMAN FOR [RE500226](#)) (12 V, 140 A) (3101, 3110, 3145)
- [SE501836](#) (REMAN FOR [RE500227](#)) (12 V, 90 A) (3125, 3143, 3150)
- [SE502626](#) (REMAN FOR [RE533516](#)) (12 V, 75 A) (3122)
- [SE501842](#) (REMAN FOR [RE65414](#)) (24 V, 60 A) (3106, 3109, 3148, 3146, 3124)
- [SE501341](#) (REMAN FOR [AT185696](#) OR [TY24322](#)) (24 V, 45 A) (3112, 3113)
- [SE501348](#) (REMAN FOR [TY25955](#)) (BOSCH, 24 V, 80 A) (3103, 3116)
- [SE501343](#) (REMAN FOR [AH165975](#)) (BOSCH, 12 V, 120 A) (3104, 3120)
- [SE501342](#) (REMAN FOR [AT220394](#) OR [TY24485](#)) (BOSCH, 12 V, 95 A) (3105, 3121)
- [SE501372](#) (REMAN FOR [RE31694](#) OR [TY6686](#)) (12 V, 78 A) (3110, 3140)

### WATER PUMP

- [SE501596](#) (REMAN FOR [RE521502](#)) (2014)

### OIL PUMP

- [SE500877](#) (REMAN FOR [RE507076](#)) (5002)
- [SE501270](#) (REMAN FOR [RE519513](#) OR [RE533975](#)) (5002) (GEAR NOT INCLUDED)

### CYLINDER HEAD

- [SE501591](#) (REMAN FOR [RE57750](#)) (5108, 5109)

### COMPLETE BLOCK ASSEMBLY

- [SE500864](#) (9901)  
May not be as illustrated, includes cylinder head with valves and rocker arm assembly, oil pump assembly, complete gasket kit with front and rear seals.

### TURBO CHARGER

- [SE500428](#) (REMAN FOR [RE63165](#)) (6503, 6526)
- [SE500423](#) (REMAN FOR [RE61716](#)) (6504, 6508, 6525, 6530)
- [SE500412](#) (REMAN FOR [RE501989](#)) (6514)
- [SE500417](#) (REMAN FOR [RE503865](#)) (6534, 6535, 6536)

### STARTER

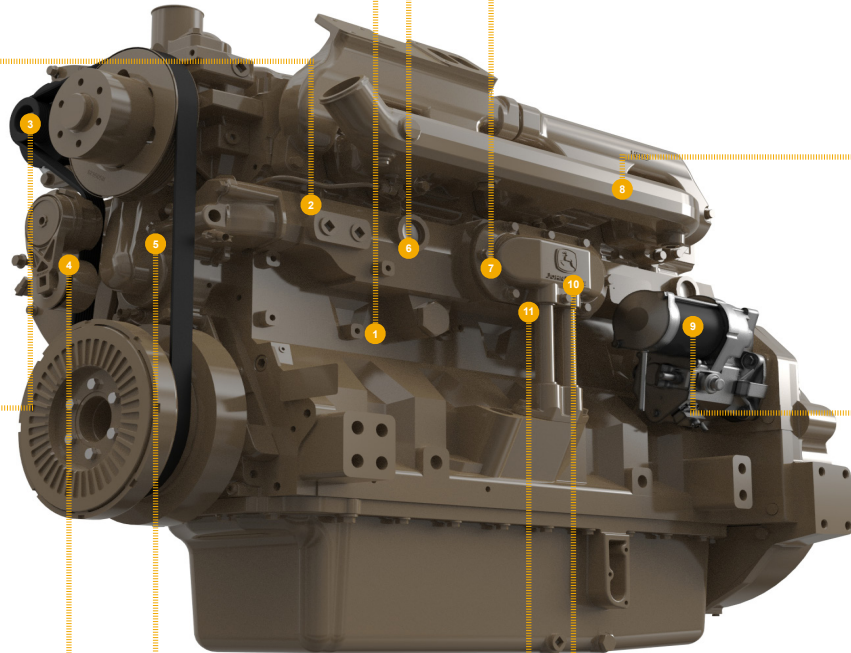
- [SE501406](#) (REMAN FOR [RE501150](#), [RE501060](#) OR [TY24443](#)) (3002, 3003) (24 V, 7.8 KW)
- [SE501403](#) (REMAN FOR [RE70957](#) OR [TY24439](#)) (3001, 3003, 3004, 30CF) (12 V)
- [SE501452](#) (REMAN FOR [RE41755](#) OR [TY6729](#)) (12 V) (3006)

### AC COMPRESSOR

- [SE503064](#) (REMAN FOR [AT172975](#)) (24 V, 10 PA) (7426, 7421, 7422, 7428, 7429, 7431, 7432, 7438)
- [SE503065](#) (REMAN FOR [RE46609](#) OR [TY6764](#)) (12 V, 10 PA) (7401, 7402, 7406, 7408, 7409, 7411, 7412, 7413, 7418)
- [SE503055](#) (REMAN FOR [RE69716](#)) (7411)
- [SE503059](#) (REMAN FOR [RE55422](#)) (12 V, 10 PA) (7422, 7426)

### FUEL INJECTION NOZZLE

- [SE501124](#) (REMAN FOR [RE61593](#)) (1619, 1622, 1623, 1624)
- [SE501123](#) (REMAN FOR [RE57152](#)) (1621, 1630, 1633)
- [SE500363](#) (REMAN FOR [RE61658](#)) (1630)
- [SE500364](#) (REMAN FOR [RE503345](#) AND [RE507686](#)) (1630, 1693)
- FUEL INJECTION PUMP**  
[SE501915](#) (REMAN FOR [RE507959](#)) (16EF)



**JOHN DEERE**  
Genuine Parts and Service