



# REPLACEMENT PART GUIDE

## 8.1L PowerTech OEM Engine (6081AF001)



### OIL FILTER

[RE57399](#) (5901, 5910, 5914, 5942)

500 hrs of operation or every 12 months.



### FUEL FILTER

[RE508633](#) (3504, 3506, 3521, 3523, 3539, 3506)

500 hrs of operation or every 12 months



### STARTER

[RE70957](#) (12V) (3001, 3004, )

[RE501150](#) (24V) (3002, 3003)

[RE57078](#) (24V) (3005)



### ALTERNATOR

[RE500226](#) (12V, 140A) (3101, 3110, 3145)

[RE500713](#) (12V, 200A) (3102, 3108, 3123)

[AH165975](#) (12V, 120A) (3104, 3120)

[AT220394](#) (12V, 95A) (3105, 3121)

[RE65414](#) (24V, 60A) (3106, 3109, 3124, 3148, 3146)

[AT220393](#) (12V, 65A) (3107)

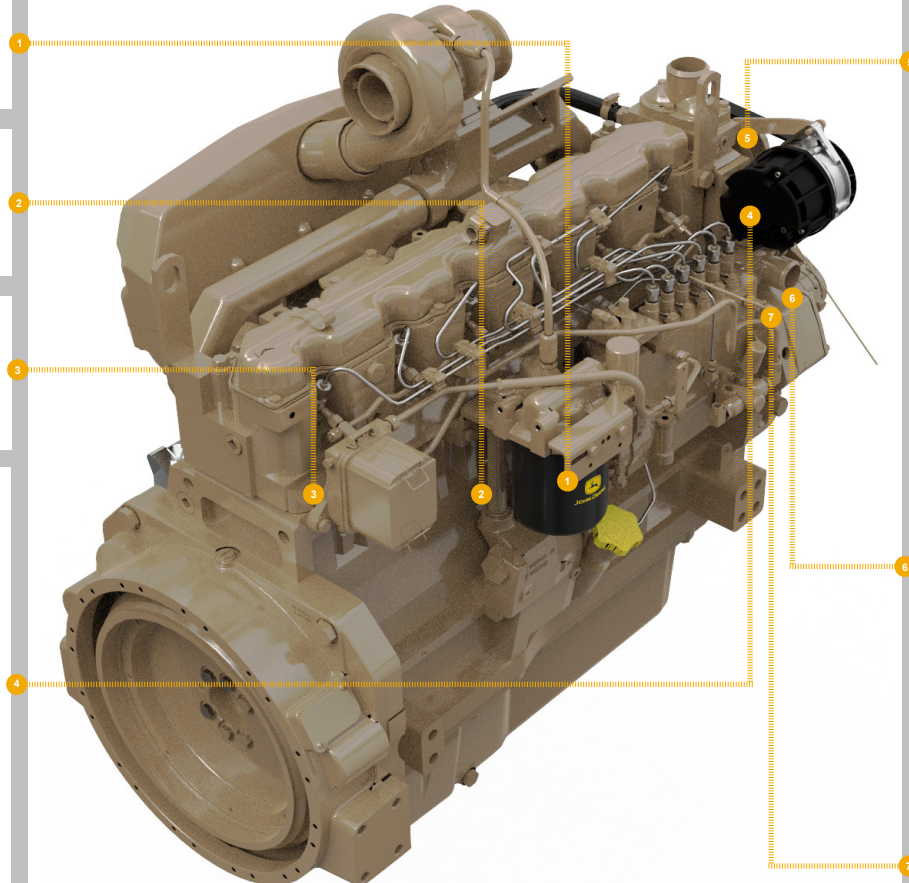
[RE31694](#) (12V, 78A) (3110, 3140)

[AT130930](#) (24V, 40A) (3111, 3142, 3142)

[AT185696](#) (24V, 45A) (3112, 3113)

[AT173624](#) (12V, 65A) (3122)

[RE500227](#) (12V, 90A) (3125, 3143, 3150)



### FAN PULLEY

[R127398](#) (OD = 217.5 mm) (2303, 2309, 2314, 2341, 2342, 2343, 2344, 23AL, 23AM, 23BL, 23CL, 23DL, 23EL, 23FL)

[R127399](#) (OD = 297.4 mm) (2304, 2313, 2345, 2346, 2347, 23BC, 23CC, 23DC, 23EC, 23FC)

[R128654](#) (OD = 172.3 mm) (2305, 2306, 238A, 238B)



[R500135](#) (OD = 268.83 mm) (2308, 2348, 2349, 2350, 23CF, 23DF, 23EF, 23FF)

[R500386](#) (2311, 236B)

[R505628](#) (OD = 206.5 mm) (2335, 2338, 236A, 236C)

[R120896](#) (OD = 183 mm) (2336, 2339, 237A, 237B)

[R128904](#) (OD = 183.5 mm) (2340, 2351, 2352, 2353, 2354, 23BU, 23CU, 23DU, 23EU, 23FU)

### CRANKSHAFT PULLEY

[R518277](#) (OD = 184 mm) (1303)

[R106998](#) (OD = 163 mm) (1304, 1307, 1345)

[R135028](#) (OD = 217.5 mm) (1348)

[RE501764](#) (OD = 279.4 mm) (1306)

[RE500934](#) (OD = 279.4 mm) (1346)



### DAMPER

[RE57604](#) (OD = 271.7 mm) (1302, 1341, 1346, 1348)

[RE500917](#) (OD = 279.4 mm) (1302, 1303, 1341, 1348)

[RE57603](#) (OD = 279.15 mm) (1303, 1345, 1346)

[RE48454](#) (OD = 279.4 mm) (1304, 1311)

[RE64345](#) (OD = 279.4 mm) (1306, 1307)

[RE64346](#) (OD = 279.4 mm) (1306)





# REPLACEMENT PART GUIDE

## 8.1L PowerTech OEM Engine (6081AF001)

### SHORT BLOCK ASSEMBLY

#### [RE504460](#)

Also order R107623 and RE42081 with codes 4006, 4010) (Also order R121765 with codes 4002,4003,4007) (Also order R120801 with codes 4008,4009) 107 mm, CODE 4602; MARKED R115471; SUB RE525810 AND R502773; APPL; PISTON MARKED RE70688, RE502656, RE65289, RE53000 OR RE64170; HELICAL GEAR.

#### [RE525810](#)

Also order R107623 and RE42081 with codes 4006, 4010) (Also order R121765 with codes 4002,4003,4007) (Also order R120801 with codes 4008,4009) 107 mm, CODE 4602; MARKED R115471; W/O AUX DRIVE; W/O OIL HOLE; PISTON MARKED RE70688, RE502656, RE65289, RE53000 OR RE64170; SPUR GEAR.

#### [RE502818](#)

Also order R107623 and RE42081 with codes 4006, 4010) (Also order R121765 with codes 4002,4003,4007) (Also order R120801 with codes 4008,4009) 107 mm, CODE 4602; MARKED R127723; SUB RE526232 AND R502773; APPL; PISTON MARKED RE70688; HELICAL GEAR.

#### [RE526232](#)

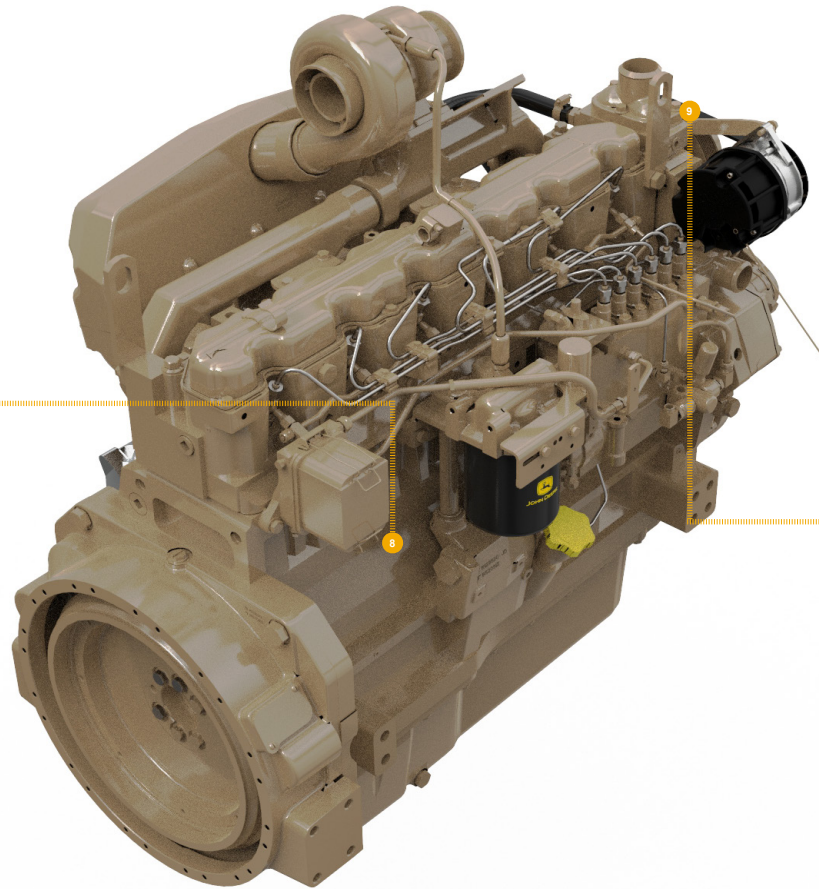
Also order R107623 and RE42081 with codes 4006, 4010) (Also order R121765 with codes 4002,4003,4007) (Also order R120801 with codes 4008,4009) 107 mm, CODE 4602; MARKED R127723; PISTON MARKED RE70688; W/AUX DRV, W/OIL HOLE; SPUR GEAR.

#### [RE504204](#)

Also order R107623 and RE42081 with codes 4006, 4010) (Also order R121765 with codes 4002,4003,4007) (Also order R120801 with codes 4008,4009) 85 mm, CODE 4603; MARKED R120028; SUB RE527031 AND R502773; APPL; PISTON MARKED RE70688; HELICAL GEAR.

#### [RE527031](#)

Also order R107623 and RE42081 with codes 4006, 4010) (Also order R121765 with codes 4002,4003,4007) (Also order R120801 with codes 4008,4009) 85 mm, CODE 4603; MARKED R120028; PISTON MARKED RE70688; W/AUX DRIVE W/OIL HOLE; SPUR GEAR.



### FAN BELT

[DZ119530](#) (LGTH = 1675 mm) (2401)

[DZ118781](#) (LGTH = 1700 mm) (2402)

[DZ123507](#) (LGTH = 1730 mm) (2403)

[DZ118827](#) (LGTH = 1760 mm) (2404, 2438)

[DZ118830](#) (LGTH = 1800 mm) (2405, 2439, 2450)

[DZ118832](#) (LGTH = 1825 mm) (2406, 2440)

[DZ118833](#) (LGTH = 1845 mm) (2407, 2441)

[DZ119648](#) (LGTH = 1860 mm) (2408)

[DZ118834](#) (LGTH = 1870 mm) (2409, 2442)

[T428703](#) (LGTH = 1920 mm) (2410)

[DZ118855](#) (LGTH = 1965 mm) (2411)

[T437052](#) (LGTH = 1980 mm) (2412, 2443)

[DZ118861](#) (LGTH = 2015 mm) (2413, 2428, 2444)

[T428705](#) (LGTH = 2045 mm) (2414)

[DZ118801](#) (LGTH = 1720 mm) (2415)

[DZ118826](#) (LGTH = 1750 mm) (2416)

[R135594](#) (LGTH = 1770 mm) (2417)

[T428694](#) (LGTH = 1710 mm) (2418)

[T428698](#) (LGTH = 1815 mm) (2419)

[T428701](#) (LGTH = 1900 mm) (2420)

[T437051](#) (LGTH = 1935 mm) (2421)

[DZ118858](#) (LGTH = 1945 mm) (2422)

[DZ118885](#) (LGTH = 1990 mm) (2423)

[DZ119714](#) (LGTH = 2575 mm) (2424, 2445)

[R135664](#) (LGTH = 2590 mm) (2425, 2446)

[DZ119048](#) (LGTH = 2605 mm) (2426, 2447, 2448)

[DZ119047](#) (LGTH = 2620 mm) (2427)

[T428848](#) (LGTH = 2520 mm) (2429)

[DZ119051](#) (LGTH = 2530 mm) (2430)

[R135615](#) (LGTH = 2545 mm) (2431)

[DZ119052](#) (LGTH = 2560 mm) (2432)

[DZ119645](#) (LGTH = 2633 mm) (2433)

[DZ119644](#) (LGTH = 2550 mm) (2434)

[DZ119010](#) (LGTH = 2120 mm) (2435)

[DZ119050](#) (LGTH = 2645 mm) (2436)

[DZ118856](#) (LGTH = 2025 mm) (2437)

[DZ119643](#) (LGTH = 2315 mm) (2449)



**JOHN DEERE**

Genuine Parts and Service

# REMAN PARTS GUIDE

## 8.1L PowerTech OEM Engine (6081AF001)



### CONNECTING ROD

- [SE500501](#) (REMAN FOR [RE53154](#) (4801) (4803))
- [SE501065](#) (REMAN FOR [DZ100118](#) (4801) (4802) (4803))
- [SE501230](#) (REMAN FOR [RE522977](#) (4802))

### COMPRESSOR

- [SE503065](#) (REMAN FOR [RE46609](#) (7401) (7402) (7406) (7409) (7411) (7412) (7413) (7418) (7433))
- [SE501462](#) (REMAN FOR [RE46609](#) (7408) (7418))
- [SE503064](#) (REMAN FOR [AT172975](#) (7421) (7426) (7428) (7429) (7431) (7432) (7438))
- [SE503059](#) (REMAN FOR [RE52454](#) (7422) (7246))

### INJECTION NOZZLE

- [SE501123](#) (REMAN FOR [RE57152](#) (1601))
- [SE501124](#) (REMAN FOR [RE61593](#) (1601) (1602) (1603) (1604) (1605) (1606) (1607) (1608))

### STARTER

- [SE501455](#) (REMAN FOR [RE43300](#) (3016) (3005))
- [SE501452](#) (REMAN FOR [TY6729](#) (3011) (3006))
- [SE501403](#) (REMAN FOR [TY24439](#) (3004) (3001))
- [SE501406](#) (REMAN FOR [RE501150](#) (3002) (3003))
- [SE501423](#) (REMAN FOR [RE57078](#) (3005))

### CYLINDER HEAD

- [SE501591](#) (REMAN FOR [RE57750](#) (5108) (5109))

### CONTROLLER

- [SE502910](#) (REMAN FOR [RE68694](#) (1630))
- [SE502809](#) ((LEVEL 3)REMAN FOR [RE502404](#) (1630) (1633))

### FUEL INJECTION PUMP

- [SE501091](#) (REMAN FOR [RE502438](#) (1601) (1602))

### TURBOCHARGER

- [SE500430](#) (REMAN FOR [RE65361](#) (6501) (6524) (6529))
- [SE500416](#) (REMAN FOR [RE502918](#) (6502))
- [SE500425](#) (REMAN FOR [RE63162](#) (6506) (6507) (6523))
- [SE500431](#) (REMAN FOR [RE65540](#) (6508) (6520) (6530) (6520))
- [SE500427](#) (REMAN FOR [RE63164](#) (6510) (6522) (6531))
- [SE500432](#) (REMAN FOR [RE65622](#) (6511) (6512) (6518) (6573))
- [SE500412](#) (REMAN FOR [RE501989](#) (6514))
- [SE500419](#) (REMAN FOR [RE504396](#) (6532) (6533) (6534))
- [SE500426](#) (REMAN FOR [RE63163](#) (6505))

### ALTERNATOR

- [SE501839](#) (REMAN FOR [RE500226](#) (3101) (3110) (3145))
- [SE501381](#) (REMAN FOR [RE34888](#) (3102) (3108))
- [SE501348](#) (REMAN FOR [TY25955](#) (3103) (3116))
- [SE501343](#) (REMAN FOR [AH165975](#) (3104) (3120))
- [SE501342](#) (REMAN FOR [AT220394](#) (3105) (3121))
- [SE501842](#) (REMAN FOR [RE65414](#) (3106) (3109) (3124))
- [SE501387](#) (REMAN FOR [AT220393](#) (3107) (3122))
- [SE501372](#) (REMAN FOR [RE31694](#) (3110) (3140))
- [SE501377](#) (REMAN FOR [AT130930](#) (3111) (3142) )
- [SE501341](#) (REMAN FOR [AT185696](#) (3112) (3113))
- [SE501836](#) (REMAN FOR [RE500227](#) (3125) (3143) (3150))

### WATER PUMP

- [SE501595](#) (REMAN FOR [RE521503](#) (2001) (2003))
- [SE501596](#) (REMAN FOR [RE532596](#) (2014))

### OIL PUMP

- [SE501063](#) (REMAN FOR [RE60622](#) (5002))
- [SE500877](#) (REMAN FOR [RE507076](#) (5002))
- [SE501270](#) (REMAN FOR [RE519513](#) (5002))

