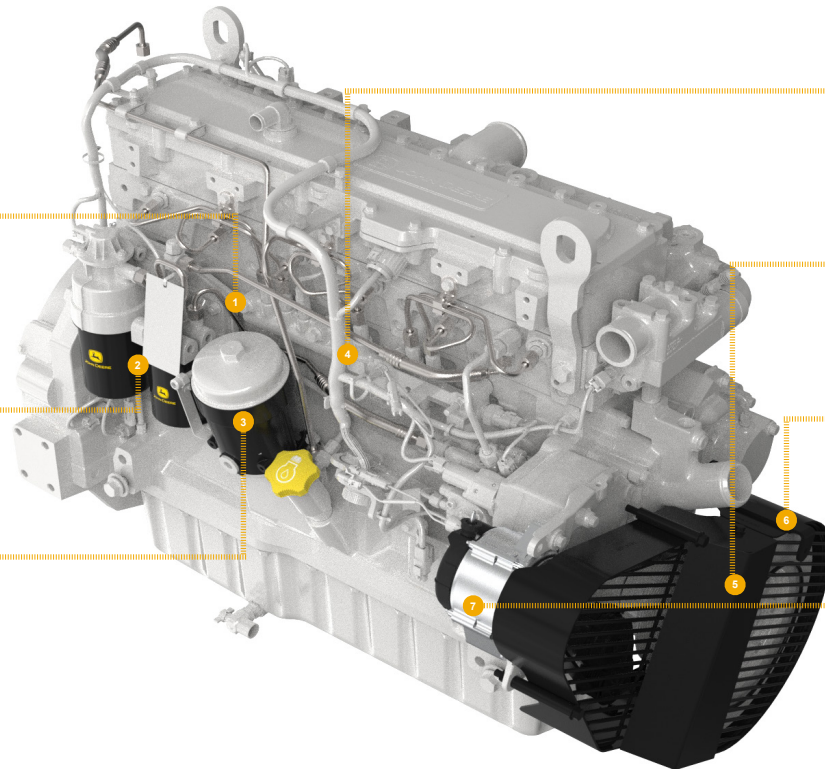




REPLACEMENT PART GUIDE

6090SFM85 PowerTech 9.0L (6090 Tier 2) Marine Engine



STARTER



[RE506103](#) (24V) (3005)

[RE529661](#) (12V) (3001)

[RE564633](#) (24V, 4KW) (3015)

[RE556999](#) (24V) (3014) INCLUDING SAFETY SIGN, LABEL, COVER SOLENOID

FUEL FILTER



[RE527961](#) (3514, 3515, 3516, 3517)

500 hrs of operation or every 12 months.

OIL FILTER



[RE509672](#) (5930, 5937)

[DZ118156](#) (5931, 5938)

500 hrs of operation or every 12 months.

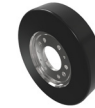
SHORT BLOCK ASSEMBLY



[DZ113610](#)

Also Order Crank Damper, Engine Gasket Kit, Dipstick Tube, Cylinder Head Bolt Kit, Parts From Short Block

TORSIONAL DAMPER



[RE537960](#) (OD = 342 mm) (1350)

[DZ119883](#) (OD = 350 mm) (1359)

FAN BELT



[DZ118761](#) (LGTH = 1296 mm) (2445, 2446, 2452, 24AM)

ALTERNATOR



[RE500226](#) (12V, 140A) (3124)

[RE551448](#) (14V, 150A) (3159)

[RE65414](#) (24V, 60A) (3161)

[RE551447](#) (28V, 100A) (3160)



JOHN DEERE

Genuine Parts and Service



REMAN PARTS GUIDE

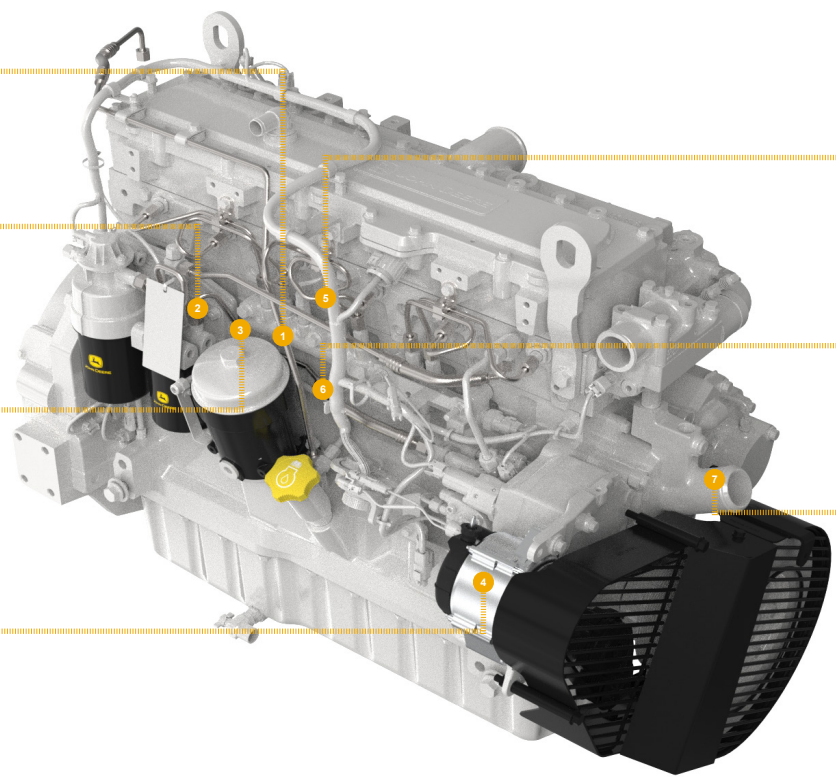
6090SFM85 PowerTech 9.0L (6090 Tier 2) Marine Engine

CYLINDER HEAD
[SE501747](#) (REMAN FOR [RE523680](#)) (5101)

CONNECTING ROD
[SE502544](#) (REMAN FOR [DZ120166](#)) (4804)

STARTER
[SE501866](#) (REMAN FOR [RE506103](#)) (24V) (3005)
[SE501867](#) (REMAN FOR [RE529661](#)) (12V) (3001)
[SE502733](#) (REMAN FOR [RE564633](#)) (24V, 4KW) (3015)

ALTERNATOR
[SE501839](#) (REMAN FOR [RE500226](#)) (12V, 140A) (3124)
[SE501842](#) (REMAN FOR [RE65414](#)) (24V, 60A) (3161)



CONTROLLER
[SE502800](#) (REMAN FOR [RE531808](#)) (LEVEL 14) (8425, 8427, 8477, 8482, 84AN)

FUEL INJECTION PUMP
[SE501922](#) (REMAN FOR [RE571640](#)) (1601, 1608)

FUEL INJECTION NOZZLE
[SE501947](#) (REMAN FOR [DZ100221](#)) (1601)

WATER PUMP
[SE501228](#) (REMAN FOR [RE530194](#)) (2001)