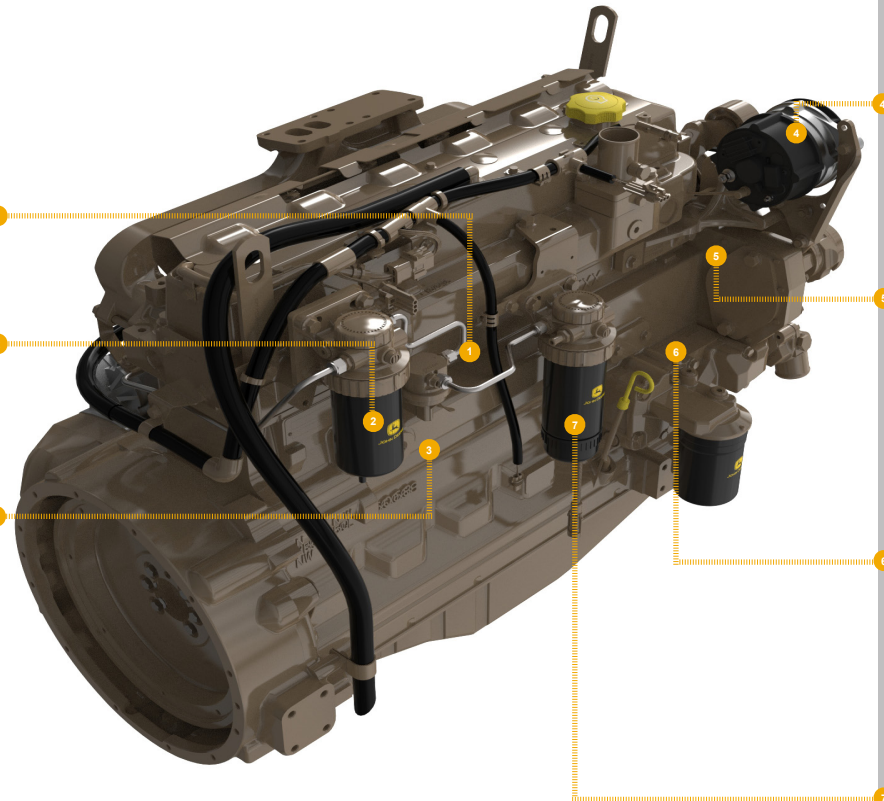




REPLACEMENT PART GUIDE

6125AF001 PowerTech 12.5L Engine



SHORT BLOCK ASSEMBLY



[RE536211](#) (MARKED [R524714](#)) (ALSO ORDER (3) [R521465](#)) (SUB FOR [RE528460](#) AND [RE524760](#)) (9901)

FUEL FILTER



[RE507284](#) (3501) (3502)

500 hrs of operation or every 12 months.

STARTER



[RE522851](#) (DENSO, 12V) (3006) (3008)

[RE522852](#) (MARKED RE522852) (INCLUDES RE515734) (24V) (DENSO) (3007)(3009)

ALTERNATOR



[RE501112](#) (12V, 105 A) (DELCO) (3142) (3113)
[RE500226](#) (12V, 140 A) (DENSO)(3101) (3111)
[RE65414](#) (24V, 60 A) (DENSO) (3106) (3112)
[RE500227](#) (90 A, 12 V) (3114)(3143)

CRANKSHAFT PULLEY



[RE530733](#) (OD = 355 mm)(6801)(6802)(6810)
[RE523267](#) (OD = 355 mm) (6804) (6811,1309)
[RE523266](#) (OD = 355 mm) (6805) (6806)
[RE523268](#) (OD = 355 mm) (6807) (6808)

FAN PULLEY



[R503823](#) (OD = 246 mm) (231J) (234J) (234K) (23BJ) (23CJ) (23DK) (23DJ) (23BL) (23CM) (23DL) (23DM) (234M) (23AL) (23CL)
[R128972](#) (OD = 224 mm) (231L) (234L) (23BL) (23CM) (23DL) (23DM) (234M) (23AL) (23CL)
[R132175](#) (OD = 300 mm) (234G) (23BG) (23BT) (23CG) (23DG)
[R132956](#) (OD = 276 mm) (23BE) (23BR) (23CE) (23DE) (234E)
[RE516050](#) (23CC) (23DC)

OIL FILTER



[RE58935](#) (5901) (5902) (5903)
 500 hrs of operation or every 12 months.



REPLACEMENT PART GUIDE

6125AF001 PowerTech 12.5L Engine

FAN BELT

[DZ118704](#) (LGTH = 1850 mm) (2420)(2408)
(2423)

[DZ118759](#) (LGTH = 1226 mm) (2420)

[R134634](#) (LGTH = 1778 mm) (2427)

[R134635](#) (LGTH = 1179 mm) (2427)

[DZ119547](#) (LGTH = 2033 mm) (2475)(2476)

[N381387](#) (LGTH = 1715 mm) (2422)(2475)

[DZ118693](#) (LGTH = 1589 mm) (2416)(2476)
(2413)

[R131083](#) (LGTH = 1530 mm) (2401)(2407)

[R134638](#) (LGTH = 1384 mm) (2401)

[DZ118761](#) (LGTH = 1296 mm) (2402)

[R133704](#) (LGTH = 1619 mm) (2402)

[DZ118684](#) (LGTH = 1530 mm) (2407)

[DZ118835](#) (LGTH = 1878 mm) (2408)

[DZ123507](#) (LGTH = 1730 mm) (2410)

[R128806](#) (LGTH = 1766 mm) (2410)

[DZ119640](#) (LGTH = 1780 mm) (2411) (2418)
(2415) (2437)

[DZ118828](#) (LGTH = 1780 mm) (2417) (2423)
(2424)

[R133706](#) (LGTH = 1727 mm) (2417)

[DZ118801](#) (LGTH = 1720 mm) (2418) (2424)

[T428701](#) (LGTH = 1900 mm) (2422)

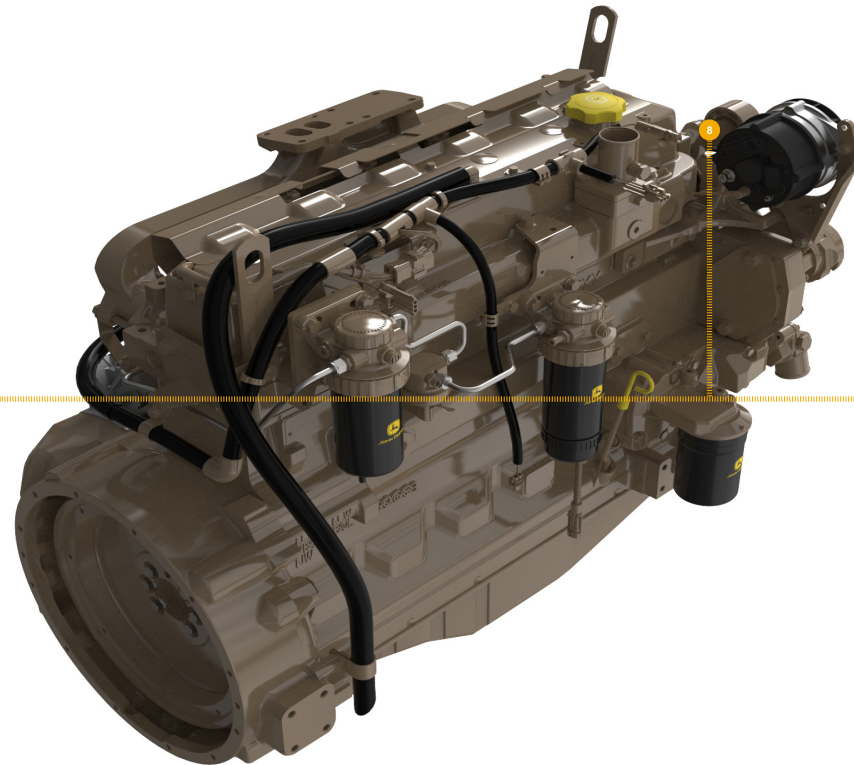
[DZ118779](#) (LGTH = 1430 mm) (2422)(2425)

[DZ118692](#) (LGTH = 1564 mm) (2422) (2425))

[DZ118775](#) (LGTH = 1310 mm) (2426) (2433)

[DZ119558](#) (LGTH = 1635 mm) (2426)

[DZ118834](#) (LGTH = 1870 mm) (2430)



FAN BELT

[DZ118827](#) (LGTH = 1762 mm) (2431)

[DZ119641](#) (LGTH = 1825 mm) (2434) (2435)
(2432)(2428)

[T184592](#) (LGTH = 1900 mm) (2434)

[DZ118996](#) (LGTH = 2110 mm) (2435)

[DZ118832](#) (LGTH = 1825 mm) (2436)

[T428696](#) (LGTH = 1792 mm) (2437)

[R129083](#) (LGTH = 1950 mm) (2407)

[T429109](#) (LGTH = 1660 mm)(2411)

[DZ118753](#) (LGTH = 1159 mm) (2415) (2421)

[DZ118751](#) (LGTH = 1111 mm) (2428)

[DZ118885](#) (LGTH = 1990 mm) (2429)(2409)

[DZ118726](#) (2405) (2409)

[DZ119477](#) (LGTH = 1361 mm) (2405) (2413)
(2419)

[T428703](#) (LGTH = 1926 mm) (2412)

[DZ118705](#) (LGTH = 1890 mm) (2424)

[DZ118781](#) (LGTH = 1700 mm) (2432)

[R133707](#) (LGTH = 1939 mm) (2406)

[R500616](#) (LGTH = 1485 mm) (2406)



REMAN PARTS GUIDE

6125AF001 PowerTech 12.5L Engine

TURBO CHARGER

- [SE501679](#) (REMAN FOR [RE524741](#)) (6523) (6526) (6528) (6531)
- [SE500273](#) (REMAN FOR [RE69007](#)) (6507)
- [SE502205](#) (REMAN FOR [RE500163](#)) (6503) (6508)

CYLINDER HEAD

- [SE500709](#) (REMAN FOR [RE69912](#)) (5102)

CONNECTING ROD

- [SE501726](#) (REMAN FOR RE532355) (4802)
- [SE502394](#) (REMAN FOR RE535965) (4801) (4802)

COMPLETE BLOCK ASSEMBLY

[SE502570](#)

May not be as illustrated. Includes cylinder head with valves and rocker arm assembly, oil pump assembly, complete gasket kit with front and rear seals.

[SE502572](#)

May not be as illustrated. Includes cylinder head with valves and rocker arm assembly, oil pump assembly, complete gasket kit with front and rear seals.

STARTER

- [SE501874](#) (REMAN FOR [RE539584](#)) (12V) (3012)
- [SE502679](#) (REMAN FOR [RE540886](#)) (12V) (3014)
- [SE501862](#) (REMAN FOR [RE515843](#)) (3006) (3004) (3008) (12V)
- [SE501453](#) (REMAN FOR [RE515843](#)) (12V) (3004)

A/C COMPRESSOR

- [SE503064](#) (REMAN FOR [RE500608](#) OR [AT172975](#)) (7407)
- [SE503065](#) (REMAN FOR [RE522738](#) OR [RE46609](#)) (7402)
- [SE503059](#) REMAN FOR [RE52454](#) (7407)

ALTERNATOR

- [SE501343](#) (REMAN FOR [AH165975](#) OR [AE53101](#)) (12 V, 105 A) (3142)
- [SE501832](#) (REMAN FOR [AH211398](#)) (12 V, 185 A) (3144)
- [SE501839](#) (REMAN FOR [RE500226](#)) (12 V, 140 A) (3111) (3101)
- [SE501836](#) (REMAN FOR [RE500227](#)) (12 V, 90 A) (3143)
- [SE501810](#) (REMAN FOR [RE501112](#)) (3142) (3113) (12 V, 105 A) (DELCO)
- [SE501842](#) (REMAN FOR [RE65414](#)) (24 V, 60 A) (3112) (3106)

WATER PUMP

- [SE501592](#) (REMAN FOR [RE530870](#), [RE540308](#) AND [RE545360](#)) (2003) (2001)

OIL PUMP

- [SE501594](#) (REMAN FOR [RE527933](#)) (5001)

ENGINE CONTROLLER

- [SE502812](#) (REMAN FOR [RE507980](#)) (9901) (LEVEL 6) (12 V)

FUEL INJECTION NOZZLE

- [SE501954](#) (010966) (REMAN FOR [RG27867](#)) (1601)(1602) (1603) (1604) (1605) (1606) (1607) (1608) (1610) (1611) (1612) (1613) (1614) (1615) (1616) (1617) (1618) (1619) (1620)
- [SE501952](#) (0033715)(REMAN FOR [RG27869](#)) (1609)(1610) (1611) (1620)
- [SE501955](#) (010967)(REMAN FOR [RG33957](#)) (1601) (1602) (1603) (1604) (1605) (1606) (1607)(1608) (1609) (1610) (1611) (1612) (1613) (1614) (1615) (1616) (1617) (1618) (1619) (1620) (1621) (1622) (1623) (1624) (1625) (1626) (1627) (1628) (1629) (1630) (1631) (1632) (1633) (1634) (1635) (1636) (1637)(1638)(1639)(1640)(1641)
- [SE501953](#) (REMAN FOR [RG33958](#)) (1609) (1610) (1611) (1612) (1620)(1621)
- [SE501957](#) (REMAN FOR [RG33967](#)) (162A)

