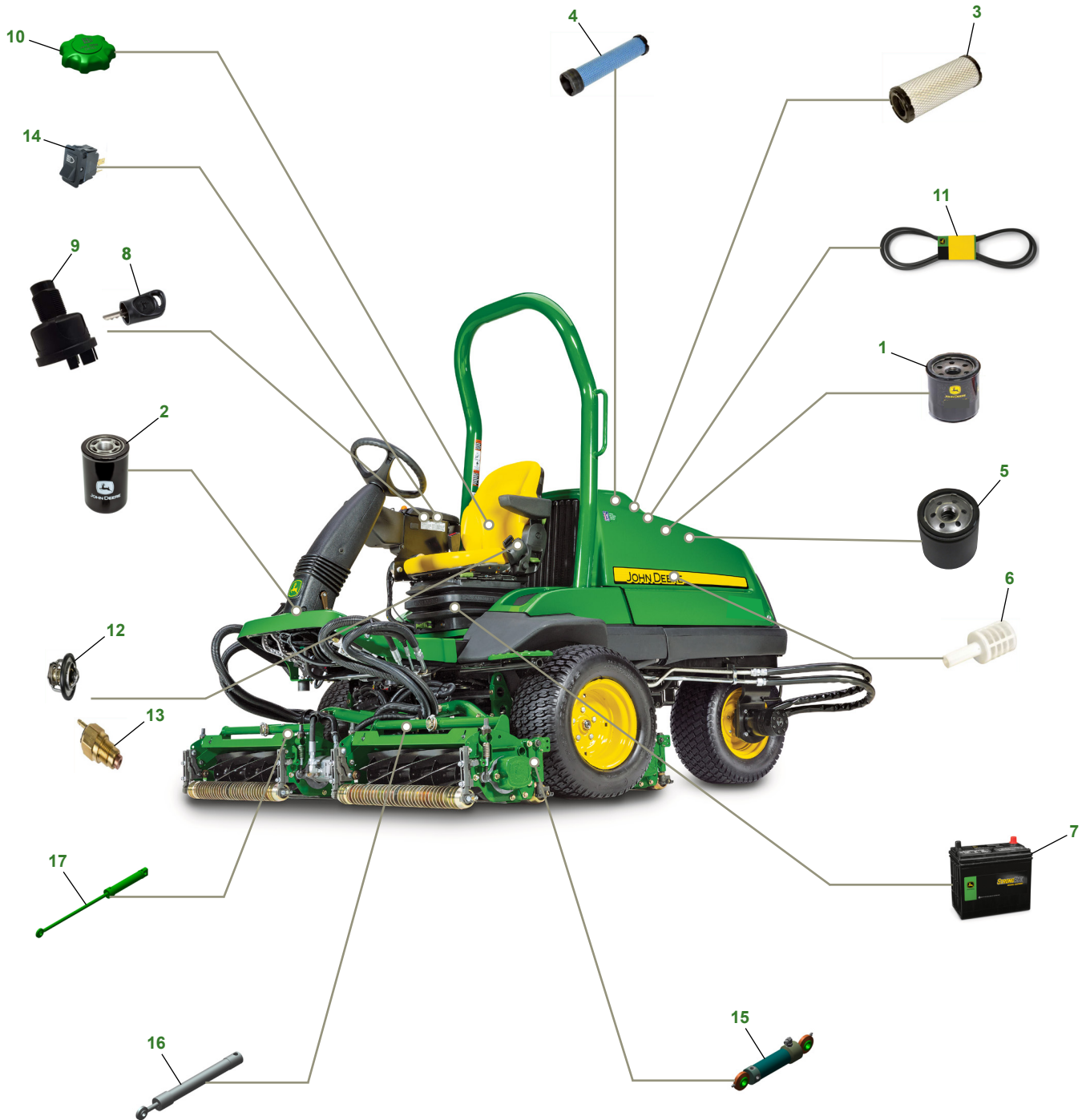


# 7200A PrecisionCut™ Trim and Surrounds Mower

Rough Intermediates and Surrounds



# 7200A PrecisionCut™ Trim and Surrounds Mower (Continued)

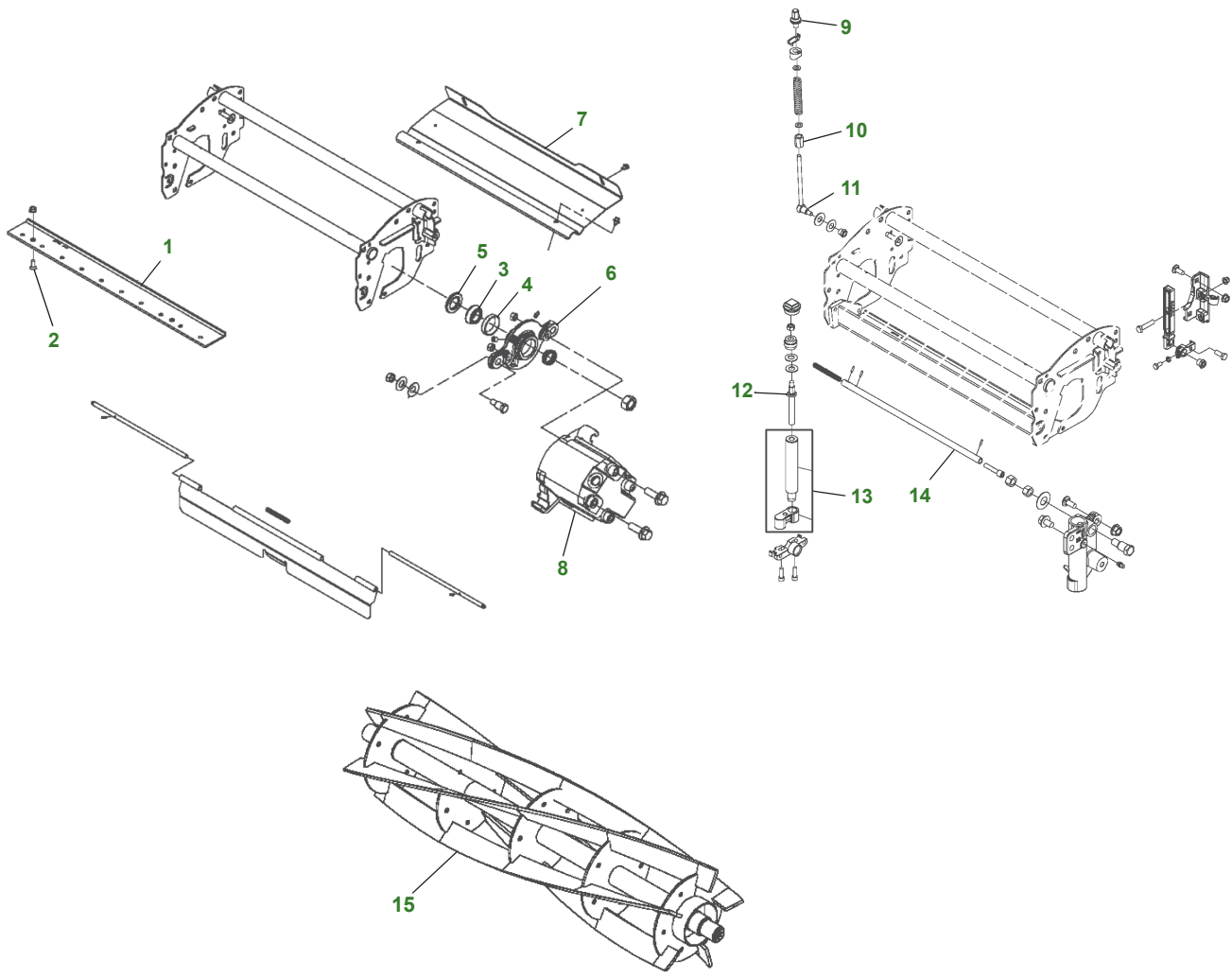
Key	Part No.	Description	Key	Part No.	Description
1	<a href="#">M806418</a>	.....OIL FILTER ELEMENT - ENGINE		<a href="#">AUC15805</a>	.....ROTARY SWITCH (S/N 040001-)
2	<a href="#">LVU14258</a>	.....HYDRAULIC FILTER	10	<a href="#">TCA24601</a>	.....FILLER CAP
3	<a href="#">M131802</a>	.....AIR FILTER ELEMENT - PRIMARY	11	<a href="#">TCU38089</a>	.....BELT - FAN
4	<a href="#">M131803</a>	.....AIR FILTER ELEMENT - SECONDARY		<a href="#">M82461</a>	.....BELT - WATER PUMP
5	<a href="#">MIU800645</a>	.....FUEL FILTER	12	<a href="#">M811895</a>	.....THERMOSTAT (71 deg Celsius or 160 deg Fahrenheit)
6	<a href="#">M811032</a>	.....FUEL SEPARATOR ELEMENT		<a href="#">M812140</a>	.....THERMOSTAT (OPTIONAL - 82 deg Celsius or 180 deg Fahrenheit)
7	<a href="#">MCYP25876</a>	.....WET CHARGED BATTERY - NOT FOR CANADA AND USA	13	<a href="#">CH15516</a>	.....WATER TEMP SWITCH
	<a href="#">TY25876B</a>	.....WET CHARGED BATTERY - FOR CANADA AND USA	14	<a href="#">AM117324</a>	.....HEADLIGHT SWITCH
8	<a href="#">AUC12681</a>	.....KEY	15	<a href="#">TCA24128</a>	.....HYDRAULIC CYLINDER - LIFT
9	<a href="#">TCA22740</a>	.....ROTARY SWITCH (S/N -040000)	16	<a href="#">TCA17627</a>	.....HYDRAULIC CYLINDER - IMPLEMENT SHIFT
			17	<a href="#">TCA17806</a>	.....HYDRAULIC CYLINDER - WIDTH OF CUT

## Parts Needed in First 500 hours of Operation

Qty	Part No.	Item	Capacity	Interval In Hours
2	<a href="#">M806418</a>	Engine Oil Filter		250/500
8	<a href="#">TY26674</a>	Plus-50™ II 15W-40 Engine Oil	3.4 L (3.6 qt)	250/500
1	<a href="#">MIU800645</a>	Fuel Filter		500
1	<a href="#">M131802</a>	Air Filter - Primary		500
1	<a href="#">M131803</a>	Air Filter - Secondary		500
1	<a href="#">LVU14258</a>	Hydraulic Filter		Every 50
1	<a href="#">TY25083</a>	John Deere Special Purpose Golf and Turf Cutting Unit Grease (Cutting Unit and Cutting Unit Attachments)		As Needed
1	<a href="#">TY6341</a>	John Deere Multi-Purpose SD Polyurea Grease (Machine components, lift arms and rollers)		As Needed

\*Refer to Operators Manual for service intervals if using BioDiesel Fuel and Bio Hy-Gard.

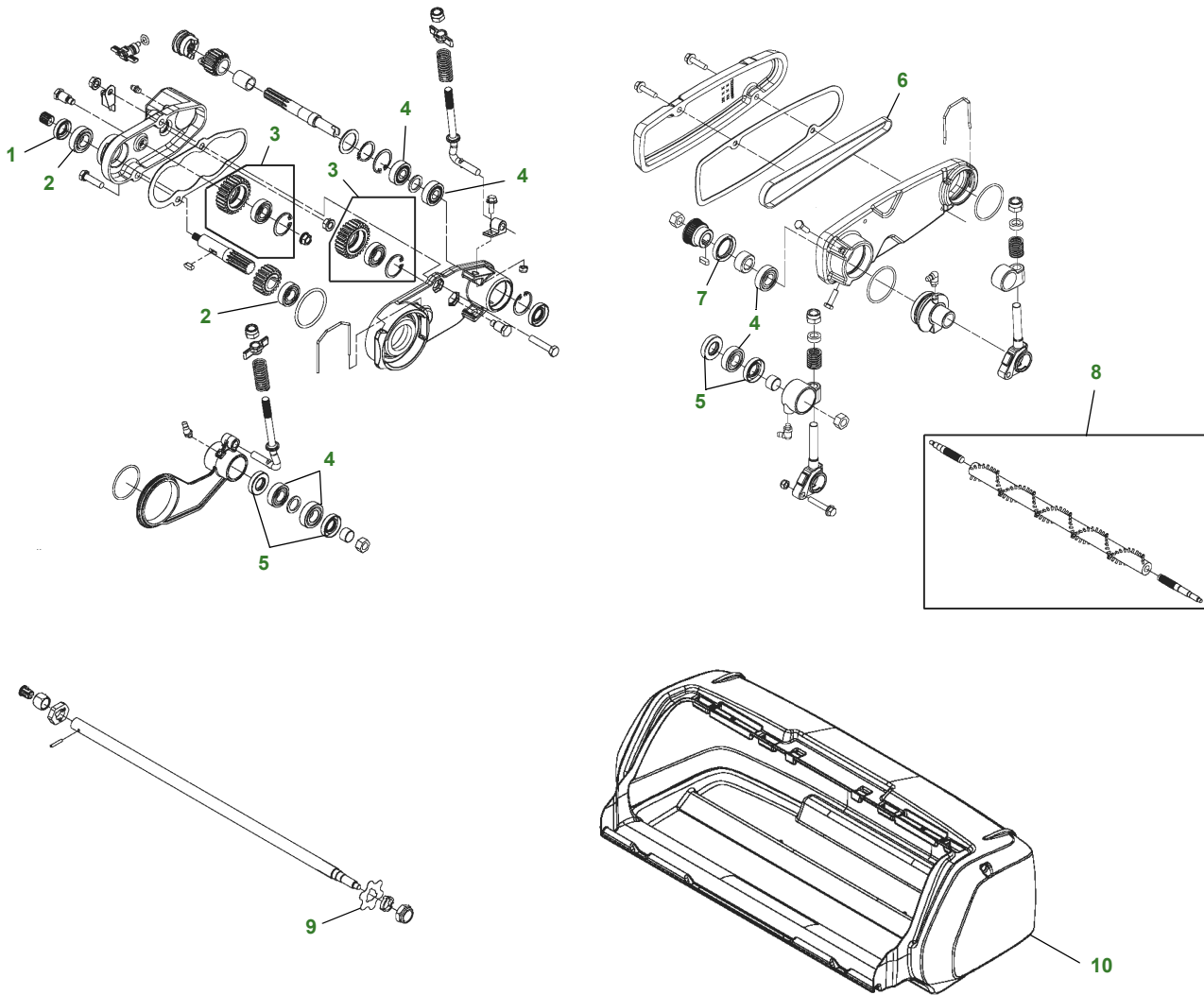
# 7200A PrecisionCut™ Reel Cutting Unit



Rough Intermediates and Surrounds

Key	Part No.	Description	Key	Part No.	Description	
1	<a href="#">UC23481</a>	BEDKNIFE - STANDARD - 26 in.	8	<a href="#">TCA22472</a>	CUTTING UNIT MOTOR	
	<a href="#">TCU34070</a>	BEDKNIFE - LESS AGGRESSIVE HARDENED INSERT - 26 in.		<a href="#">TCA19115</a>	CUTTING UNIT MOTOR SEAL KIT	
	<a href="#">UC23566</a>	BEDKNIFE - TOURNAMENT - 26 in.		9	<a href="#">UC16137</a>	ADJUSTER
	<a href="#">UC23564</a>	BEDKNIFE - STANDARD - 30 in.		10	<a href="#">TCU26315</a>	ADJUSTER
	<a href="#">UC11472</a>	BEDKNIFE - TOURNAMENT - 30 in.		11	<a href="#">TCU25317</a>	ADJUSTER
2	<a href="#">19M7573</a>	SCREW - M8 - (12)	12	<a href="#">TCU26123</a>	ADJUSTER	
	<a href="#">JD8933</a>	BEARING CONE	13	<a href="#">AUC13597</a>	ADJUSTER	
3	<a href="#">JD8253</a>	BEARING CUP	14	<a href="#">TCU29056</a>	TUBE - 26 in.	
	<a href="#">TCU25266</a>	SEAL		<a href="#">TCU26741</a>	TUBE - 30 in.	
6	<a href="#">UC13937</a>	BEARING HOUSING W/O BEARINGS - LH	15	<a href="#">TCA19355</a>	REEL - 5-BLADE - 26 in. - USE W/BM22465	
	<a href="#">UC13941</a>	BEARING HOUSING W/O BEARINGS - RH		<a href="#">TCA19357</a>	REEL - 5-BLADE - 30 in. - USE W/BM22467	
	<a href="#">UC13942</a>	BUSHING		<a href="#">TCA19356</a>	REEL - 8-BLADE - 26 in. - USE W/BM22466	
	<a href="#">TCA19174</a>	SHIELD - 26 in.		<a href="#">TCA19358</a>	REEL - 8-BLADE - 30 in. - USE W/BM22468	
7	<a href="#">TCA19175</a>	SHIELD - 30 in.				

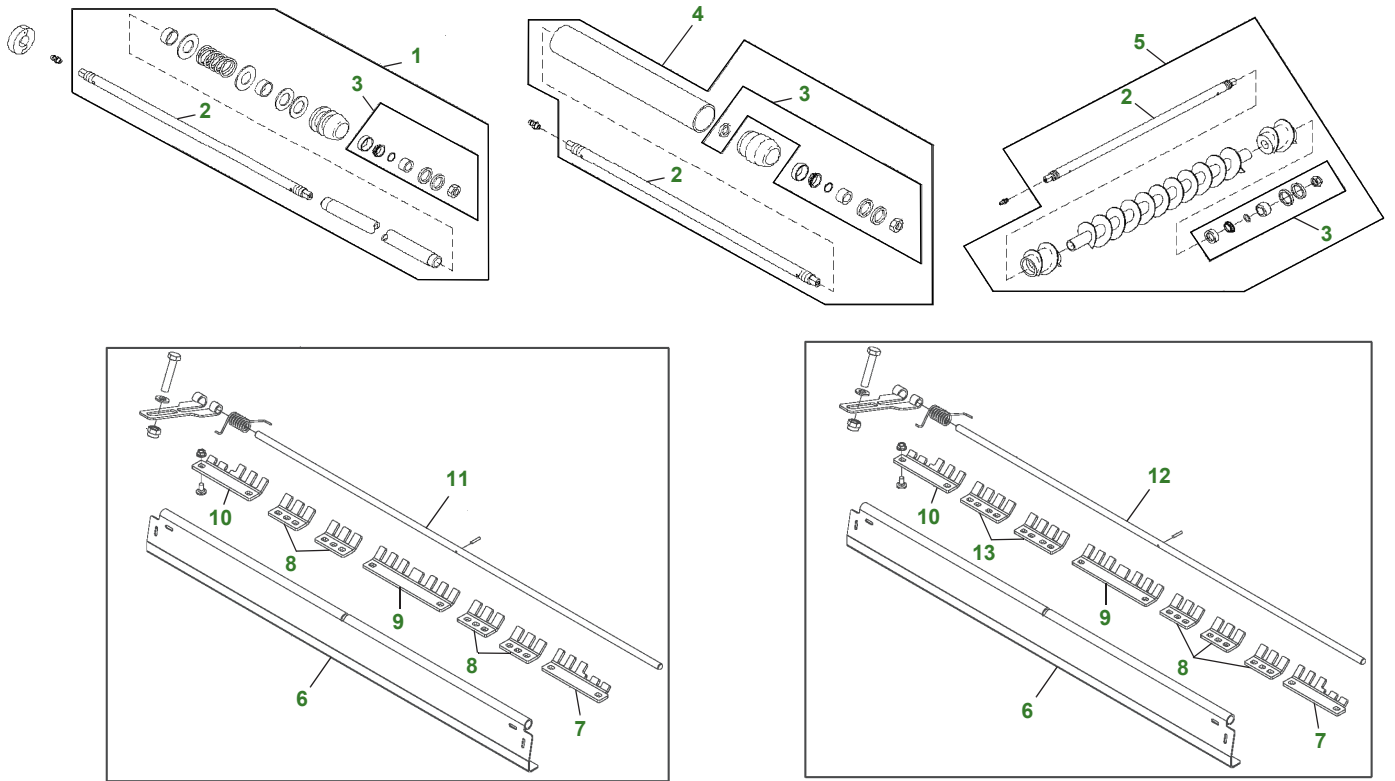
# 7200A PrecisionCut™ Cutting Unit, FTC, Rear Brush and Grass Catcher



Rough Intermediates and Surrounds

Key	Part No.	Description	Key	Part No.	Description
1	<a href="#">MT2622</a>	SEAL	6	<a href="#">TCU32423</a>	SYNCHRONOUS BELT
2	<a href="#">JD8653</a>	BALL BEARING	7	<a href="#">TCU24983</a>	SEAL
3	<a href="#">TCA17898</a>	IDLER GEAR	8	<a href="#">TCA18668</a>	REAR BRUSH KIT
4	<a href="#">TCU24834</a>	BALL BEARING	9	<a href="#">MT2624</a>	KNIFE
5	<a href="#">MT6828</a>	SEAL	10	<a href="#">TCA18835</a>	GRASS CATCHER

# 7200A PrecisionCut™ Cutting Unit Rollers and Scrapers



Rough Intermediates and Surrounds

Key	Part No.	Description	Key	Part No.	Description
1	<a href="#">BM25318</a> .....	ROLLER - GROOVED - 26 in.	6	<a href="#">TCU27070</a> .....	SCRAPER - 30 in.
	<a href="#">BM25319</a> .....	ROLLER - GROOVED - 30 in.		<a href="#">TCU27069</a> .....	SCRAPER - 26 in.
2	<a href="#">ET17514</a> .....	SHAFT - 26 in.	7	<a href="#">MT5159</a> .....	SCRAPER (RH)
	<a href="#">MT1986</a> .....	SHAFT - 30 in.	8	<a href="#">MT2342</a> .....	SCRAPER (4) - 26 in.
3	<a href="#">AET10632</a> .....	SEAL KIT		<a href="#">MT2342</a> .....	SCRAPER (3) - 30 in.
4	<a href="#">BM17671</a> .....	ROLLER - SMOOTH - 26 in.	9	<a href="#">MT2340</a> .....	SCRAPER
	<a href="#">BM18439</a> .....	ROLLER - SMOOTH - 30 in.	10	<a href="#">MT5158</a> .....	SCRAPER (LH)
5	<a href="#">BM19818</a> .....	ROLLER - SPIRAL - 26 in.	11	<a href="#">ET17758</a> .....	ROD - 26 in.
	<a href="#">BM19819</a> .....	ROLLER - SPIRAL - 30 in.	12	<a href="#">MT1982</a> .....	ROD - 30 in.
	<a href="#">AMT1287</a> .....	ROLLER - SPRIAL GROOVED END CAPS - 26 in.	13	<a href="#">MT2341</a> .....	SCRAPER (2) - 30 in.
	<a href="#">AMT1288</a> .....	ROLLER - SPRIAL GROOVED END CAPS - 30 in.			