

9009A TerrainCut™ Rough Mower

Rough Intermediates and Surrounds



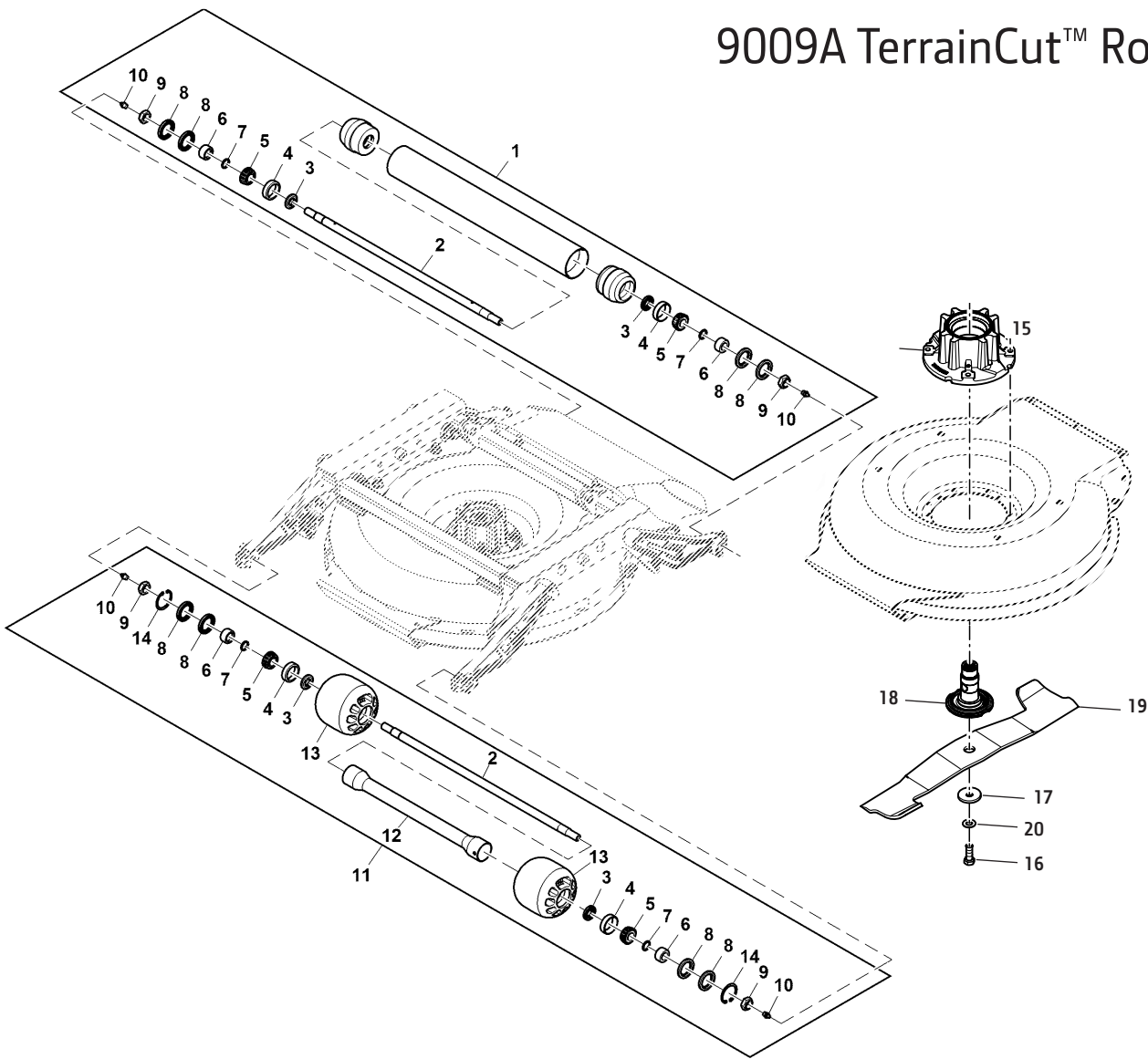
Key	Part No.	Description	Key	Part No.	Description
1	M806419	ENGINE OIL FILTER	8	AUC12681	KEY
2	RE69054	HYDRAULIC OIL FILTER	9	TCA22740	ROTARY SWITCH (S/N - 020000)
3	RE68048	AIR FILTER ELEMENT - PRIMARY		AUC15805	ROTARY SWITCH (S/N 020001-)
4	RE68049	AIR FILTER ELEMENT - SECONDARY	10	TCA24601	FUEL FILLER CAP
5	MIU803127	FUEL FILTER	11	LVU11662	BELT - WATER PUMP
6	MIU803126	WATER FUEL SEPARATOR		TCU30780	BELT - FAN
7	MCYP25876	WET CHARGED BATTERY - NOT FOR CANADA AND USA	12	M811034	THERMOSTAT
	TY25876B	WET CHARGED BATTERY - FOR CANADA AND USA	13	AMT2465	ENGINE COOLANT SENSOR
			14	TCA23641	TIE ROD ENDS

Parts Needed in First 500 hours of Operation

Qty	Part No.	Item	Qty or Capacity	Interval In Hours
2	M806419	Engine Oil Filter	1	250/500
12	TY26674	Plus-50™ II 15W-40 Engine Oil	5.7 L (6 qt)	250/500
1	RE69054	Hydraulic Oil Filter	1	50
1	MIU803127	Fuel Filter	1	500
1	TY25083	John Deere Special Purpose Golf and Turf Cutting Unit Grease (Cutting Unit and Cutting Unit Attachments)		As Needed
1	TY6341	John Deere Multi-Purpose SD Polyurea Grease (Machine components, lift arms and rollers)		As Needed

*Refer to Operators Manual for service intervals if using BioDiesel Fuel and Bio Hy-Gard.

9009A TerrainCut™ Rotary Deck



Key	Part No.	Description	Key	Part No.	Description
1	AUC14183	ROLLER	15	UC15071	HOUSING
2	TCU39718	SHAFT	16	TCU28104	BOLT
3	MT739	SEAL	17	M147138	WASHER
4	JD8226	BEARING CUP	18	AUC11610	ADAPTER
5	JD8188	BEARING CONE	19	TCU38740	MOWER BLADE - LOW LIFT
6	ET15726	SLEEVE		UC12014	MOWER BLADE - LOW LIFT MULCH
7	U46731	O-RING		TCU27401	MOWER BLADE - HIGH LIFT
8	ET15755	SEAL		TCU27876	MOWER BLADE - HIGH LIFT MULCH
9	N101345	LOCK NUT	20	TCU27937	WASHER
10	JD7759	LUBRICATION FITTING			
11	TCA25911	ROLLER			
12	TCA25913	SPACER			
13	TCU38614	ROLLER			
14	40M1863	SNAP RING			

Rough Intermediates and Surrounds