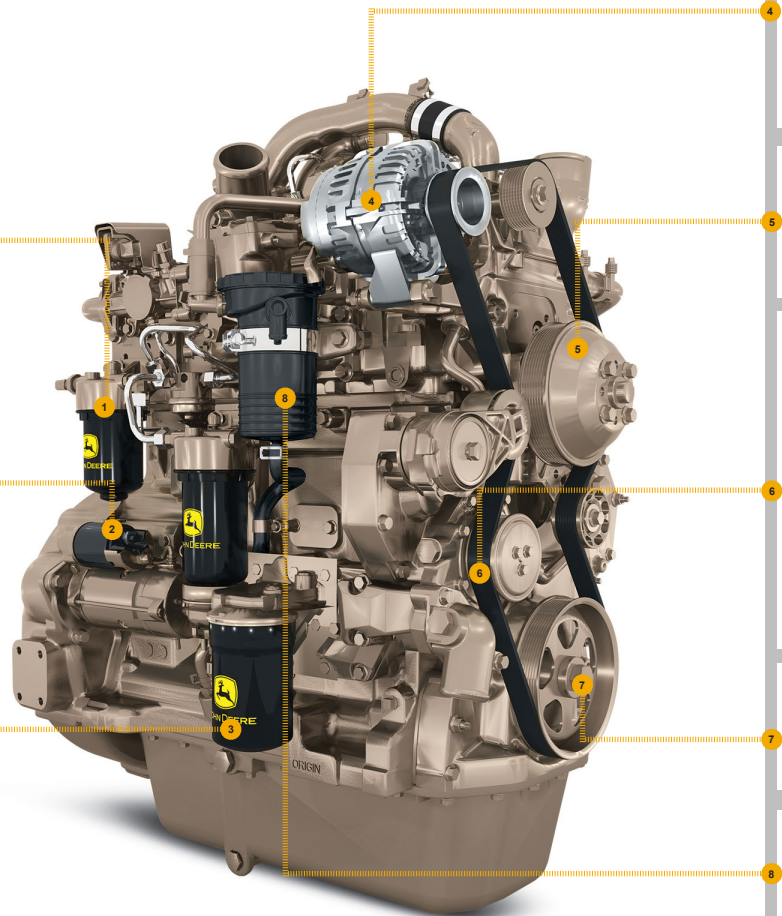




REPLACEMENT PART GUIDE

PowerTech PWX 4.5L 4045HFC95 Diesel OEM Industrial Engine (IT4)



FUEL FILTERS

- [RE544394](#) (35B5) (35B8) (35HA)
- [RE541922](#) (35B8) (35HD) (81AV) (81BC)



STARTER

- [DZ110081](#) (12 V, 3.4 KW) (3075)
- [RE523502](#) (12 V) (3084)
- [DZ110082](#) (24V) (3092)
- [DZ110083](#) (24V, 4 KW) (3096)
- [RE551645](#) (12V) (30AX)
- [RE551644](#) (24 V) (30AY)
- [RE546868](#) (12V, 3,2 KW) (30BA)
- [RE546860](#) (12 V) (30BQ)
- [RE546861](#) (12V, 2.7 KW) (30BR)
- [RE551636](#) (24V, 4.8 KW) (30BY)



OIL FILTER

- [RE504836](#) (8842) (8849)
- 500 hrs of operation or every 12 months.



ALTERNATOR

- [DZ123153](#) (12V, 90 A) (3172)
- [RE537508](#) (12V, 120 A) (3173)
- [RE555751](#) (12V, 200A) (3174)
- [RE558675](#) (24 V; 60 A) (3175)
- [RE558676](#) (24V, 150 A) (3176)
- [RE558678](#) (24V,150 A) (3177)



FAN PULLEY

- [R128660](#) (OD = 168 mm) (8667)
- [R128661](#) (OD = 183.5 mm) (8672)
- [R128659](#) (OD = 154 mm) (8671)



FAN BELT

- [DZ118654](#) (LGTH=2090 MM) (249A)
- [DZ118650](#) (LGTH=1820 MM) (24LA) (24LE)
- [DZ118649](#) (LGTH=1815 MM) (24LC)
- [DZ118563](#) (LGTH=1785 MM) (24LG)
- [R533596](#) (LGTH=1780 MM) (24LJ)
- [DZ118562](#) (LGTH=1775 MM) (24LF)
- [DZ118648](#) (LGTH=1810 MM) (24LD)
- [DZ118606](#) (LGTH=1798 MM) (24LH)
- [DZ118559](#) (LGTH=1700 MM) (249B)
- [DZ118265](#) (LGTH=1805 MM) (24LB) (24LL)
- [DZ118564](#) (LGTH=1790 MM) (24LK)



CRANKSHAFT PULLEY & DAMPER

- [R503880](#) (OD = 189MM) (1327)
- [R545125](#) (OD = 193 mm) (1334)



CRANCKCASE VENT SYSTEM OCV FILTER

- FILTER ELEMENT
- [DZ105796](#) (2989) (29AB)



JOHN DEERE
Genuine Parts and Service



REMAN PARTS GUIDE

PowerTech PWX 4.5L 4045HFC95 Diesel OEM Industrial Engine (IT4)



CYLINDER HEAD

[SE502768](#) (REMAN FOR [RE588246](#)) (5138)

STARTER

[SE501851](#) (REMAN FOR [DZ110081](#))
(12V, 3.4KW) (3075)

[SE502286](#) (REMAN FOR [DZ110082](#))
(24V, 4KW) (3092)

[SE502736](#) (REMAN FOR [RE551644](#))
(24V, 7.8KW) (30AY)

[SE502632](#) (REMAN FOR [RE523502](#))
(12V) (3084)

[SE501851](#) (REMAN FOR [RE507670](#))
(3075)



CONNECTING ROD

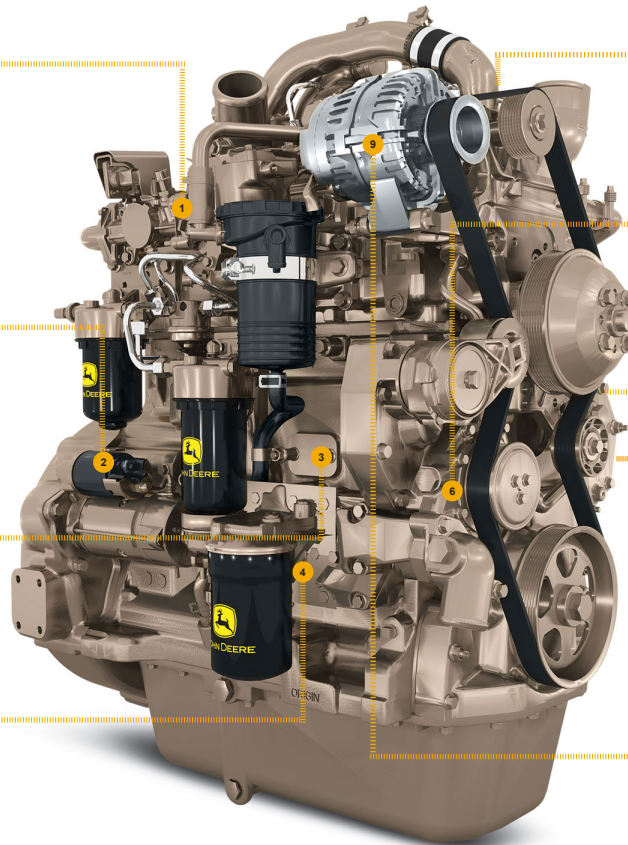
[SE501094](#) (REMAN FOR [RE500608](#))
(4849)



COMPLETE BLOCK ASSEMBLY

[SE502782](#) WITH CODE 3614 AND 4715
[RM100171](#) WITH CODE 3612 AND 4715

*Includes cylinder head with yales and rocker arm assembly, Balancer Shafts, Includes oil pump assembly, complete gasket kit with front and rear seals.



TURBOCHARGER

[SE502815](#) (REMAN FOR [RE571951](#))
(65E7) (65E8)



WATER PUMP

[SE501227](#) (REMAN FOR [RE546918](#))
(4440) (4445)

[SE502816](#) (REMAN FOR [RE546918](#))
(4440) (4445)



CONTROLLER

[SE503035](#) (REMAN FOR [RE551416](#))
(16BB)



FUEL INJECTION PUMP

[SE502769](#) (REMAN FOR [RE543423](#))
(16BB)



ALTERNATOR

[SE502560](#) (REMAN FOR [DZ123153](#))
(14V, 90A) (3172)

[SE502561](#) (REMAN FOR [RE537508](#))
(12V, 120A) (3173)

[SE502680](#) (REMAN FOR [RE555751](#))
(12V, 200A) (3174)

[SE502563](#) (REMAN FOR [RE558676](#))
(24V, 100A) (3176)



*THIS PART IS NOT AVAILABLE IN ALL COUNTRIES - COMPLETE BLOCK ASSEMBLY