



REPLACEMENT PART GUIDE

PowerTech 2.9L 3029DFS29 Power Unit for Gen Set Engine



SHORT BLOCK ASSEMBLY

[DZ102006](#)



OIL FILTER

[T19044](#) (5997)

500 hrs of operation or every 12 months.



FINAL FUEL FILTER

[DZ111797](#) (35K7) USE WITH ENGINE
VARIANT [DZ109091](#)

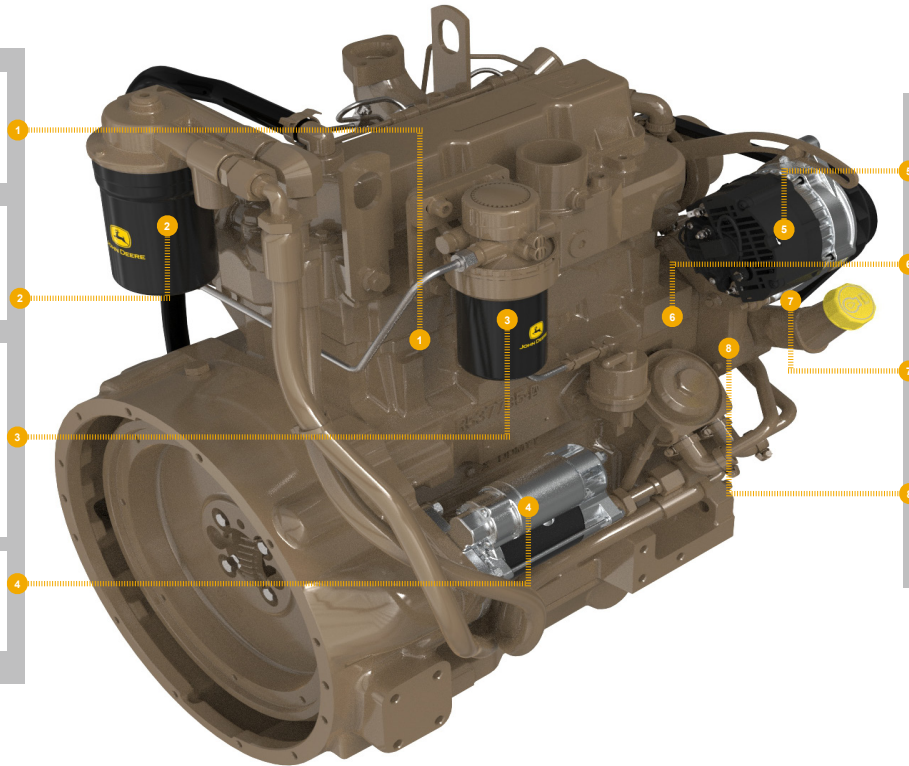
[RE60021](#) (35C6) USE WITH ENGINE
VARIANT [DZ10001](#)

500 hrs of operation or every 12 months.



STARTER

[RE546868](#) (12V, 3.2KW) (30BA)



ALTERNATOR

[RE509106](#) (14V, 65A) (31XX, 3132)



FAN PULLEY

[R110081](#) (OD = 154 mm) (2316)



FAN BELT

[T23526](#) (LGTH = 1257 mm) (24OY)

[R97758](#) (LGTH = 1232 mm) (24KV)



CRANKSHAFT PULLEY

[R534716](#) (OD = 92 mm) (1348)



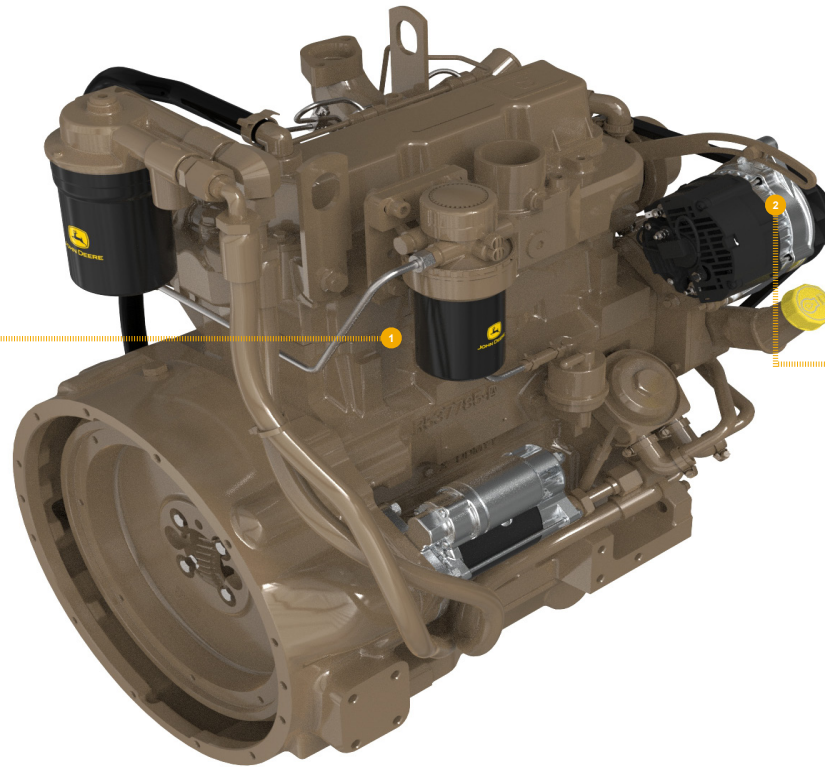
JOHN DEERE

Genuine Parts and Service



REMAN PARTS GUIDE

PowerTech 2.9L 3029DFS29 Power Unit for Gen Set Engine



CONNECTING ROD

[SE501571](#) (REMAN FOR [RE501674](#)) (4813)



ALTERNATOR

[SE501835](#) (REMAN FOR [RE509106](#))
(14V, 65A) (31XX, 3132)



JOHN DEERE
Genuine Parts and Service