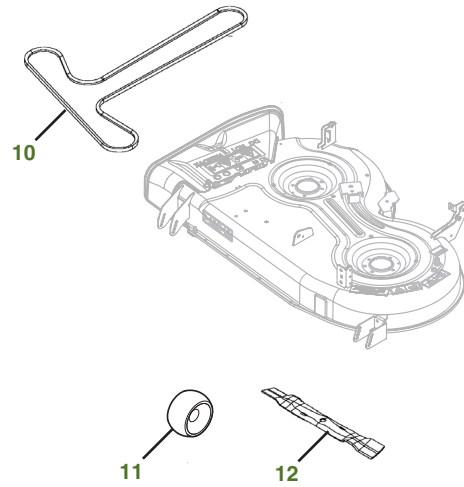
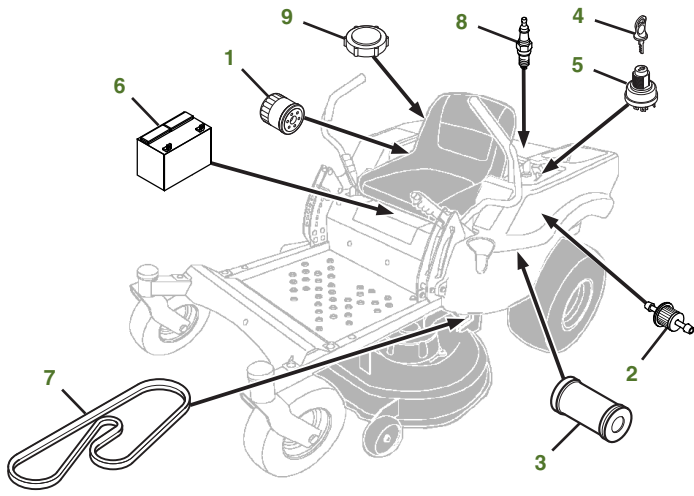


# MAINTENANCE REMINDER SHEET

## Z335E with 42" Accel Deep™ Deck



Tractor S/N

Deck S/N

Key	Part No.	Description	Key	Part No.	Description
1	<a href="#">AM125424</a>	ENGINE OIL FILTER USE WITH Marked Engine 40N8770011G1 / 40N7770018B1 / 40N8770041G1 / 40N7770023B1	6	<a href="#">TY25221</a>	BATTERY
	<a href="#">UC21247</a>	Use with Marked Engine 40N7770031B5	7	<a href="#">GX26401</a>	BELT-TRACTION DRIVE
2	<a href="#">AM116304</a>	FUEL FILTER-IN-LINE	8	<a href="#">MIU11020</a>	SPARK PLUG
3	<a href="#">MIU14395</a>	AIR FILTER	9	<a href="#">GX23465</a>	FUEL CAP
4	<a href="#">AUC12681</a>	KEY	10	<a href="#">GX25628</a>	BELT-MOWER
5	<a href="#">TCA22740</a>	IGNITION SWITCH Use ( - 080000)	11	<a href="#">GX10168</a>	GAGE WHEEL
	<a href="#">AUC12631</a>	IGNITION SWITCH Use (080001 -)	12	<a href="#">M170642</a>	KIT-MULCHING 42"
				<a href="#">CX25668</a>	KIT-BAGGING 42"
				<a href="#">M170639</a>	KIT-SIDE DISCHARGE 42"
				<a href="#">BM24794</a>	MULCHCONTROL™ KIT

### Parts Needed in First 250 Hours of Operation

Qty	Part No	Item	Qty or Capacity	Change Interval In Hours
10	<a href="#">TY22029</a>	Engine Oil Turf-Gard™ 10W30	1.9 L (2 qt)	50/100/150/200/250
5	<a href="#">AM125424</a> <a href="#">UC21247</a>	Engine Oil Filter USE W/ Marked Engine 40N8770011G1 / 40N7770018B1 / 40N8770041G1 / 40N7770023B1 USE W/ Marked Engine 40N7770031B5	1	50/100/150/200/250
2	<a href="#">MIU14395</a>	Air Filter	1	100/200
2	<a href="#">AM116304</a>	Fuel Filter-In-Line	1	100/200
4	<a href="#">MIU11020</a>	Spark Plug	2	100/200
2	<a href="#">TY24416</a>	John Deere Multi-Purpose HD Lithium Complex Grease		As Needed

### "As Needed" Parts

Qty	Part No	Item
1	<a href="#">AM130907</a>	Mower Deck Leveling Gauge
1	<a href="#">TY26517</a>	Grease Gun

### Home Maintenance Kit

Unit	Kit Number
Z335E	<a href="#">LG276</a>

CLICK PART NUMBER TO BUY