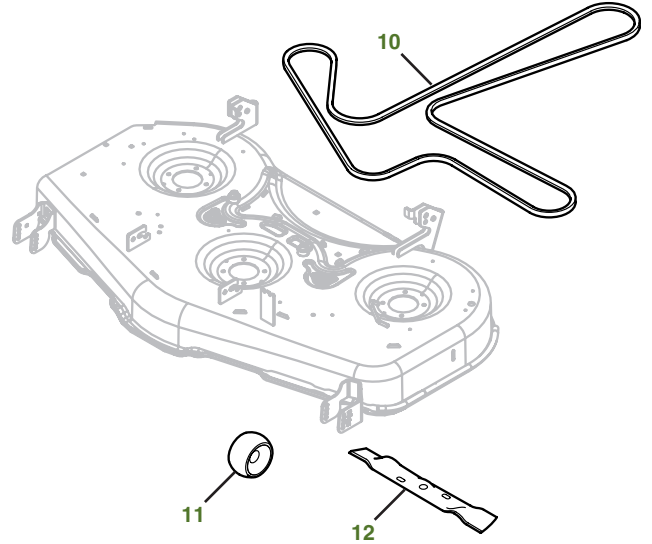
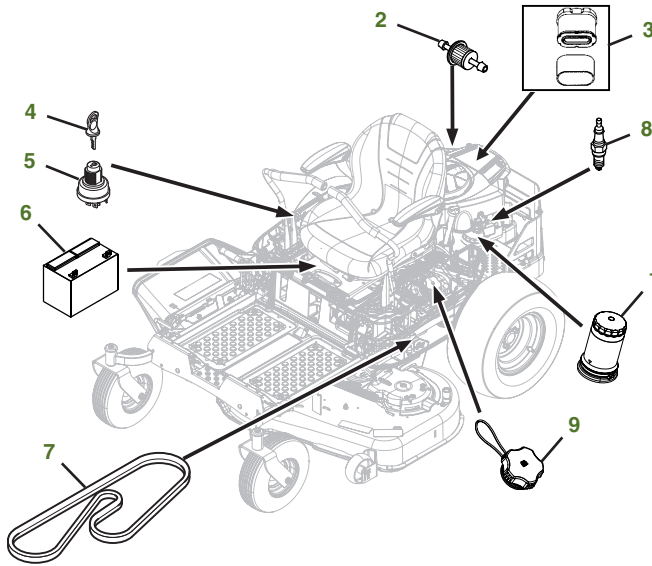


MAINTENANCE REMINDER SHEET

Z365R with 48" Accel Deep™ Deck



Tractor S/N

Deck S/N

Key	Part No.	Description
1	AUC12916	John Deere Easy Change™ Oil System
2	AM116304	FUEL FILTER-IN-LINE
3	MIU11515	AIR FILTER-CARTRIDGE
	MIU11517	AIR FILTER-PRE CLEANER
4	AUC12681	KEY
5	AUC12631	IGNITION SWITCH
6	TY25221A	BATTERY

Key	Part No.	Description
7	GX26401	BELT-TRACTION DRIVE
8	MIU11020	SPARK PLUG
9	AUC12860	FUEL CAP
10	GX26422	BELT-MOWER
11	GX10168	GAGE WHEEL
12	UC25185	BLADE-MULCHING 48"

Parts Needed in First 250 Hours of Operation

Qty	Part No	Item	Qty or Capacity	Change Interval In Hours
2	TY22029	Engine Oil Turf-Gard™ 10W30	1.9 L (2.0 qt)	50/100/150/200/250
1	AUC12916	Engine Oil Filter	1	50/100/150/200/250
1	MIU11515	Air Filter-Cartridge	1	100/200
1	MIU11517	Air Filter-Pre Cleaner	1	100/200
1	AM116304	Fuel Filter-In-Line	1	100/200
2	MIU11020	Spark Plug	2	100/200
1	TY24416	John Deere Multi-Purpose HD Lithium Complex Grease		As Needed

"As Needed" Parts

Qty	Part No	Item
1	AM130907	Mower Deck Leveling Gauge
1	TY26517	Grease Gun

Home Maintenance Kit

Unit	Kit Number
Z365R	AUC13705

CLICK PART NUMBER TO BUY