

Z997R Diesel ZTrak™



Commercial ZTR Mowers

Z997R Diesel ZTrak™

Key	Part No.	Description	Key	Part No.	Description
1	M806419	ENGINE OIL FILTER	8	UC21446	TIRE - REAR
2	MIU800645	FUEL FILTER	9	TCA21693	TIRE - FRONT - CASTER - 15 X 6 - 6
3	M131803	AIR FILTER - SECONDARY	10	TCU32534	FILLER CAP
4	M131802	AIR FILTER - PRIMARY	11	TCA24616	KEY (S/N -020000)
5	TCU34832	BELT - FAN - TIER 4		AUC12681	KEY (S/N 020001-)
6	MCYP25876	WET CHARGED BATTERY - NOT FOR CANADA AND USA	12	TCA22740	IGNITION SWITCH (S/N -020000)
	TY25876B	WET CHARGED BATTERY - FOR CANADA AND USA		AUC15805	IGNITION SWITCH (S/N 020001-)
7	AM123716	RELAY	13	M146082	HYDRAULIC OIL FILTERe

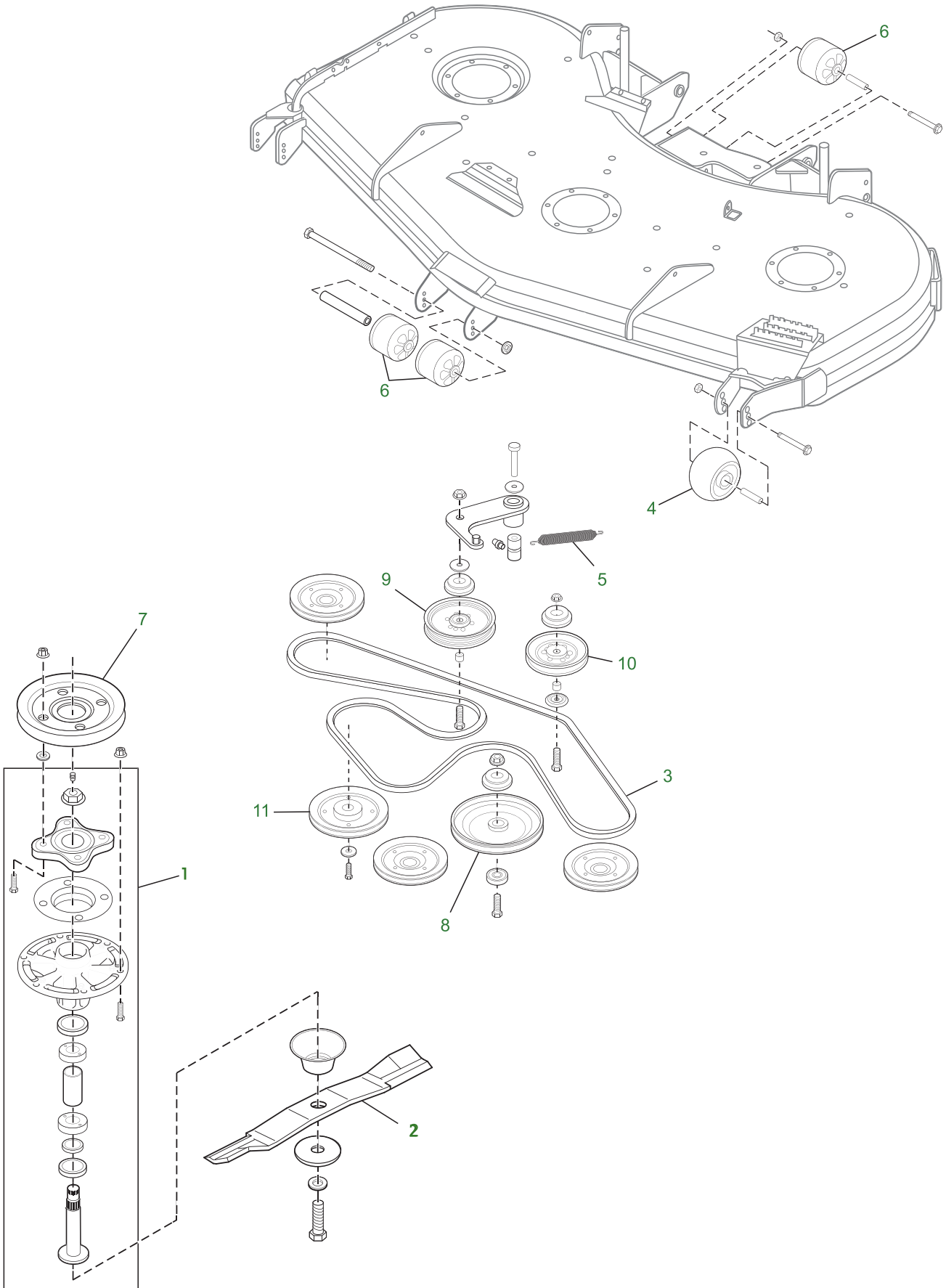
Parts Needed in First 500 Hours of Operation

Qty	Part No.	Item	Qty or Capacity	Interval In Hours
2	M806419	Engine Oil Filter	1	250/500
12	TY26669	John Deere PLUS-50™ Engine Oil 10W-30	5.2 L (5.5 qt)	250/500
1	M146082	Hydraulic Oil Filter	1	500
6	TY6354	Hy-Gard™ Hydraulic Oil	22.8 L (6 gal)	500
1	MIU800645	Fuel Filter	1	500
1	TY6341	Multi-Purpose SD Polyurea Grease (14 oz)		As Needed

Capacities

Engine Oil (with filter)	5.2 L (5.5 qt)
Hydraulic Reservoir	22.8 L (6 gal)
Cooling System	7.1 L (7.5 qt)
Gearbox Oil	0.325 L (0.34 qt)
Grease Gun	TY26518

60 in. / 72 in. Side Discharge decks (Z997R)



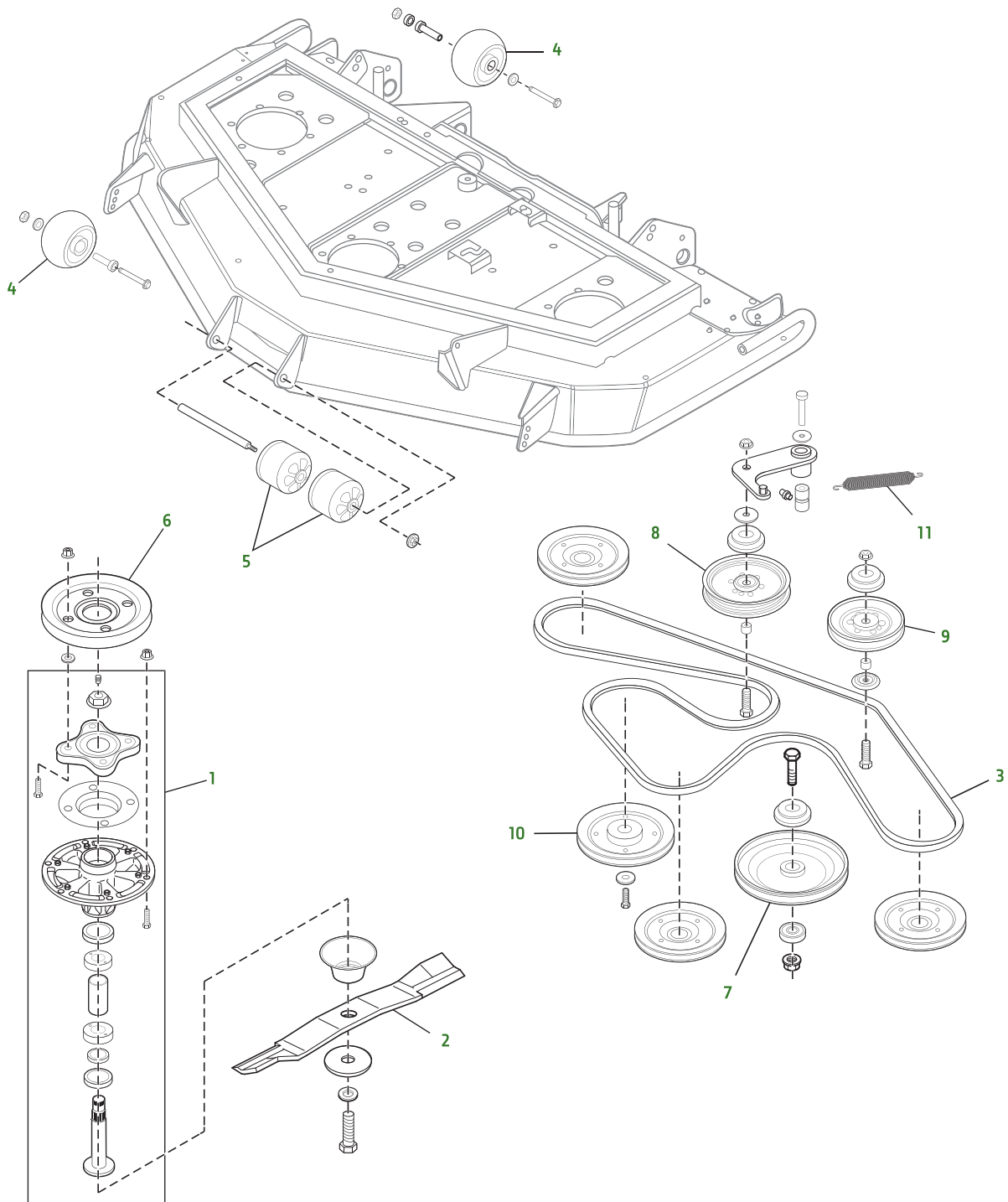
60 in. / 72 in. Side Discharge decks (Z997R)

Key	Part No.	Description	Key	Part No.	Description
1	TCA24881	SPINDLE ASSEMBLY (S/N -020000)	5	TCU16582	EXTENSION SPRING - 60 in.
	TCA25356	CAST IRON SPINDLE (S/N 020001-)		M136044	EXTENSION SPRING - 72 in.
2	TCU15881	BLADE - HIGH LIFT - 60 in.	6	TCU34060	ROLLER
	M133381	BLADE - LOW LIFT - 60 in.	7	DMU211368	PULLEY - 60 in.
	M168223	BLADE - MULCH - 60 in.		TCU51522	PULLEY - 72 in.
	TCU18990	BLADE - MULCH ON DEMAND - 60 in.	8	TCA22540	IDLER
	M128485	BLADE - STANDARD LIFT - 60 in.	9	AUC14088	IDLER - 60 in.
	TCU15882	BLADE - HIGH LIFT - 72 in.		24M7044	WASHER USE WITH AUC14088
	M141669	BLADE - LOW LIFT - 72 in.		AUC16477	IDLER - 72 in.
	M142514	BLADE - MULCH - 72 in.	10	TCA17540	IDLER - 60 in.
3	DMU210282	BELT - SIDE DISCHARGE - 60 in.		AN15237	IDLER - 72 in.
	TCU19900	BELT - SIDE DISCHARGE - 72 in.	11	DMA210184	PULLEY - 60 in.
4	TCU18744	GAGE WHEEL		DMA210668	PULLEY - 72 in.

Frequently Used Items

Qty	Part No.	Item
1	TCA24881 TCA25356	SPINDLE ASSEMBLY (S/N -020000) CAST IRON SPINDLE (S/N 020001-)
3	TCU15881	Blade - High Lift - 60 in.
3	M133381	Blade - Low Lift - 60 in.
3	M168223	Blade - Mulch - 60 in.
3	TCU18990	Blade - Mulch On Demand - 60 in.
3	M128485	Blade - Standard Lift - 60 in.
3	TCU15882	Blade - High Lift - 72 in.
3	M141669	Blade - Low Lift - 72 in.
3	M142514	Blade - Mulch - 72 in.
1	DMU210282	Belt - Side Discharge - 60 in.
1	TCU19900	Belt - Side Discharge - 72 in.

60 in. Rear Discharge deck (Z997R)



60 in. Rear Discharge deck (Z997R)

Key	Part No.	Description	Key	Part No.	Description
1	TCA24881	SPINDLE ASSEMBLY (S/N -020000)	7	TCA22540	IDLER
	TCA25356	CAST IRON SPINDLE (S/N 020001-)	8	AUC14088	IDLER
2	M128485	BLADE - STANDARD LIFT		24M7044	WASHER USE WITH AUC14088
	M133381	BLADE - LOW LIFT	9	TCA17540	IDLER
3	DMU210479	BELT	10	DMA210184	PULLEY
4	M111489	GAGE WHEEL	11	TCU16582	EXTENSION SPRING
5	M115245	ROLLER			
6	DMU210345	IDLER			

Frequently Used Items

Qty	Part No.	Item
3	TCA24881 TCA25356	SPINDLE ASSEMBLY (S/N -020000) CAST IRON SPINDLE (S/N 020001-)
3	M128485	Blade - Standard Lift
3	M133381	Blade - Low Lift
1	DMU210479	Belt